

## TECHNICAL PUBLICATION DEPARTMENT

61, RUE PIERRE CURIE - CS20001

78373 PLAISIR CEDEX - FRANCE

Phone: + 33 (0)1 61 34 23 23 - Fax: +33 (0)1 61 34 21 13

---

## TRANSMITTAL SHEET

---

The Revision No. 13 of Component Maintenance Manual (CMM) 25-11-79, dated JUL 23/18 is attached and covers all components held by every operator.

### FILING INSTRUCTIONS

Make sure that the content of the manual is in compliance with the "LIST OF EFFECTIVE PAGES"  
File this "TRANSMITTAL LETTER" separately.

### ASSISTANCE INFORMATION

All questions or comments concerning this publication may be addressed to:

ZODIAC AEROSPACE SERVICES  
TECHNICAL PUBLICATION DEPARTMENT

61, rue Pierre Curie

CS 20001

78373 PLAISIR Cedex

FRANCE

Phone: 33 1 61 34 23 23

Fax international: +33 1 61 34 21 13

Web site: [www.zodiacaerospace.com](http://www.zodiacaerospace.com)

E mail: [zs.tac@zodiacaerospace.com](mailto:zs.tac@zodiacaerospace.com)

### REASONS FOR ISSUE:

Miscellaneous corrections.

Wording correction following ASD-STE.

Electrical harness assembly. P/N 150621 becomes P/N 153616.

Restraint system assembly. removal and installation procedures corrected.

Adjustment of the stop screw procedure corrected.

Application of SB 161-25-140 corrected.

THIS PAGE INTENTIONALLY LEFT BLANK

Z. I. La Limoise  
Rue Robert MARECHAL Senior - BP 69  
36100 ISSOUDUN - France  
Phone: + 33 2 54 03 39 39  
Fax: + 33 2 54 03 39 00

**(F0465)**

**COMPONENT MAINTENANCE MANUAL  
WITH ILLUSTRATED PARTS LIST**

**CABIN ATTENDANT SEATS**

**PART NUMBER  
RL-SERIES**

© Copyright ZODIAC SEATS FRANCE

The data and information contained in this document are proprietary rights of ZODIAC SEATS FRANCE. This document is given in confidence and may not be reproduced, stored in a retrieval system, or transmitted to a third party, in any form or by any means, electronic, mechanical, photocopying, or otherwise, without the prior written permission of ZODIAC SEATS FRANCE.

Any unauthorized copy, distribution or utilization is illegal according to Article L 122-4 and L 335-2 of the "Code de la Propriété Intellectuelle" and to international agreements related to proprietary rights.

**Zodiac Seats France**  
**COMPONENT MAINTENANCE MANUAL**  
**RL-SERIES**

**RECORD OF REVISIONS**

REV No	ISSUE DATE	INSERTED		REV No	ISSUE DATE	INSERTED	
		DATE	BY			DATE	BY
0	-	-	SICMA				
1	MAY /98	MAY /98	SICMA				
2	JAN /99	JAN /99	SICMA				
3	OCT /99	OCT /99	SICMA				
4	MAY /00	MAY /00	SICMA				
5	DEC /00	DEC /00	SICMA				
6	NOV /01	NOV /01	SICMA				
7	JUN /03	JUN /03	SICMA				
8	AUG /05	AUG /05	SICMA				
9	APR 03/06	APR 03/06	SICMA				
10	MAY 31/07	MAY 31/07	SICMA				
11	MAY 12/11	MAY 12/11	ZS				
12	APR 11/13	APR 11/13	ZS				
13	JUL 23/18	JUL 23/18	ZS				

**Zodiac Seats France**  
**COMPONENT MAINTENANCE MANUAL**  
**RL-SERIES**

THIS PAGE INTENTIONALLY LEFT BLANK

**25-11-79**

ROR Page 2  
Jul 23/18

**Zodiac Seats France**  
**COMPONENT MAINTENANCE MANUAL**  
**RL-SERIES**

**RECORD OF TEMPORARY REVISION**

TEMP REV NO.	ISSUE DATE	INSERTED		REMOVED		PAGE No.
		DATE	BY	DATE	BY	

**Zodiac Seats France**  
**COMPONENT MAINTENANCE MANUAL**  
**RL-SERIES**

THIS PAGE INTENTIONALLY LEFT BLANK

**25-11-79**

RTR Page 2  
Jul 23/18

**Zodiac Seats France**  
**COMPONENT MAINTENANCE MANUAL**  
**RL-SERIES**

**SERVICE BULLETIN LIST**

SB/SIL No.	REV No.	ISSUE DATE	INCORP. DATE	TITLE
153-25-020	1		FEB 25/97	HEADREST CHANGE
153-25-025	0		NOV 05/97	RETAINER CABLE REPLACEMENT
153-25-035	0		JUN 16/98	COVERS CHANGE
153-25-038	1		JUL 06/01	TEFLON TAPES INSTALLATION
153-25-041	0		JAN 31/01	HEADREST CHANGE
153-25-054	0		OCT 01/01	BOTTOM STOP CHANGE
153-25-065	0		APR 28/03	SEAT CONVERSION (FOR SEAT P/N RL27FYF3YS00074)
153-25-068	1		JUL 13/04	SPRING CHANGE
153-25-086	0		JAN 26/05	SEAT CONVERSION (FOR SEAT P/N RL27FYU3YS10076)
153-25-094	0		JUL 07/05	SEAT CONVERSION (FOR SEAT P/N RL47FYA3YS00046)
161-25-108	0		JUL 07/06	COVERS REPLACEMENT
160-25-104	0		FEB 19/07	HEADREST LATCH REPLACEMENT
161-25-143	1		AUG 06/09	COVERS AND RESTRAINT SYSTEM REPLACEMENT AND SEAT COLOR CHANGE RL27FYF3YS00054 BECOMES RL27FYU3YS00168 (SEE CMM RL-SERIES ATA CODE 25-12-13) RL27FYU3YS00054 BECOMES RL27FYU3YS00168 (SEE CMM RL-SERIES ATA CODE 25-12-13)
161-25-146	3		JAN 18/10	COVERS REPLACEMENT AND SEAT COLOR CHANGE RL27FYF31S00056 BECOMES RL27FYF31S00167 (SEE CMM RL-SERIES ATA CODE 25-12-13) RL27FYU3YS10056 BECOMES RL27FYU3YS10167 (SEE CMM RL-SERIES ATA CODE 25-12-13)
160-25-149	1		APR 15/10	COVERS AND RESTRAINT SYSTEM REPLACEMENT AND SEAT COLOR CHANGE RL27FYU3YS00055 BECOMES RL27FYU3YS00174 (SEE CMM RL-SERIES ATA CODE 25-12-13)
161-25-140	5		MAR 28/11	OBSOLESCENCE OF AUTOFLUG RESTRAINT SYSTEMS

**Zodiac Seats France**  
**COMPONENT MAINTENANCE MANUAL**  
**RL-SERIES**

**SERVICE BULLETIN LIST (Cont'd)**

SB/SIL No.	REV No.	ISSUE DATE	INCORP. DATE	TITLE
161-25-169	0		FEB 20/13	COVERS AND RESTRAINT SYSTEM REPLACEMENT AND ADDITION OF BUMPER RL47FYF31S00057 BECOMES RL47FYF31S10S05 RL47FYF31S10057 BECOMES RL47FYF31S10S05

**Zodiac Seats France**  
**COMPONENT MAINTENANCE MANUAL**  
**RL-SERIES**

**LIST OF EFFECTIVE PAGES**

<u>SUBJECT</u>	<u>PAGE</u>	<u>DATE</u>	<u>SUBJECT</u>	<u>PAGE</u>	<u>DATE</u>
TITLE PAGE	1	Jul 23/18		10	Jul 23/18
	2	Jul 23/18		11	Jul 23/18
RECORD OF REVISIONS	RR-1	Jul 23/18		12	Jul 23/18
	RR-2	Blank		13	Jul 23/18
RECORD OF TEMPORARY REVISIONS	1	Jul 23/18		14	Jul 23/18
	2	Blank		15	Jul 23/18
SERVICE BULLETIN LIST	1	Jul 23/18		16	Jul 23/18
	2	Jul 23/18		17	Jul 23/18
LIST OF EFFECTIVE PAGES	1	Jul 23/18		18	Blank
	2	Jul 23/18		19	Jul 23/18
	3	Jul 23/18		20	Jul 23/18
	4	Jul 23/18		21	Jul 23/18
	5	Jul 23/18		22	Jul 23/18
	6	Blank		23	Jul 23/18
TABLE OF CONTENTS	1	Jul 23/18		24	Jul 23/18
	2	Jul 23/18		25	Jul 23/18
	3	Jul 23/18		26	Jul 23/18
	4	Blank		27	Jul 23/18
TABLE OF FIGURES	1	Jul 23/18		28	Jul 23/18
	2	Jul 23/18		29	Jul 23/18
	3	Jul 23/18		30	Jul 23/18
	4	Blank		31	Jul 23/18
INTRODUCTION	INTRO 1	Jul 23/18		32	Jul 23/18
	INTRO 2	Jul 23/18		33	Jul 23/18
	INTRO 3	Jul 23/18		34	Jul 23/18
	INTRO 4	Jul 23/18	TESTING AND FAULT	1001	Jul 23/18
	INTRO 5	Jul 23/18	ISOLATION	1002	Jul 23/18
	INTRO 6	Blank		1003	Jul 23/18
DESCRIPTION AND OPERATION	1	Jul 23/18		1004	Jul 23/18
	2	Blank		1005	Jul 23/18
	3	Jul 23/18		1006	Jul 23/18
	4	Blank		1007	Jul 23/18
	5	Jul 23/18		1008	Blank
	6	Jul 23/18	SCHEMATICS AND WIRING	2001	Jul 23/18
	7	Jul 23/18	DIAGRAMS	2002	Blank
	8	Jul 23/18		2003	Jul 23/18
	9	Jul 23/18		2004	Jul 23/18

**Zodiac Seats France**  
**COMPONENT MAINTENANCE MANUAL**  
**RL-SERIES**

**LIST OF EFFECTIVE PAGES (Cont'd)**

<u>SUBJECT</u>	<u>PAGE</u>	<u>DATE</u>	<u>SUBJECT</u>	<u>PAGE</u>	<u>DATE</u>
	2005	Jul 23/18		6007	Jul 23/18
	2006	Blank		6008	Jul 23/18
DISASSEMBLY	3001	Jul 23/18		6009	Jul 23/18
	3002	Jul 23/18		6010	Jul 23/18
	3003	Jul 23/18		6011	Jul 23/18
	3004	Jul 23/18		6012	Jul 23/18
	3005	Jul 23/18		6013	Jul 23/18
	3006	Jul 23/18		6014	Jul 23/18
	3007	Jul 23/18		6015	Jul 23/18
	3008	Jul 23/18		6016	Jul 23/18
	3009	Jul 23/18		6017	Jul 23/18
	3010	Jul 23/18		6018	Jul 23/18
	3011	Jul 23/18		6019	Jul 23/18
	3012	Jul 23/18		6020	Jul 23/18
	3013	Jul 23/18		6021	Jul 23/18
	3014	Jul 23/18		6022	Jul 23/18
CLEANING	4001	Jul 23/18		6023	Jul 23/18
	4002	Jul 23/18		6024	Jul 23/18
	4003	Jul 23/18		6025	Jul 23/18
	4004	Jul 23/18		6026	Jul 23/18
	4005	Jul 23/18		6027	Jul 23/18
	4006	Jul 23/18		6028	Jul 23/18
	4007	Jul 23/18		6029	Jul 23/18
	4008	Jul 23/18		6030	Jul 23/18
CHECK	5001	Jul 23/18		6031	Jul 23/18
	5002	Jul 23/18		6032	Jul 23/18
	5003	Jul 23/18		6033	Jul 23/18
	5004	Jul 23/18		6034	Jul 23/18
	5005	Jul 23/18		6035	Jul 23/18
	5006	Jul 23/18		6036	Jul 23/18
	5007	Jul 23/18		6037	Jul 23/18
	5008	Jul 23/18		6038	Jul 23/18
REPAIR	6001	Jul 23/18		6039	Jul 23/18
	6002	Jul 23/18		6040	Jul 23/18
	6003	Jul 23/18		6041	Jul 23/18
	6004	Jul 23/18		6042	Jul 23/18
	6005	Jul 23/18		6043	Jul 23/18
	6006	Jul 23/18		6044	Jul 23/18

**Zodiac Seats France**  
**COMPONENT MAINTENANCE MANUAL**  
**RL-SERIES**

**LIST OF EFFECTIVE PAGES (Cont'd)**

<u>SUBJECT</u>	<u>PAGE</u>	<u>DATE</u>	<u>SUBJECT</u>	<u>PAGE</u>	<u>DATE</u>
	6045	Jul 23/18		7002	Jul 23/18
	6046	Jul 23/18		7003	Jul 23/18
	6047	Jul 23/18		7004	Jul 23/18
	6048	Jul 23/18		7005	Jul 23/18
	6049	Jul 23/18		7006	Jul 23/18
	6050	Jul 23/18		7007	Jul 23/18
	6051	Jul 23/18		7008	Jul 23/18
	6052	Jul 23/18		7009	Jul 23/18
	6053	Jul 23/18		7010	Jul 23/18
	6054	Jul 23/18		7011	Jul 23/18
	6055	Jul 23/18		7012	Jul 23/18
	6056	Jul 23/18		7013	Jul 23/18
	6057	Jul 23/18		7014	Jul 23/18
	6058	Jul 23/18		7015	Jul 23/18
	6059	Jul 23/18		7016	Jul 23/18
	6060	Jul 23/18	FITS AND CLEARANCES	8001	Jul 23/18
	6061	Jul 23/18		8002	Blank
	6062	Jul 23/18	SPECIAL TOOLS,	9001	Jul 23/18
	6063	Jul 23/18	FIXTURES, EQUIPMENT	9002	Blank
	6064	Jul 23/18	AND CONSUMABLES	9003	Jul 23/18
	6065	Jul 23/18		9004	Jul 23/18
	6066	Jul 23/18		9005	Jul 23/18
	6067	Jul 23/18		9006	Blank
	6068	Jul 23/18	STORAGE	15001	Jul 23/18
	6069	Jul 23/18		15002	Jul 23/18
	6070	Jul 23/18	ILLUSTRATED PARTS LIST	1	Jul 23/18
	6071	Jul 23/18	IPL 10001	2	Blank
	6072	Jul 23/18	INTRO 10001	1	Jul 23/18
	6073	Jul 23/18		2	Jul 23/18
	6074	Jul 23/18		3	Jul 23/18
	6075	Jul 23/18		4	Jul 23/18
	6076	Jul 23/18		5	Jul 23/18
	6077	Jul 23/18		6	Jul 23/18
	6078	Jul 23/18		7	Jul 23/18
	6079	Jul 23/18		8	Blank
	6080	Blank	VCI 10001	1	Jul 23/18
ASSEMBLY	7001	Jul 23/18			

**Zodiac Seats France**  
**COMPONENT MAINTENANCE MANUAL**  
**RL-SERIES**

**LIST OF EFFECTIVE PAGES (Cont'd)**

<u>SUBJECT</u>	<u>PAGE</u>	<u>DATE</u>	<u>SUBJECT</u>	<u>PAGE</u>	<u>DATE</u>
	2	Blank		10001D-2	Jul 23/18
NI/ALPHA 10001	1	Jul 23/18		10001D-3	Jul 23/18
	2	Jul 23/18		10001D-4	Jul 23/18
	3	Jul 23/18		10001D-5	Jul 23/18
	4	Jul 23/18		10001D-6	Jul 23/18
	5	Jul 23/18		10001D-7	Jul 23/18
	6	Jul 23/18		10001D-8	Jul 23/18
	7	Jul 23/18		10001D-9	Blank
	8	Jul 23/18		10002-0	Jul 23/18
	9	Jul 23/18		10002-1	Jul 23/18
	10	Jul 23/18		10002A-0	Jul 23/18
	11	Jul 23/18		10002A-1	Jul 23/18
	12	Jul 23/18		10002A-2	Jul 23/18
	13	Jul 23/18		10002A-3	Jul 23/18
	14	Jul 23/18		10002A-4	Jul 23/18
	15	Jul 23/18		10002A-5	Blank
	16	Blank		10002B-0	Jul 23/18
DPL 10001	1	Jul 23/18		10002B-1	Jul 23/18
	10001-0	Jul 23/18		10002B-2	Jul 23/18
	10001-1	Jul 23/18		10002B-3	Jul 23/18
	10001A-0	Jul 23/18		10002B-4	Jul 23/18
	10001A-1	Jul 23/18		10002B-5	Blank
	10001A-2	Jul 23/18		10003-0	Jul 23/18
	10001A-3	Jul 23/18		10003-1	Jul 23/18
	10001A-4	Jul 23/18		10003-2	Jul 23/18
	10001A-5	Jul 23/18		10003-3	Jul 23/18
	10001B-0	Jul 23/18		10003-4	Jul 23/18
	10001B-1	Jul 23/18		10003-5	Jul 23/18
	10001B-2	Jul 23/18		10003-6	Jul 23/18
	10001B-3	Jul 23/18		10003-7	Jul 23/18
	10001B-4	Jul 23/18		10004-0	Jul 23/18
	10001B-5	Jul 23/18		10004-1	Jul 23/18
	10001C-0	Jul 23/18		10005-0	Jul 23/18
	10001C-1	Jul 23/18		10005-1	Jul 23/18
	10001C-2	Jul 23/18		10005-2	Jul 23/18
	10001C-3	Blank		10005-3	Blank
	10001D-0	Jul 23/18		10006-0	Jul 23/18
	10001D-1	Jul 23/18		10006-1	Jul 23/18

**Zodiac Seats France**  
**COMPONENT MAINTENANCE MANUAL**  
**RL-SERIES**

**LIST OF EFFECTIVE PAGES (Cont'd)**

<u>SUBJECT</u>	<u>PAGE</u>	<u>DATE</u>	<u>SUBJECT</u>	<u>PAGE</u>	<u>DATE</u>
	10007-0	Jul 23/18			
	10007-1	Jul 23/18			
	10007-2	Jul 23/18			
	10007-3	Jul 23/18			
	10007-4	Jul 23/18			

**Zodiac Seats France**  
**COMPONENT MAINTENANCE MANUAL**  
**RL-SERIES**

THIS PAGE INTENTIONALLY LEFT BLANK

**25-11-79**

LEP Page 6  
Jul 23/18

**Zodiac Seats France**  
**COMPONENT MAINTENANCE MANUAL**  
**RL-SERIES**

**TABLE OF CONTENTS**

INTRODUCTION .....	INTRO 1
1. GENERAL .....	INTRO 1
A. Information .....	INTRO 1
B. How to Use the Manual .....	INTRO 1
C. Modification .....	INTRO 2
D. Manual guidelines .....	INTRO 3
E. Measurements .....	INTRO 3
F. Abbreviations .....	INTRO 4
G. Manufacturing .....	INTRO 5
DESCRIPTION AND OPERATION .....	1
1. DESCRIPTION .....	1
A. General description .....	1
B. Seat Basic Structure .....	1
C. Headrest .....	1
D. Backrest .....	1
E. Stowage Compartment .....	1
2. OPERATION .....	3
A. Deployment .....	3
B. Storage .....	3
3. FIRE BLOCKING INFORMATION .....	5
A. Fireblocking liner (if applicable) .....	5
B. Repair to liners (if applicable) .....	5
C. Dress covers .....	6
D. Cushions .....	6
4. SEATS WEIGHTS .....	7
5. DIMENSIONS .....	19
6. SEAT IDENTIFICATION PLATE .....	21
7. EDGE AND FLAT PADDINGS .....	23
TESTING AND FAULT ISOLATION .....	1001
1. TESTING .....	1001
A. Reason for the job .....	1001
B. Job set-up information .....	1001
C. Procedure .....	1002
2. FAULT ISOLATION .....	1003
A. General .....	1003
B. Fault isolation chart .....	1004

**Zodiac Seats France**  
**COMPONENT MAINTENANCE MANUAL**  
**RL-SERIES**

**TABLE OF CONTENTS (Cont'd)**

SCHMATICS AND WIRING DIAGRAMS .....	2001
1. ELECTRICAL DIAGRAM .....	2001
2. WIRING INSTALLATION .....	2003
A. For seats RL27 type, (Refer to Fig. 2002) .....	2003
DISASSEMBLY .....	3001
1. DISASSEMBLY .....	3001
A. Reason for the job .....	3001
B. Job set-up information .....	3001
C. Procedure .....	3002
CLEANING .....	4001
1. CLEANING .....	4001
A. Reason for the job .....	4001
B. Job set-up information .....	4001
C. Procedure .....	4002
CHECK .....	5001
1. CHECK .....	5001
A. Reason for the job .....	5001
B. Job set-up information .....	5001
C. Procedure .....	5002
REPAIR .....	6001
1. REPAIR .....	6001
A. Reason for the job .....	6001
B. Job set-up information .....	6001
C. Procedure .....	6003
ASSEMBLY .....	7001
1. ASSEMBLY .....	7001
A. Reason for the job .....	7001
B. Job set-up information .....	7001
C. Procedure .....	7002
FITS AND CLEARANCES .....	8001
1. FITS AND CLEARANCES .....	8001

**Zodiac Seats France**  
**COMPONENT MAINTENANCE MANUAL**  
**RL-SERIES**

**TABLE OF CONTENTS (Cont'd)**

A. Torque values .....	8001
SPECIAL TOOLS, FIXTURES, EQUIPMENT AND CONSUMABLES .....	9001
1. SPECIAL TOOLS, FIXTURES AND EQUIPMENT .....	9001
A. Special tools .....	9001
B. Special fixtures and equipment .....	9001
2. CONSUMABLES .....	9003
STORAGE .....	15001
1. STORAGE .....	15001
A. Reason for the job .....	15001
B. Job set-up information .....	15001
C. Job set-up .....	15001
D. Procedure .....	15002
ILLUSTRATED PARTS LIST .....	IPL 10001 1
INTRODUCTION TO THE ILLUSTRATED PARTS LIST .....	INTRO 10001 1
VENDOR'S CODE INDEX .....	VCI 10001 1
ALPHA NUMERICAL INDEX .....	NI/ALPHA 10001 1
DETAILED PARTS LIST .....	DPL 10001 1

**Zodiac Seats France**  
**COMPONENT MAINTENANCE MANUAL**  
**RL-SERIES**

THIS PAGE INTENTIONALLY LEFT BLANK

**Zodiac Seats France**  
**COMPONENT MAINTENANCE MANUAL**  
**RL-SERIES**

**TABLE OF FIGURES**

<u>Figure</u>		<u>Page</u>
<b>DESCRIPTION AND OPERATION</b>		
1	DIMENSIONS - ROTATING SEATS (WITH INTERCOM) (SHEET 1) .....	19
1	DIMENSIONS - ROTATING SEATS (WITH INTERCOM) (SHEET 2) .....	20
2	SEAT IDENTIFICATION PLATE (VALID UNTIL AUGUST 31, 2004) .....	21
3	SEAT IDENTIFICATION PLATE (VALID FROM SEPTEMBER 01, 2004) .....	22
4	EDGE AND FLAT PADDINGS .....	23
<b>TESTING AND FAULT ISOLATION</b>		
1001	CONTINUITY TEST .....	1002
1002	FAULT ISOLATION FLOWCHART - SEAT ASSEMBLY (SHEET 1) .....	1005
1002	FAULT ISOLATION FLOWCHART - SEAT ASSEMBLY (SHEET 2) .....	1006
1002	FAULT ISOLATION FLOWCHART - SEAT ASSEMBLY (SHEET 2) .....	1006
1002	FAULT ISOLATION FLOWCHART - SEAT ASSEMBLY (SHEET 3) .....	1007
1002	FAULT ISOLATION FLOWCHART - SEAT ASSEMBLY (SHEET 3) .....	1007
<b>SCHEMATICS AND WIRING DIAGRAMS</b>		
2001	ELECTRICAL DIAGRAM - ROTATING SEATS .....	2001
2002	WIRING INSTALLATION - RL 27 TYPE (SHEET 1) .....	2003
2002	WIRING INSTALLATION - RL 27 TYPE (SHEET 2) .....	2004
2002	WIRING INSTALLATION - RL 27 TYPE (SHEET 2) .....	2004
2002	WIRING INSTALLATION - RL 27 TYPE (SHEET 3) .....	2005
2002	WIRING INSTALLATION - RL 27 TYPE (SHEET 3) .....	2005
<b>DISASSEMBLY</b>		
3001	PROCEDURE FOR THE OLD SPRING P/N 153500-03 REMOVAL .....	3004
3002	PROCEDURE FOR THE OLD SPRING P/N 153500-03 REMOVAL .....	3005
3003	PROCEDURE FOR THE OLD SPRING P/N 153500-03 REMOVAL .....	3006
3004	PROCEDURE FOR THE OLD SPRING P/N 153500-03 REMOVAL .....	3006
3005	PROCEDURE FOR THE OLD SPRING P/N 153500-03 REMOVAL .....	3007
3006	PROCEDURE FOR THE OLD SPRING P/N 153500-03 REMOVAL .....	3007
3007	PROCEDURE FOR THE OLD SPRING P/N 153500-03 REMOVAL .....	3008
3008	PROCEDURE FOR THE OLD SPRING P/N 153500-03 REMOVAL .....	3008
3009	PROCEDURE FOR THE NEW SPRING P/N 183100-160-2 REMOVAL .....	3009
3010	PROCEDURE FOR ELECTRICAL HARNESS REPLACEMENT .....	3010
3011	PROCEDURE FOR ELECTRICAL HARNESS REPLACEMENT .....	3011
3012	PROCEDURE FOR ELECTRICAL HARNESS REPLACEMENT .....	3012
3013	PROCEDURE FOR ELECTRICAL HARNESS REPLACEMENT .....	3013

**Zodiac Seats France**  
**COMPONENT MAINTENANCE MANUAL**  
**RL-SERIES**

**TABLE OF FIGURES (Cont'd)**

<u>Figure</u>		<u>Page</u>
3014	PROCEDURE FOR ELECTRICAL HARNESS REPLACEMENT .....	3013
3015	PROCEDURE FOR ELECTRICAL HARNESS REPLACEMENT .....	3014
3016	PROCEDURE FOR ELECTRICAL HARNESS REPLACEMENT .....	3014
<b>REPAIR</b>		
6001	ASSEMBLY OF COLORS .....	6006
6002	RIVETED ASSEMBLIES .....	6074
6003	IN CASE OF DAMAGED SEAT SPRING .....	6076
6004	IN CASE OF DAMAGED SEAT SPRING .....	6076
6005	IN CASE OF DAMAGED SEAT SPRING .....	6077
6006	HEADREST REPARATION PROCEDURE .....	6078
6007	HEADREST REPARATION PROCEDURE .....	6079
<b>ASSEMBLY</b>		
7001	PROCEDURE FOR THE OLD SPRING P/N 153500-03 INSTALLATION .....	7002
7002	PROCEDURE FOR THE OLD SPRING P/N 153500-03 INSTALLATION .....	7003
7003	PROCEDURE FOR THE OLD SPRING P/N 153500-03 INSTALLATION .....	7003
7004	PROCEDURE FOR THE OLD SPRING P/N 153500-03 INSTALLATION .....	7004
7005	PROCEDURE FOR THE OLD SPRING P/N 153500-03 INSTALLATION .....	7004
7006	PROCEDURE FOR THE OLD SPRING P/N 153500-03 INSTALLATION .....	7005
7007	PROCEDURE FOR THE OLD SPRING P/N 153500-03 INSTALLATION .....	7005
7008	PROCEDURE FOR THE OLD SPRING P/N 153500-03 INSTALLATION .....	7006
7009	PROCEDURE FOR THE OLD SPRING P/N 153500-03 INSTALLATION .....	7006
7010	PROCEDURE FOR THE OLD SPRING P/N 153500-03 INSTALLATION .....	7007
7011	PROCEDURE FOR THE OLD SPRING P/N 153500-03 INSTALLATION .....	7008
7012	PROCEDURE FOR THE OLD SPRING P/N 153500-03 INSTALLATION .....	7008
7013	PROCEDURE FOR THE NEW SPRING P/N 183100-160-2 INSTALLATION .....	7009
7014	PROCEDURE FOR THE NEW SPRING P/N 183100-160-2 INSTALLATION .....	7010
7015	INSTALLATION OF THE HEADREST CABLE P/N 150603 .....	7013
7016	INSTALLATION OF THE HEADREST CABLE P/N 150603 .....	7014
7017	INSTALLATION OF THE HEADREST CABLE P/N 150603 .....	7015
7018	ADJUSTMENT OF THE STOP SCREW .....	7016
<b>DETAILED PARTS LIST</b>		
1	ROTATING SEAT ASSEMBLY .....	10001-0
1A	ROTATING SEAT ASSEMBLY .....	10001A-0
1B	ROTATING SEAT ASSEMBLY .....	10001B-0

**Zodiac Seats France**  
**COMPONENT MAINTENANCE MANUAL**  
**RL-SERIES**

**TABLE OF FIGURES (Cont'd)**

<u>Figure</u>		<u>Page</u>
1C	ROTATING SEAT ASSEMBLY .....	10001C-0
1D	ROTATING SEAT ASSEMBLY .....	10001D-0
2	UPHOLSTERY INSTALLATION .....	10002-0
2A	UPHOLSTERY INSTALLATION .....	10002A-0
2B	UPHOLSTERY INSTALLATION .....	10002B-0
3	STRUCTURE ASSEMBLY .....	10003-0
4	BOTTOM EQUIPPED AND FIXING .....	10004-0
5	INTERCOM HANDSET INSTALLATION .....	10005-0
6	SEAT ATTACHMENT .....	10006-0
7	HEADREST ASSEMBLY .....	10007-0

**Zodiac Seats France**  
**COMPONENT MAINTENANCE MANUAL**  
**RL-SERIES**

THIS PAGE INTENTIONALLY LEFT BLANK

**25-11-79**

TOF Page 4  
Jul 23/18

**Zodiac Seats France**  
**COMPONENT MAINTENANCE MANUAL**  
**RL-SERIES**

**INTRODUCTION**

**TASK 25-11-79-871-801-A01**

1. GENERAL

A. Information

- (1) The Component Maintenance Manual (CMM) is written in accordance with the Air Transport Association of America Specification No. 2200 (ATA 2200).
- (2) The Component Maintenance Manual gives all the procedures supplied by the manufacturer for use in the workshop, so that all persons can repair and completely overhaul the component.
- (3) The manual describes maintenance on the component in a workshop. It does not define or show the level of maintenance for all special units, but gives all the procedures necessary to let the person do a test, disassemble, clean, check and assemble a unit which has been rejected from serviceable use. The manual does not describe maintenance on the component when it is installed on the aircraft.
- (4) Only approved persons are permitted to do the maintenance procedures given in this manual.
- (5) Maintenance Task Oriented Support System (MTOSS) task and subtask identification is used in this manual. The maintenance tasks and other data have special MTOSS numbers for use of Electronic Data Processing (EDP). The MTOSS numbers can be ignored by the manual user.
- (6) Where the data or procedures specified in this manual are different from those specified by the regulatory agency which controls operation of your aircraft, obey the data and procedures of the regulatory authority.
- (7) This manual contains:
  - Technical data for the component,
  - Maintenance and repair procedures,
  - An Illustrated Parts List (IPL) with data for the component parts. The IPL Figure and item number identifies in all sections of the manual.

B. How to Use the Manual

- (1) Make sure the manual contains the information applicable to your component. Look on the Title Page for the part number.
- (2) If it is necessary to identify a part or find a part number, refer to the IPL (or IPC), which has an introduction to show the procedure.

**Zodiac Seats France**  
**COMPONENT MAINTENANCE MANUAL**  
**RL-SERIES**

- (3) The instructions in this manual must be used for all component maintenance. Read all the applicable WARNINGS and CAUTIONS before you do the work on the component.
- (4) This manual will be updated as necessary by revisions, Service Bulletin can be issued separately. Their effect on the manual will, however, be made evident by reissue of the Service Bulletins List as applicable.
- (5) These adjuncts to the text are expressed by the following headings:

**WARNING :** **WARNINGS TELL FOR USE OF MATERIALS PROCEDURES OR LIMITS WHICH MUST BE OBEYED IN ORDER TO PREVENT ANY INJURY, DO NOT PRESENT FINGERS AROUND LINK DEVICE WHEN YOU OPERATE THE SEAT PAN.**

**CAUTION :** **CAUTIONS TELL PROCEDURES WHICH MUST BE OBEYED IN ORDER TO PREVENT DAMAGE TO EQUIPMENT.**

**NOTE :** Notes tell any particular procedures which help to do the job.

- (6) Each seat assembly is designed to comply with the requirements defined in the following documents:

AIRBUS Specification 2520M1E000102 iss.8 § 2.3.2.1  
FAA Technical Standard Order TSO C114  
FAA Technical Standard Order TSO C39 (b)  
FAR 25.561 (b) amendment 59  
JAR 25.561 rev.10  
NAS Specification 809  
QAC 124

C. Modification

- (1) All result data and illustrations in this manual are the last revision available at the time of printing. ZODIAC SEATS FRANCE supplies updates to this manual when necessary. When ZODIAC SEATS FRANCE issue a modification to units included in this manual, ZODIAC SEATS FRANCE will revise the manual to include the information.
- (2) When there is a change, each updating gives the full instructions about the page number of the pages which must be replaced, added or removed. Revised texts or new texts are located with a vertical black line in the margin.

**Zodiac Seats France**  
**COMPONENT MAINTENANCE MANUAL**  
**RL-SERIES**

D. Manual guidelines

- (1) The CMM is divided according to the pages that follow:

<b>PAGES BLOCKS</b>	<b>TITLES</b>
0001-0999	DESCRIPTION AND OPERATION
1001-1999	TESTING AND FAULT ISOLATION
2001-2999	SCHEMATICS AND WIRING DIAGRAMS
3001-3999	DISASSEMBLY
4001-4999	CLEANING
5001-5999	CHECK
6001-6999	REPAIR
7001-7999	ASSEMBLY
8001-8999	FITS AND CLEARANCES
9001-9999	SPECIAL TOOLS, FIXTURES, EQUIPMENT AND CONSUMABLES
10001-10999	ILLUSTRATED PARTS LIST
11001-11999	SPECIAL PROCEDURES
12001-12999	REMOVAL
13001-13999	INSTALLATION
14001-14999	SERVICING
15001-15999	STORAGE

E. Measurements

- (1) The measurements given in this manual are taken from the original reference document of the manufacturer.
- (2) All values given in this manual are in System International (SI) units or sub-divisions of these units. US or Imperial units are given in parentheses immediately after the metric unit. The decimal point in the SI is shown by a comma and in the Imperial system by a full stop, e.g. 25,4 mm (1.00 in.).

**Zodiac Seats France**  
**COMPONENT MAINTENANCE MANUAL**  
**RL-SERIES**

(3) Units of measure used in the CMM:

in.:	inch	mm:	millimeter
ft:	foot	lbf.in.:	pound force per inch
lb:	pound	m:	meter
kg:	kilogram	rpm:	revolution per minute
°C:	degree Celsius	°F:	degree Fahrenheit
min:	minute	N.m:	Newton-meter
l:	liter	US Gal:	gallon

F. Abbreviations

(1) Abbreviations used in the Component Maintenance Manual are given below:

ASSY	Assembly
ATA	Air Transport Association of America
BACK	Backrest
CMM	Component Maintenance Manual
CTL	CENTRAL
CUS	Cushion
DET	Detail Breakdown
DLVY	Delivery
EFF	Effective
EQU	Equipped
EXT	External
FAA	Federal Aviation Authority
FIG	Figure
FIX	Fixing
IAT	In Arm Table
IFD	Identification Force Deflection
IFE	In Flight Entertainment system
INT	Internal
INSTL	Installation
IPL	Illustrated Parts List
IPC	Illustrated Parts Catalogue
LATL	Lateral
LH	Left-Hand
L/R	Lower
MC	Mechanical Lock
MISCL	Miscellaneous
N/A	Not Applicable
NAR	Narrow
No.	Number
NHA	Next higher assembly
NP	Not Procurable

**Zodiac Seats France**  
**COMPONENT MAINTENANCE MANUAL**  
**RL-SERIES**

PC .....	Polycarbonate
P/N .....	Part Number
QTY .....	Quantity
R .....	Modified
RECL .....	Recline
REPLD BY .....	Replaced by
REPLS .....	Replaces
REQ .....	Required
REV .....	Revision
RF .....	For reference
REF .....	Reference
RH .....	Right-Hand
SB .....	Service Bulletin
SELF-SKIN .....	Self-Skinning
SL .....	Service Letter
SPCL .....	Special
SST .....	Stainless Steel
STD .....	Standard
STRUCT .....	Structure
SUPSD BY .....	Superseded by
SUPSDS .....	Supersedes
TBD .....	To Be Defined
T/N .....	Tool Number
TSO .....	Technical Standard Order
W/ .....	With
W/O .....	Without

G. Manufacturing

(1) The unit is manufactured by:

TRADE - NAME	ADDRESS
ZODIAC SEATS FRANCE	Z.I. La Limoise rue Robert MARECHAL Senior BP 69 36100 ISSOUDUN FRANCE Phone : + 33 (0) 2 54 03 39 39 Fax : + 33 (0) 2 54 03 39 00

(2) and product supported by:

NOTE : Approved depot level repair stations can be found on ZODIAC AEROSPACE SERVICES web site:  
<https://www.zodiacaerospace.com/en/zodiac-aerospace-services>.

**Zodiac Seats France**  
**COMPONENT MAINTENANCE MANUAL**  
**RL-SERIES**

THIS PAGE INTENTIONALLY LEFT BLANK

## **DESCRIPTION AND OPERATION**

### **TASK 25-11-79-870-801-A01**

#### **1. DESCRIPTION**

##### **A. General description**

- (1) This manual contains maintenance and repair instructions for cabin attendant seats type rotating (RL) manufactured by ZODIAC SEATS FRANCE (ZODIAC Group) on the aircraft.
- (2) The numerous requirements for demonstrating that a "seat system" meets all the static and dynamic loads, the permanent deformation limitations, and the injury criteria, imply that individual elements of a "seat system" cannot be evaluated independently from each other. This difficulty translates into keeping the integrity of structures and other essential features affecting the performance of the "seat system" intact as certified. These parts include structural components, seat belts, buckets and bottom cushions, fabric or leather covers, shrouds, and impact surfaces on the seat backs. Modifications by a non-OEM, or the replacement of a non- OEM component, will invalidate the TSO C 39 certification, unless certified by the OEM.

##### **B. Seat Basic Structure**

- (1) The seat basic structure consists of vertical frames made of machined aircraft grade aluminium sheets. The seat assembly consists of painted structures, cushions and fire blocking. The seat can be installed forward or aft facing.

##### **C. Headrest**

- (1) The seat is fitted with a fixed and removable headrest which can be fitted with an intercom handset. Headrest can also include provision for oxygen equipment stowage.

##### **D. Backrest**

- (1) The backrest consists of a rigid metal structure attached to the seat basic structure so it swivels when seat pan is lowered.

##### **E. Stowage Compartment**

- (1) The seat is fitted with a stowage compartment designed to give storage for emergency equipment.

**Zodiac Seats France**  
**COMPONENT MAINTENANCE MANUAL**  
**RL-SERIES**

THIS PAGE INTENTIONALLY LEFT BLANK

**Zodiac Seats France**  
**COMPONENT MAINTENANCE MANUAL**  
**RL-SERIES**

**TASK 25-11-79-870-802- A01**

2. OPERATION

A. Deployment

- (1) To unlock the seat from stored position, pull up the locking lever.
- (2) Apply a 90° rotation to deploy the seat.
- (3) While maintaining the seat in the deployed position, push down the seat pan firmly, it will lock automatically.

B. Storage

- (1) To unlock the seat from usage position, pull up the locking lever while maintaining the seat deployed.
- (2) The seat pan will fold up automatically.
- (3) Once the seat pan is up, close the seat to its stored position.
- (4) The seat will automatically lock in the stored position.

**Zodiac Seats France**  
**COMPONENT MAINTENANCE MANUAL**  
**RL-SERIES**

THIS PAGE INTENTIONALLY LEFT BLANK

**Zodiac Seats France**  
**COMPONENT MAINTENANCE MANUAL**  
**RL-SERIES**

**TASK 25-11-79-870-803-A01**

3. FIRE BLOCKING INFORMATION

Fireblocking is the term used to describe the procedure or system of providing increased thermal protection for the foam in seat cushions. For that reason, the cushions, fireblocking liner and dress cover are considered to be a fireblocking system. Changes to any of the three components of the system can affect the thermal protection capability of that system. Two factors that affect capability is the cleanliness of all the components and the integrity of the fireblocking liner.

Liners are made of materials, which, because of their chemical composition, give inherent capability and do not depend on yarn or fabric treatments and coatings. Liners have no shelf life and their capability is not decreased by dry cleaning. Liner capability will be decreased by mechanical damage and, as stated above, will be influenced by the cleanliness of all components of the fireblocking system (cushion, liner and dress cover).

A. Fireblocking liner (if applicable)

- (1) Cleanliness: Slight discoloration, fading or color transfer from the dress cover to the fireblocking liner are normal and do not affect the capability of the liner system. Heavy stains, particularly petroleum products, should be removed using materials and procedures currently listed for upholstery. Care should be taken not to soak the stain into the underlying cushion. Commercial dry cleaning is acceptable for removing large stains. If a liner is to be dry cleaned, be aware that liners have a large frame of hook Auto-Agrip and care should be taken to prevent them from damaging the liner or other covers and liners during the dry cleaning cycle.
- (2) Damage to Liners: The primary factor in liner capability is the mechanical integrity of the liner. The mechanical integrity is affected by wear holes and seams. If holes are being worn in liners, the structure should be made locally less abrasive. Dress sharp edges with a file or use glass tape. Tape can also be used elsewhere.
  - (a) Generalized wear which results in a change of the liner surface texture, sheen or color is of no consequences as long as there is no hole through the liner.
  - (b) Holes in the liner can degrade its capability but tests have been conducted that show that up to three (3) holes of 0.312 diameter still permit the liner to exceed minimum thermal performance requirements. The number and size of holes noted do not render the system non flight worthy but the holes should be repaired at the next maintenance interval.

B. Repair to liners (if applicable)

- (1) Seams: Re-sew seam using same stitch pattern and stitch count used on other similar seams on the liner. Use only kevlar thread.

**Zodiac Seats France**  
**COMPONENT MAINTENANCE MANUAL**  
**RL-SERIES**

- (2) Holes: Must be patched, darning alone is not acceptable.
- (a) Patch must be of the same material as the liner.
  - (b) Patch must be overlook stitched along its perimeter (not necessary for felts).
  - (c) For cosmetic purposes and/or to prevent snagging, the hole can be darned prior to sewing the patch in place.
  - (d) Patch can be on the outside or inside surface of the liner.
  - (e) Patch to be sewn on with the noted Kevlar thread using the same stitch pattern and stitch count as other seams on the liner.
  - (f) Patch to be sized so that seams in the parent fabric that attach the patch are in undamaged parent fabric, preferably at least one-half damage diameter width from the edge of the damaged area.

C. Dress covers

All previously stated considerations concerning dress covers remain in effect. In addition to appearance and sanitary considerations, the cleanliness of dress covers can affect the thermal performance of the fire blocking system. Cleaning intervals for dress covers should be evaluated in order to prevent excess contamination build up and transfer of contamination through to the fire blocking liner.

NOTE : The fabric loses its fire blocking capacity after twenty washings.

D. Cushions

The factors affecting the thermal performance of cushions are the density of the cushions and their cleanliness.

Tests have shown that changes in cushion firmness (IFD / Identification Force Deflection) do not affect the thermal performance properties of the cushion.

Heavy stains on cushions, particularly from petroleum products, should not be allowed to build up. Mild non-volatile, non-flammable cleaners can be used gently on the surface of the cushion. Do not rub hard enough to break the skin of the foam. Because of the fire blocking layer, cushions can be expected to remain fairly clean.

**Zodiac Seats France**  
**COMPONENT MAINTENANCE MANUAL**  
**RL-SERIES**

**TASK 25-11-79-870-804-A01**

4. SEATS WEIGHTS

All weights listed below include seat covers and seat cushions (Refer to Table 1).

<b>PART NUMBERS</b>	<b>AIRCRAFT</b>	<b>COMPANY</b>	<b>WEIGHTS (Lbs)</b>	<b>WEIGHTS (Kg)</b>
RL27FYU3YS10054	A320	10X01	44.8	20,300
RL27FYU3YS10054	A320	10X02	44.8	20,300
RL27FYU3YS00054	A320	47W01	44.6	20,200
RL27FYU3YS00054	A320	53X01	44.6	20,200
RL27FYU3YS10054	A320	87Z01	44.8	20,300
RL27FYU3YS10054	A320	89Y01	44.8	20,300
RL27FYU3YS10054	A321	AAR02-D4	44.8	20,300
RL27FYU3YS00054	A321	AAR02-D5	44.6	20,200
RL27FYU3YS00054	A321	AAR02-D7 and on	44.6	20,200
RL27FYU3YS10054	A321	AAR04-D1	44.8	20,300
RL27FYU3YS00054	A321	AAR04-D2 and on	44.6	20,200
RL27FYU3YS00054	A320	AAR05	44.6	20,200
RL27FYU3YS10054	A320	AAR06-D1 and on	44.8	20,300
RL27FYU3YS10054	A320	ABY01	44.8	20,300
RL27FYB3YS00041	A319	AC2	43.4	19,680
RL27FYU3YS00041	A319	AC2	43.4	19,680
RL47FYF3YS00053	A321	AF2	46.0	20,900
RL47FYD3YS00071	A321	AF2-D3	46.0	20,900
RL47FYD3YS30071	A321	AF2-D5 and on	46.4	21,000
RL47FYD3YS30071	A321	AF2-D6 and on	46.4	21,000
RL47FYD3YS10071	A319	AF3-D14	52.8	24,000
RL47FYD3YS00071	A319	AF3-D14 and on	46.0	20,900
RL47FYD3YS10071	A319	AF3-D15	52.8	24,000
RL47FYD3YS30071	A319	AF3-D18	46.4	21,000
RL47FYD3YS30071	A319	AF3-D18/D19 /D21/ D24-D26 /D28-D30	46.4	21,000
RL47FYD3YS30071	A319	AF3-D19	46.4	21,000
RL47FYD3YS30071	A319	AF3-D21	46.4	21,000

**Zodiac Seats France**  
**COMPONENT MAINTENANCE MANUAL**  
**RL-SERIES**

<b>PART NUMBERS</b>	<b>AIRCRAFT</b>	<b>COMPANY</b>	<b>WEIGHTS (Lbs)</b>	<b>WEIGHTS (Kg)</b>
RL47FYD3YS00071	A319	AF3-D8	46.0	20,900
RL47FYD3YS30071	A320	AF5	46.4	21,000
RL27FYU3YS10054	A320	AFL01	44.8	20,300
RL27FYU3YS10054	A319	AFL02	44.8	20,300
RL27FYU3YS10054	A321	AFL03	44.8	20,300
RL27FYU3YS10054	A320	AFL04	44.8	20,300
RL47FYT3YS00001	A320	AFR Spare	46.3	21,000
RL47FYD3YS30071	A320	AFR05/AFR07 /AFR10	46.4	21,000
RL47FYD3YS30071	A320	AFR06	46.4	21,000
RL47FYD3YS30071	A319	AFR09	46.4	21,000
RL47FYD3YS30071	A319	AFR11	46.4	21,000
RL47FYD3YS30071	A320	AFR12	46.4	21,000
RL47FYD3YS30071	A319	AFR13	46.4	21,000
RL47FYD3YS30071	A320	AFR14 and on	46.4	21,000
RL47FYD3YS30071	A321	AFR15-D1 and on	46.4	21,000
RL47FYD3YS30071	A321	AFR16-D1 and on	46.4	21,000
RL27FYU3YS00054	A319	AHY01	44.6	20,200
RL27FYF3YS00143	A320	Air Astana	43.6	19,900
RL27FYU3YS00054	A320	AMM01-D1/D2 /D3/D5	44.6	20,200
RL27FYU3YS10054	A320	AMM01-D4	44.8	20,300
RL27FYU3YS10054	A321	AMM02	44.8	20,300
RL27FYF4YS10066	A319	AWE02-D31	43.6	19,800
RL27FYF4YS10066	A320	AWE03-D23/D24	43.6	19,800
RL27FYF4YS00066	A319	AWE04	65.8	29,800
RL27FYF4YS00066	A319	AWE05	65.8	29,800
RL27FYD3YS00078	A321	AY01	44.5	20,200
RL27FYF3YS00054	A321	AY01	44.5	20,200
RL27FYD3YS00078	A319	AY02	44.5	20,200
RL27FYD3YS00078	A320	AY03	44.5	20,200
RL47FYF3YS00073	A320	AZ02	45.8	20,800
RL47FYB3YS00064	A321	AZ1	45.8	20,800

**Zodiac Seats France**  
**COMPONENT MAINTENANCE MANUAL**  
**RL-SERIES**

<b>PART NUMBERS</b>	<b>AIRCRAFT</b>	<b>COMPANY</b>	<b>WEIGHTS (Lbs)</b>	<b>WEIGHTS (Kg)</b>
RL47FYU3YS00064	A321	AZ1	45.8	20,800
RL27FYU3YS10054	A320	B2A02-D7,D9	44.8	20,300
RL27FYF3YS10054	A319	BA1	44.5	20,200
RL27FYU3YS10054	A319	BA1-D16 and on	44.8	20,300
RL27FYU3YS10054	A321	BA2	44.8	20,300
RL27FYU3YS10054	A320	BA3	44.8	20,300
RL27FYU3YS10054	A320	BA4	44.8	20,300
RL27FYU3YS10054	A321	BA5	44.8	20,300
RL27FYU3YS10054	A321	BAW06	44.8	20,300
RL27FYU3YS10054	A321	BAW08	44.8	20,300
RL27FYU3YS10054	A318	BAW10	44.8	20,300
RL47FYF3YS00047	A321	BD1	45.8	20,800
RL47FYF3YS00047	A321	BD2	45.8	20,800
RL47FYU3YS10047	A321	BD2-D5 and on	46.4	21,000
RL47FYF3YS00047	A321	BD3	45.8	20,800
RL47FYF3YS00054	A321	BL1	45.8	20,800
RL27FYU3YS10054	A319	BLR01	44.8	20,300
RL47FYU3YS10047	A319	BMA04	46.4	21,000
RL47FYU3YS10047	A319	BMA04-D4 and on	44.1	20,000
RL27FYU3YS00054	A319	C8J02-D1	44.6	20,200
RL27FYU3YS00054	A319	C8J02-D1/D3	44.6	20,200
RL27FYU3YS00054	A319	C8J02-D2	44.6	20,200
RL27FYU3YS00054	A319CJ	C8J02-D4/D5	44.6	20,200
RL27FYU3YS00055	A319	C8J02-D8	44.6	20,200
RL27FYU3YS10054	A320	C9G09	44.8	20,300
RL27FYU3YS00054	A319	C9G10	44,6	20,200
RL27FYU3YS10054	A319	C9G11	44.8	20,300
RL27FYU3YS00055	A320	C9G12-D11	44.6	20,200
RL27FYU3YS10054	A320	C9G14	44.8	20,300
RL27FYU3YS10054	A319	C9G16	44.8	20,300
RL27FYU3YS10054	A320	C9G18	44.8	20,300
RL27FYU3YS10054	A319	C9G20/CIT	44.8	20,300
RL27FYU3YS00054	A320	CES02	44.6	20,200

**Zodiac Seats France**  
**COMPONENT MAINTENANCE MANUAL**  
**RL-SERIES**

<b>PART NUMBERS</b>	<b>AIRCRAFT</b>	<b>COMPANY</b>	<b>WEIGHTS (Lbs)</b>	<b>WEIGHTS (Kg)</b>
RL27FYU3YS10054	A320	CES02-D11/D 12/D13	44.8	20,300
RL27FYU3YS10054	A321	CES03	44.8	20,300
RL27FYU3YS10056	A320	CFG02	43.9	19,900
RL27FYF3YS00057	A321	CH1	43.6	19,800
RL27FYF3YS00057	A321	CH2	43.6	19,800
RL27FYU3YS00054	A321	CJ1	44.6	20,200
RL27FYU3YS00054	A319	CM01	44.6	20,200
RL27FYU3YS00054	A319	CSC03	44.6	20,200
RL27FYU3YS00054	A319	CYP02	44.6	20,200
RL27FYF3YS00047	A321	CZ1	44.3	20,100
RL27FYU3YS10054	A320	D2F01	44.8	20,300
RL27FYU3YS10054	A321	D2F02	44.8	20,300
RL27FYU3YS10054	A321	D2F02	44.8	20,300
RL27FYU3YS10054	A320	D2F04	44.8	20,000
RL27FYU3YS10054	A319	D2F05	44.8	20,300
RL27FYF31S00056	A321	DE1	44.5	20,200
RL27FYU3YS10056	A321	DE1-D9 and on	43.9	19,900
RL27FYU3YS10054	A320	DKH01	44.8	20,300
RL27FYU3YS10054	TBD	DKH02-D1 and on	44.8	20,300
RL27FYU3YS10054	A320	DKN01-D16 and on	44.8	20,300
RL27FYU3YS10055	A320	DKN01-D3	44.6	20,200
RL27FYU3YS10054	A321	DKN02	44.8	20,300
RL27FYU3YS00054	A320	DP1	44.6	20,200
RL27FYU3YS00054	A320	DR1	44.6	20,200
RL47FYF31S10S05	A320/A321	Dragon Air	45.8	20,800
RL27FYU3YS10054	A320	DXH01	44.8	20,300
RL27FYF3YS00054	A321	ED01	44.5	20,200
RL27FYF3YS00061	A321	EI02	44.5	20,200
RL27FYU3YS00061	A321	EI02-D2 and on	44.5	20,200
RL27FYU3YS10054	A320	EIN04	44.8	20,300
RL27FYU3YS10054	A320	EIN05	44.8	20,300
RL27FYB3YS00009	A319	EW1	44.1	20,000

**Zodiac Seats France**  
**COMPONENT MAINTENANCE MANUAL**  
**RL-SERIES**

<b>PART NUMBERS</b>	<b>AIRCRAFT</b>	<b>COMPANY</b>	<b>WEIGHTS (Lbs)</b>	<b>WEIGHTS (Kg)</b>
RL27FYU3YS00009	A319	EW1	44.1	20,000
RL27FYU3YS10054	A319	FFT01-D14/D15/D16	44.8	20,300
RL27FYU3YS10054	A318	FFT02	44.8	20,300
RL27FYD3YS00060	A320	FH03	42.5	19,300
RL27FYD3YS00078	A319	FIN02-D9 and on	44.6	20,200
RL27FYD3YS00078	A320	FIN03-D1/D7/D11 and on	44.6	20,200
RL27FYU3YS10054	A319	FN1	44.7	20,300
RL27FYU3YS10054	A320	G2X04	44.8	20,300
RL27FYU3YS00047	A320	G8E03-D10/D12/D14/D18/D19/D26	44.4	20,100
RL27FYU3YS10054	A320	G8E03-D20/D21	44.8	20,300
RL27FYU3YS10054	A320	G8E03-D20/D21	44.8	20,300
RL27FYU3YS10054	A319	G8E05-D11/D12/D15 and on	44.8	20,300
RL27FYU3YS10054	A320	G8E07	44.8	20,300
RL27FYU3YS10054	A320	G8E09	44.8	20,300
RL27FYU3YS10054	A320	G8E10	44.8	20,300
RL27FYU3YS10054	A320	G8E11	44.8	20,300
RL27FYU3YS10054	A320	G8E12	44.8	20,300
RL27FYF3YS00047	A320	GW01	44.3	20,100
RL27FYF3YS00047	A320	GW03-D1	44.3	20,100
RL27FYU3YS00047	A320	GW03-D13	44.4	20,100
RL27FYU3YS00047	A320	GW03-D17	44.4	20,100
RL27FYU3YS00047	A320	GW03-D22/D23	44.4	20,100
RL27FYF4YS00081	A320	GW03-D5	43.8	19,900
RL27FYU3YS00047	A320	GW03-D6 and on	44.3	20,100
RL27FYF3YS00047	A321	GW04-D1	44.3	20,100
RL27FYF3YS00047	A321	GW04-D2	44.3	20,100
RL27FYF3YS00047	A321	GW04-D3	44.3	20,100
RL27FYF3YS00047	A321	GW04-D4	44.3	20,100
RL27FYU3YS00047	A321	GW04-D5	44.3	20,100
RL47FYF3YS00047	A320	GW1	45.8	20,800
RL27FYU3YS00047	A320	GW3-D10/D12	44.4	20,100

**Zodiac Seats France**  
**COMPONENT MAINTENANCE MANUAL**  
**RL-SERIES**

<b>PART NUMBERS</b>	<b>AIRCRAFT</b>	<b>COMPANY</b>	<b>WEIGHTS (Lbs)</b>	<b>WEIGHTS (Kg)</b>
RL27FYU3YS00047	A320	GW3-D11	44.4	20,100
RL47FYF3YS00054	A320	GW3-D3	45.8	20,800
RL27FYU3YS10084	A320	GW3-D8	44.5	20,200
RL27FYU3YS10084	A320	GW3-D9	44.5	20,200
RL27FYF3YS00047	A319	GW5	44.3	20,100
RL27FYU3YS00047	A319	GW5-D3 and on	44.3	20,100
RL27FYU3YS10054	A319	GW5-D5/D8	44.8	20,300
RL27FYU3YS10084	A320	GZ1	44.6	20,200
RL27FYU3YS10054	A321	GZ2	44.8	20,300
RL27FYU3YS10054	A320	GZ3	44.8	20,300
RL27FYU3YS00054	A321	HVN01	44.6	20,200
RL27FYU3YS00054	A320	I2L02	44.6	20,200
RL27FYU3YS10080	A320	I2L09-D7	44.8	20,300
RL27FYU3YS10054	A320	I2L12	44.8	20,300
RL27FYU3YS10054	A320	I2L14	44.8	20,300
RL27FYU3YS10054	A319	I2L16	44.8	20,300
RL27FYU3YS10054	A321	I2L18	44.8	20,300
RL27FYU3YS10054	A319	I2L19	44.8	20,300
RL27FYU3YS10054	A320	I2L22	44.8	20,300
RL27FYU3YS10054	A319	I2L23	44.8	20,300
RL27FYU3YS10054	A320	I2L25	44.8	20,300
RL27FYU3YS10054	A319	I2L26	44.8	20,300
RL27FYU3YS10054	A320	I2L28	44.8	20,300
RL27FYU3YS10054	A321	I2L29	44.8	20,300
RL27FYU3YS10054	A319	I2L30	44.8	20,300
RL27FYU3YS10054	A320	I2L34	44.8	20,300
RL47FYF3YS10077	A320	IB03	45.6	20,700
RL47FYF3YS10077	A321	IB04	45.6	20,700
RL47FYU3YS10077	A320	IB3-D20	45.6	20,700
RL47FYU3YS10077	A321	IB4-D3 and on	45.7	20,700
RL47FYU3YS10077	A321	IBE04-D9 and on	45.7	20,700
RL47FYU3YS10077	A319	IBE05	45.7	20,700
RL27FYU3YS10054	A321	IBE06	44.8	20,300
RL27FYU3YS10054	A320	IBE07-D1 and on	44.8	20,300

**Zodiac Seats France**  
**COMPONENT MAINTENANCE MANUAL**  
**RL-SERIES**

<b>PART NUMBERS</b>	<b>AIRCRAFT</b>	<b>COMPANY</b>	<b>WEIGHTS (Lbs)</b>	<b>WEIGHTS (Kg)</b>
RL27FYU3YS10054	A319	IBE07-D7 and on	44.8	20,300
RL27FYU3YS10054	A320	IBE08-D1 and on	44.8	20,300
RL47FYA3YS00001	A320	IT1	45.1	20,460
RL47FYT3YS00001	A320	IT1	45.1	20,460
RL27FYU3YS10080	A320	J3K01-D19 and on	44.8	20,300
RL27FYF3YS00080	A320	JF01	44.5	20,200
RL27FYU3YS10080	A320	JF01-D5	44.7	20,300
RL27FYF3YS00054	A320	JG1	44.5	20,200
RL27FYF3YS10054	A321	JK1	44.7	20,300
RL27FYU3YS10054	A321	JK1-D2	44.7	20,300
RL27FYU3YS10054	A320	JK2	44.7	20,300
RL27FYU3YS10054	A320	JKK02-D5	44.8	20,300
RL47FYF31S00057	A320	KA1	45.8	20,800
RL47FYF31S10057	A320	KA1-D2	45.8	20,800
RL27FYF3YS00069	A319	KF1	44.9	20,400
RL27FYU3YS10054	A320	KFR03	44.8	20,300
RL27FYU3YS10054	A320	KFR03-D2 and on	44.8	20,300
RL27FYU3YS10054	A321	KFR04	44.8	20,300
RL27FYU3YS10054	A321	KFR04-D6	44.8	20,300
RL27FYF3YS00076	A320	KK02	44.1	20,000
RL27FYF3YS10076	A320	KK02-D3	44.2	20,100
RL27FYU3YS10076	A320	KK02-D5	44.2	20,100
RL27FYF3YS00076	A319	KK1	44.1	20,000
RL27FYU3YS00082	A320	LA1	44.1	20,000
RL27FYU3YS00082	A319	LAN02	44.1	20,000
RL27FYF3YS10079	A321	LH4	43.9	19,900
RL27FYU3YS10079	A320	LH5	43.9	19,900
RL27FYD3YS00044	A320	LL1	43.6	19,800
RL27FYS3YS00051	A320	LL1-D7	43.6	19,800
RL27FYD3YS00044	A321	LL2	43.6	19,800
RL27FYU3YS00054	A320	LS1	44.6	20,200
RL27FYU3YS10084	A320	LTU01	44.6	20,200
RL27FYU3YS10084	A321	LTU02	44.6	20,200

**Zodiac Seats France**  
**COMPONENT MAINTENANCE MANUAL**  
**RL-SERIES**

<b>PART NUMBERS</b>	<b>AIRCRAFT</b>	<b>COMPANY</b>	<b>WEIGHTS (Lbs)</b>	<b>WEIGHTS (Kg)</b>
RL27FYF3YS00054	A320	LU01	44.5	20,200
RL27FYF3YS00054	A320	MI01	44.5	20,200
RL27FYF3YS10054	A319	MI2	44.5	20,200
RL27FYU3YS00054	A319	MK1	44.6	20,200
RL12FYA3YS00023	A321	MS2	44.6	20,250
RL12FYT3YS00023	A321	MS2	44.6	20,250
RL27FYF3YS00054	A320	MU1	44.5	20,200
RL27FYU3YS00054	A320	MU1-D4	44.5	20,200
RL27FYU3YS10054	A319	MXA02	44.8	20,300
RL27FYU3YS10054	A318	MXA03	44.8	20,300
RL27FYU3YS10054	A320	MXA04	44.8	20,300
RL27FYU3YS10054	A319	MXA05	44.8	20,300
RL27FYF31S00058	A321	NH2	43.9	19,900
RL27FYF3YS00058	A321	NH2	43.6	19,800
RL27FYF31S10059	A320	NW2	43.6	19,800
RL27FYU31S10059	A320	NW2-D21	43.7	19,800
RL27FYF31S10059	A319	NW3	43.6	19,800
RL27FYU31S10059	A319	NW3-D17 and on	43.6	19,800
RL27FYF3YS00054	A321	NX01	44.5	20,200
RL47FYF3YS00054	A321	OM01	45.8	20,800
RL27FYF3YS00036	A321	OS3	44.1	20,000
RL27FYU3YS00036	A321	OS4	44.1	20,000
RL27FYB3YS00047	A319	OU1	44.1	20,000
RL27FYB3YS00047	A320	OU2	44.1	20,000
RL27FYD1YS00052	A321	OZ1	43.6	19,800
RL27FYF3YS00054	A321	OZ2	44.5	20,200
RL27FYU3YS00054	A321	OZ2-D3 and on	44.6	20,200
RL27FYU3YS00054	A321	OZ3	44.6	20,200
RL27FYF3YS00048	A320	PR1	44.1	20,000
RL27FYU3YS00055	A321	QR1	44.6	20,200
RL27FYU3YS00055	A321	QTR02	44.6	20,200
RL27FYU3YS10054	A321	RAM01	44.8	20,300
RL27FYU3YS10054	A321	RAM01-D4 and on	44.8	20,300
RL47FYF3YS00067	A320	RB1	45.8	20,800

**Zodiac Seats France**  
**COMPONENT MAINTENANCE MANUAL**  
**RL-SERIES**

<b>PART NUMBERS</b>	<b>AIRCRAFT</b>	<b>COMPANY</b>	<b>WEIGHTS (Lbs)</b>	<b>WEIGHTS (Kg)</b>
RL27FYU3YS10054	A321	S2A09	44.8	20,300
RL27FYU3YS00055	A319	S2A10	44.6	20,200
RL27FYU3YS00055	A320	S2A11-D3 and on	44.6	20,200
RL27FYF3YS00074	A320	SN03	43.9	19,900
RL27FYF3YS00074	A321	SN1	43.9	19,900
RL27FYF3YS00074	A319	SN2	43.9	19,900
RL27FYU3YS00074	A319	SN2-D14 and on	43.9	19,900
RL27FYU3YS00054	A319	SN2-D16/D17	44.6	20,200
RL27FYU3YS00054	A319	SN2-G8E/MX	44.6	20,200
RL27FYU3YS00074	A320	SN3-D3 and on	43.9	19,900
RL27FYF4YS00049	A320	TA2	44.5	20,200
RL27FYF4YS10049	A319	TA3	45.0	20,400
RL27FYF4YS10049	A320	TA4	45.0	20,400
RL27FYF4YS10049	A320	TAI06-D1 and on	45.0	20,400
RL27FYU3YS10076	A319	TAM01-D7	44.4	20,100
RL27FYU3YS10076	A320	TAM03-D1 and on	44.4	20,100
RL27FYU3YS10076	A321	TAM04	44.2	20,100
RL27FYU3YS00054	A320	TGW01	44.6	20,200
RL27FYS3YS00051	A320	TP02	44.3	20,100
RL27FYS3YS00051	A321	TP03	44.3	20,100
RL27FYS3YS00051	A319	TP1	44.3	20,100
RL27FYD3YS00062	A320	TU03	42.5	19,300
RL27FYD3YS00062	A319	TU2	42.5	19,300
RL27FYU3YS00041	TBD	US SEMI	44.3	20,100
RL27FYF3YS00050	A320	VX1	43.3	19,640
RL27FYU3YS00054	A320	VX2	44.6	20,200
RL27FYF4YS00066	A319	WE2	43.6	19,800
RL27FYF4YS00066	A320	WE3	43.6	19,800
RL47FYF3YS00047	A320	WH1	45.8	20,800
RL47FYU3YS00047	A320	WH1-D12 and on	45.8	20,800
RL27FYF3YS00055	A320	WS01	44.5	20,200
RL27FYF3YS00080	A320	WS01-D11	44.5	20,200
RL27FYF3YS00080	A320	WS01-D12	44.5	20,200

**Zodiac Seats France**  
**COMPONENT MAINTENANCE MANUAL**  
**RL-SERIES**

<b>PART NUMBERS</b>	<b>AIRCRAFT</b>	<b>COMPANY</b>	<b>WEIGHTS (Lbs)</b>	<b>WEIGHTS (Kg)</b>
RL47FYF3YS00054	A321	WS03-D1	45.8	20,800
RL27FYU3YS00074	A320	WS06	43.9	19,900
RL27FYF3YS10054	A320	WS4-D1	44.5	20,200
RL27FYU3YS00055	A320	WS5	44.5	20,200
RL27FYU3YS00047	A321	WS7	44.4	20,100
RL27FYF3YS00061	A321	XF04	44.5	20,200
RL47FYF31S00057	A321	XF04-D9	45.8	20,800
RL47FYF3YS10077	A319	XF08	45.6	20,700
RL27FYU3YS10080	A320	XF09-D3	44.7	20,300
RL27FYB3YS00047	A320	XF1	44.1	20,000
RL27FYU3YS10054	A321	XF10	44.7	20,300
RL47FYF31S00057	A320	XF5-D1	45.8	20,800
RL47FYF3YS00054	A320	XF5-D10	45.8	20,800
RL27FYF3YS00054	A320	XF5-D2	44.5	20,200
RL47FYF31S00057	A320	XF5-D3	45.8	20,800
RL27FYF3YS00054	A320	XF5-D4	44.5	20,200
RL47FYF31S00057	A320	XF5-D7	45.8	20,800
RL27FYF4YS10066	A319	XF6	43.6	19,800
RL27FYF4YS00066	A320	XF7-D1	43.6	19,800
RL47FYU3YS10077	A319	XF8-D4	45.6	20,700
RL27FYF3YS10080	A320	XF9	44.7	20,300
RL47FYA3YS00099	A321	XP1	45.1	20,460
RL47FYT3YS00099	A321	XP1	45.1	20,460
RL27FYU3YS00054	A320	XY01	44.5	20,200
RL27FYF3YS00054	A320	XY1	44.5	20,200
RL27FYU3YS00054	A321	XY2	44.5	20,200
RL27FYU3YS10084	A320	XY3	44.5	20,200
RL27FYU3YS00054	A321	XY6	44.6	20,200
RL47FYB3YS00085	A320	XZ1	45.8	20,800
RL47FYU3YS00085	A320	XZ1	45.8	20,800
RL47FYB3YS00009	A320	XZ3	46.0	20,900
RL47FYU3YS00009	A320	XZ3	46.0	20,900
RL47FYF3YS00047	A321	ZZ01	45.8	20,800
RL47FYA3YS00046	A321	ZZ1	46.0	20,900

**Zodiac Seats France**  
**COMPONENT MAINTENANCE MANUAL**  
**RL-SERIES**

Table 1 / SEATS WEIGHTS

**Zodiac Seats France**  
**COMPONENT MAINTENANCE MANUAL**  
**RL-SERIES**

THIS PAGE INTENTIONALLY LEFT BLANK

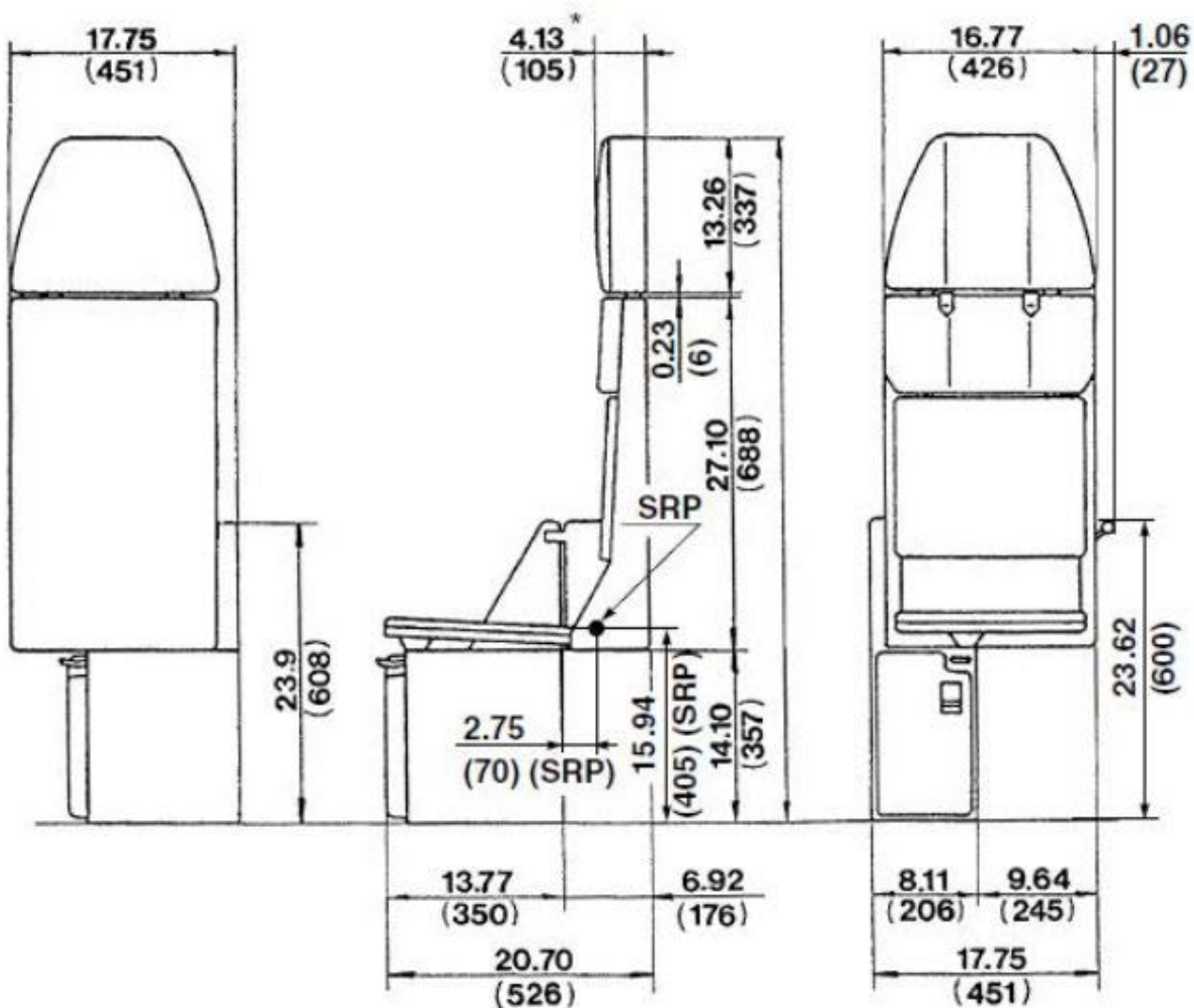
**Zodiac Seats France**  
**COMPONENT MAINTENANCE MANUAL**  
**RL-SERIES**

**TASK 25-11-79-870-805-A01**

5. DIMENSIONS

– For dimensions, (Refer to Fig. 1).

\* 4.13 = inches  
 (105) = mm

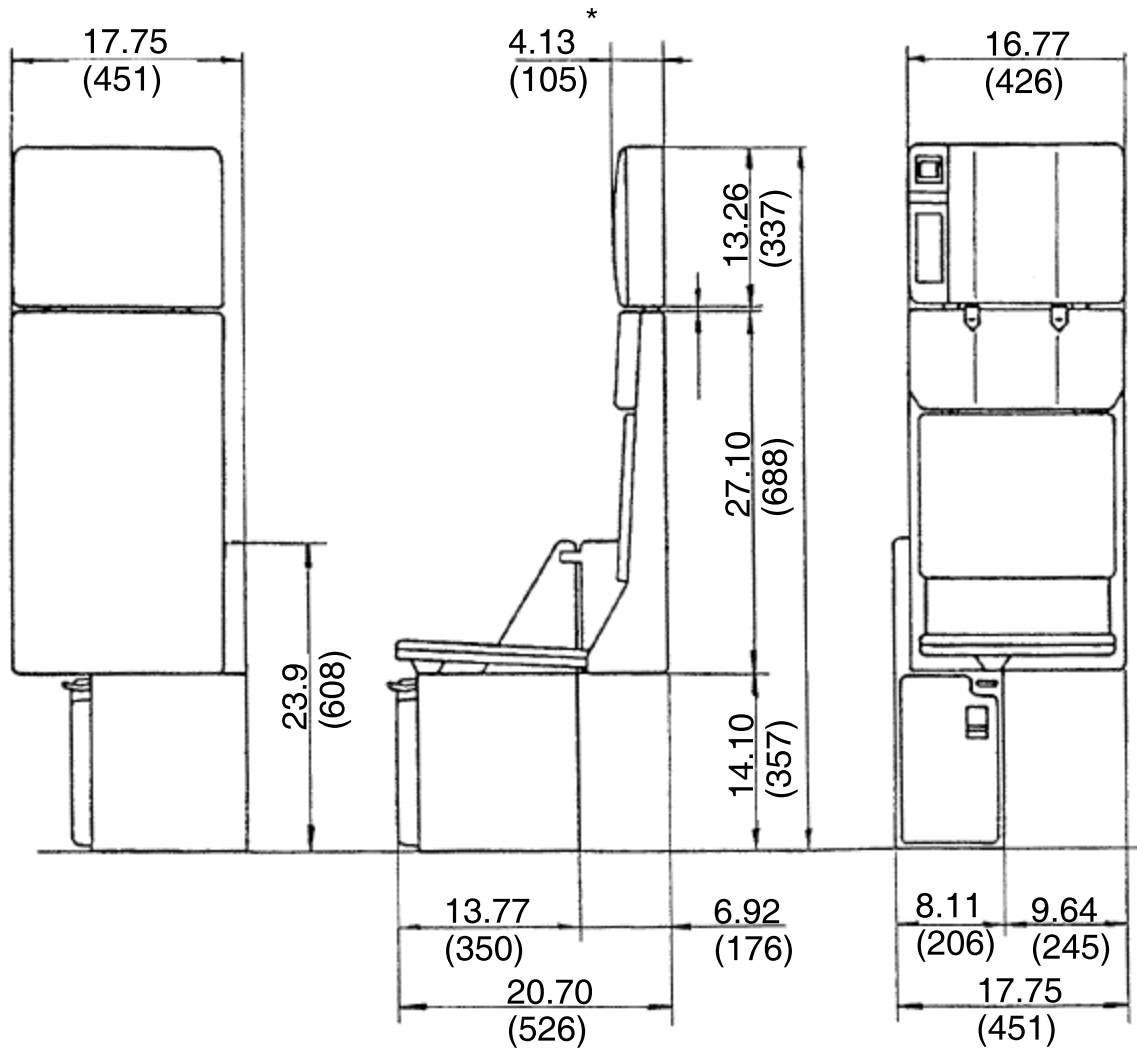


DIMENSIONS - ROTATING SEATS (WITH INTERCOM) (Sheet 1 of 2)

Figure 1/GRAPHIC-25-11-79-991-001-A01

**Zodiac Seats France**  
**COMPONENT MAINTENANCE MANUAL**  
**RL-SERIES**

\* 4.13 = inches  
 (105) = mm



DIMENSIONS - ROTATING SEATS (WITH INTERCOM)  
 (WITH INTERCOM) (Sheet 2 of 2)  
 Figure 1/GRAPHIC-25-11-79-991-001-A01

**Zodiac Seats France**  
**COMPONENT MAINTENANCE MANUAL**  
**RL-SERIES**

**TASK 25-11-79-870-806-A01**

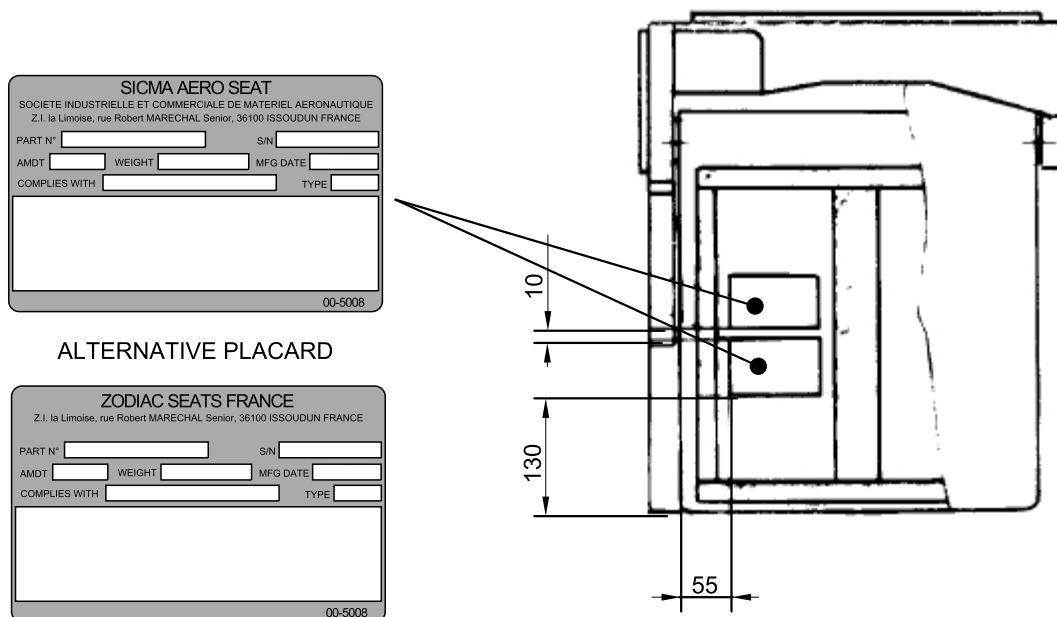
6. SEAT IDENTIFICATION PLATE

- For seat identification plate, (Refer to Fig. 2).
- (1) Identification plates to be stuck on seat pan assembly under bottom cushion.

The TSO or QAC approval does not cover any electronic equipment such as the I.F.E or its installation.

The installer of the seat into the aircraft must substantiate these additional components.

**NOTE :** The identification plate P/N 00-5008 must be protected with self adhesive transparent plastic film P/N PDFILMPP100x65.



SEAT IDENTIFICATION PLATE (VALID UNTIL AUGUST 31, 2004)

Figure 2/GRAPHIC-25-11-79-991-002-A01

**Zodiac Seats France**  
**COMPONENT MAINTENANCE MANUAL**  
**RL-SERIES**

(2) Identification plate located on restraint system support.

NOTE : The identification plate P/N 00-5008 must be protected with self adhesive transparent plastic film P/N PDFILMPP100x65.

NOTE : Upon replacement of ID plate, make sure to install new plates as described on the picture above.



<b>ZODIAC SEATS FRANCE</b>			
Z.I. la Limoise, rue Robert MARECHAL Senior, 36100 ISSOUDUN FRANCE			
PART N°	<input type="text"/>	S/N	<input type="text"/>
AMDT	WEIGHT	MFG DATE	<input type="text"/>
COMPLIES WITH	<input type="text"/>	TYPE	<input type="text"/>
00-5008			

SEAT IDENTIFICATION PLATE (VALID FROM SEPTEMBER 01, 2004)

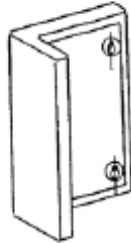
Figure 3/GRAPHIC-25-11-79-991-003-A01

**Zodiac Seats France**  
**COMPONENT MAINTENANCE MANUAL**  
**RL-SERIES**

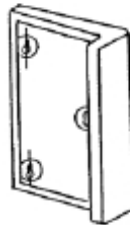
**TASK 25-11-79-870-807-A01**

7. EDGE AND FLAT PADDINGS

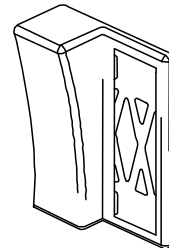
- For edge and flat paddings, (Refer to Fig. 4).



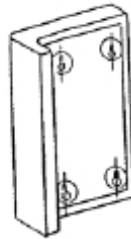
Padding 395-E01-XXX



Padding 395-E05-XXX



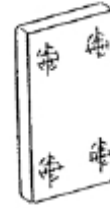
Padding 395-E09-XXX



Padding 395-E02-XXX



Padding 395-E06-XXX



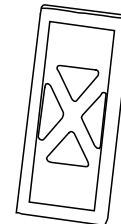
Padding 395-F02-XXX



Padding 395-E03-XXX



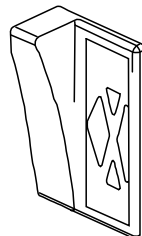
Padding 395-E07-XXX



Padding 395-F08-XXX



Padding 395-E04-XXX



Padding 395-E08-XXX

**EDGE AND FLAT PADDINGS**

Figure 4/GRAPHIC-25-11-79-991-004-A01

**Zodiac Seats France**  
**COMPONENT MAINTENANCE MANUAL**  
**RL-SERIES**

PART NUMBERS	COMPANY	AIRCRAFT	PADDING P/N	CODE REF.
RL27FYU3YS10054	10X01	A320	395-E03-054	F226286
RL27FYU3YS10054	10X02	A320	395-E03-054	F226286
RL27FYU3YS00054	47W01	A320	395-E01-054	F226737
RL27FYU3YS00054	87Z01	A320	395-E03-054	F226286
RL27FYU3YS10054	89Y01	A320	395-E03-054	F226286
RL27FYU3YS10054	AAR02-D4	A321	395-F02-054	F241222
RL27FYU3YS00054	AAR02-D5	A321	395-F02-054	F241222
RL27FYU3YS00054	AAR02-D7 and on	A321	395-F02-054	F241222
RL27FYU3YS10054	AAR04-D1	A321	395-F02-054	F241222
RL27FYU3YS00054	AAR04-D2 and on	A321	395-E02-054	F276081
RL27FYU3YS00054	AAR05	A320	395-F02-054	F241222
RL27FYU3YS10054	AAR06-D1 and on	A320	395-E03-054	F226286
RL27FYU3YS10054	ABY01	A320	395-F02-054	F241222
RL27FYB3YS00041	AC2	A319	395-E01-041	F209565
RL27FYU3YS00041	AC2	A319	395-E01-041	F209565
RL47FYF3YS00053	AF2	A321	395-E04-053	F226290
RL47FYD3YS00071	AF2-D3	A321	395-E04-071	F226951
RL47FYD3YS30071	AF2-D5 and on	A321	395-E04-071	F226951
RL47FYD3YS30071	AF2-D6 and on	A321	395-E04-071	F226951
RL47FYD3YS10071	AF3-D14	A319	395-E04-071	F226951
RL47FYD3YS00071	AF3-D14 and on	A319	395-E04-071	F226951
RL47FYD3YS10071	AF3-D15	A319	395-E04-071	F226951
RL47FYD3YS30071	AF3-D18	A319	395-E05-071	F226921
RL47FYD3YS30071	AF3-D18/D19/D21/ D24-D26/D28-D30	A319	395-E04-071	F226951
RL47FYD3YS30071	AF3-D19	A319	395-E05-071	F226921
RL47FYD3YS30071	AF3-D21	A319	395-E05-071	F226921
RL47FYD3YS00071	AF3-D8	A319	395-E01-071	F241753
RL47FYD3YS30071	AF5	A320	395-E04-071	F226951
RL47FYD3YS30071	TBD	TBD	395-E09-071	F0504280
RL47FYD3YS00071	TBD	TBD	395-E09-071	F0504280
RL47FYD3YS10071	TBD	TBD	395-E09-071	F0504280
RL27FYU3YS10054	AFL01	A320	395-E03-054	F226286
RL27FYU3YS10054	AFL02	A319	395-E01-054	F226737

**Zodiac Seats France**  
**COMPONENT MAINTENANCE MANUAL**  
**RL-SERIES**

PART NUMBERS	COMPANY	AIRCRAFT	PADDING P/N	CODE REF.
RL27FYU3YS10054	AFL03	A321	395-F02-054	F241222
RL27FYU3YS10054	AFL04	A320	395-E03-054	F226286
RL47FYT3YS00001	AFR Spare	A320	395-E04-001	F209509
RL47FYD3YS30071	AFR05/AFR07 /AFR10	A320	395-E04-071	F226951
RL47FYD3YS30071	AFR06	A320	395-E07-071	F287424
RL47FYD3YS30071	AFR09	A319	395-E04-071	F226951
RL47FYD3YS30071	AFR11	A319	395-E01-071	F241753
RL47FYD3YS30071	AFR12	A320	395-E04-071	F226951
RL47FYD3YS30071	AFR13	A319	395-E04-071	F226951
RL47FYD3YS30071	AFR14 and on	A320	395-E04-071	F226951
RL47FYD3YS30071	AFR15-D1 and on	A321	395-E04-071	F226951
RL47FYD3YS30071	AFR16-D1 and on	A321	395-E01-071	F241753
RL27FYU3YS00054	AHY01	A319	395-E01-054	F226737
RL27FYF3YS00143	Air Astana	A321	395-E06-143	F350053
RL27FYU3YS00054	AMM01-D1/D2/D3/D5	A320	395-E03-054	F226286
RL27FYU3YS10054	AMM01-D4	A320	395-E03-054	F226286
RL27FYU3YS10054	AMM02	A321	395-E03-054	F226286
RL27FYF4YS10066	AWE02-D31	A319	395-E02-066	F226730
RL27FYF4YS10066	AWE03-D23/D24	A320	395-E02-066	F226730
RL27FYF4YS00066	AWE04	A319	395-E02-066	F226730
RL27FYF4YS00066	AWE05	A319	395-E02-066	F226730
RL27FYD3YS00078	AY01	A321	395-E01-078	F241088
RL27FYF3YS00054	AY01	A321	395-E01-054	F226737
RL27FYD3YS00078	AY02	A319	395-E01-078	F241088
RL27FYD3YS00078	AY03	A320	395-E01-078	F241088
RL47FYF3YS00073	AZ02	A320	395-E04-073	F276281
RL47FYB3YS00064	AZ1	A321	395-E01-064	F226626
RL47FYU3YS00064	AZ1	A321	395-E01-064	F226626
RL27FYU3YS10054	B2A02-D7,D9	A320	395-E03-054	F226286
RL27FYF3YS10054	BA1	A319	395-E01-054	F226737
RL27FYU3YS10054	BA1-D16 and on	A319	395-E01-054	F226737
RL27FYU3YS10054	BA2	A321	395-E03-054	F226286

**Zodiac Seats France**  
**COMPONENT MAINTENANCE MANUAL**  
**RL-SERIES**

PART NUMBERS	COMPANY	AIRCRAFT	PADDING P/N	CODE REF.
RL27FYU3YS10054	BA3	A320	395-E03-054	F226286
RL27FYU3YS10054	BA4	A320	395-E03-054	F226286
RL27FYU3YS10054	BA5	A321	395-E03-054	F226286
RL27FYU3YS10054	BAW06	A321	395-E03-054	F226286
RL27FYU3YS10054	BAW08	A321	395-E03-054	F226286
RL27FYU3YS10054	BAW10	A318	395-F02-054	F241222
RL47FYF3YS00047	BD1	A321	395-E01-047	F226194
RL47FYF3YS00047	BD2	A321	395-E01-047	F226194
RL47FYU3YS10047	BD2-D5 and on	A321	395-E01-047	F226194
RL47FYF3YS00047	BD3	A321	395-E01-047	F226194
RL47FYF3YS00054	BL1	A321	395-E03-054	F226286
RL27FYU3YS10054	BLR01	A319	395-E01-054	F226737
RL47FYU3YS10047	BMA04	A319	395-E01-047	F226194
RL47FYU3YS10047	BMA04-D4 and on	A319	395-E01-047	F226194
RL27FYU3YS00054	C8J02-D1	A319	395-E01-054	F226737
RL27FYU3YS00054	C8J02-D1/D3	A319	395-E01-054	F226737
RL27FYU3YS00054	C8J02-D2	A319	395-E01-054	F226737
RL27FYU3YS00054	C8J02-D4/D5	A319CJ	395-E01-054	F226737
RL27FYU3YS00055	C8J02-D8	A319	395-E04-055	TBD
RL27FYU3YS10054	C9G09	A320	395-E03-054	F226286
RL27FYU3YS00054	C9G10	A319	395-E03-054	F226286
RL27FYU3YS10054	C9G11	A319	395-E03-054	F226286
RL27FYU3YS00055	C9G12-D11	A320	395-E04-055	TBD
RL27FYU3YS10054	C9G14	A320	395-E03-054	F226286
RL27FYU3YS10054	C9G16	A319	395-E03-054	F226286
RL27FYU3YS10054	C9G18	A320	395-F02-054	F241222
RL27FYU3YS10054	C9G20/CIT	A319	395-F02-054	F241222
RL27FYU3YS00054	CES02	A320	395-E03-054	F226286
RL27FYU3YS10054	CES02-D11/D1 2/D13	A320	395-E03-054	F226286
RL27FYU3YS10054	CES03	A321	395-E03-054	F226286
RL27FYU3YS10056	CFG02	A320	395-E03-056	F226388
RL27FYF3YS00057	CH1	A321	395-E03-057	F226616
RL27FYF3YS00057	CH2	A321	395-E03-057	F226616

**Zodiac Seats France**  
**COMPONENT MAINTENANCE MANUAL**  
**RL-SERIES**

PART NUMBERS	COMPANY	AIRCRAFT	PADDING P/N	CODE REF.
RL27FYU3YS00054	CJ1	A321	395-E01-054	F226737
RL27FYU3YS00054	CM01	A319	395-E03-054	F226286
RL27FYU3YS00054	CSC03	A319	395-E01-054	F226737
RL27FYU3YS00054	CYP02	A319	395-E01-054	F226737
RL27FYF3YS00047	CZ1	A321	395-E03-047	F209866
RL27FYU3YS10054	D2F01	A320	395-E03-054	F226286
RL27FYU3YS10054	D2F02	A321	395-E03-054	F226286
RL27FYU3YS10054	D2F02	A321	395-E03-054	F226286
RL27FYU3YS10054	D2F04	A320	395-E03-054	F226286
RL27FYU3YS10054	D2F05	A319	395-E03-054	F226286
RL27FYF31S00056	DE1	A321	395-E03-056	F226388
RL27FYU3YS10056	DE1-D9 and on	A321	395-E03-056	F226388
RL27FYU3YS10054	DKH01	A320	395-F02-054	F241222
RL27FYU3YS10054	DKH02-D1 and on	TBD	395-E03-054	F226286
RL27FYU3YS10054	DKN01-D16 and on	A320	395-F02-054	F241222
RL27FYU3YS10055	DKN01-D3	A320	395-E03-055	F226295
RL27FYU3YS10054	DKN02	A321	395-F02-054	F241222
RL27FYU3YS00054	DP1	A320	395-E03-054	F226286
RL27FYU3YS00054	DR1	A320	395-E03-054	F226286
RL27FYU3YS10054	DXH01	A320	395-F02-054	F241222
RL27FYF3YS00054	ED01	A321	395-E03-054	F226286
RL27FYF3YS00061	EI02	A321	395-E03-061	F226508
RL27FYU3YS00061	EI02-D2 and on	A321	395-E03-061	F226508
RL27FYU3YS10054	EIN04	A320	395-E03-054	F226286
RL27FYU3YS10054	EIN05	A320	395-E03-054	F226286
RL27FYB3YS00009	EW1	A319	395-E03-009	F209662
RL27FYU3YS00009	EW1	A319	395-E03-009	F209662
RL27FYU3YS10054	FFT01-D14/D15/D16	A319	395-E01-054	F226737
RL27FYU3YS10054	FFT02	A318	395-E01-054	F226737
RL27FYD3YS00060	FH03	A320	395-E01-060	F226467
RL27FYD3YS00078	FIN02-D9 and on	A319	395-E01-078	F241088
RL27FYD3YS00078	FIN03-D1/D7/D11 and on	A320	395-E01-078	F241088

**Zodiac Seats France**  
**COMPONENT MAINTENANCE MANUAL**  
**RL-SERIES**

PART NUMBERS	COMPANY	AIRCRAFT	PADDING P/N	CODE REF.
RL27FYU3YS10054	FN1	A319	395-E01-054	F226737
RL27FYU3YS10054	G2X04	A320	395-E03-054	F226286
RL27FYU3YS00047	G8E03-D10/D12/D14/ D18/D19/D26	A320	395-E03-047	F209866
RL27FYU3YS10054	G8E03-D20/D21	A320	395-E03-054	F226286
RL27FYU3YS10054	G8E03-D20/D21	A320	395-E03-054	F226286
RL27FYU3YS10054	G8E05-D11/D12 /D15 and on	A319	395-E01-054	F226737
RL27FYU3YS10054	G8E07	A320	395-F02-054	F241222
RL27FYU3YS10054	G8E07	A320	395-E03-054	F226286
RL27FYU3YS10054	G8E09	A320	395-E03-054	F226286
RL27FYU3YS10054	G8E10	A320	395-E03-054	F226286
RL27FYU3YS10054	G8E11	A320	395-F02-054	F241222
RL27FYU3YS10054	G8E11	A320	395-F02-054	F241222
RL27FYU3YS10054	G8E12	A320	395-F02-054	F241222
RL27FYF3YS00047	GW01	A320	395-E03-047	F209866
RL27FYF3YS00047	GW03-D1	A320	395-E03-047	F209866
RL27FYU3YS00047	GW03-D13	A320	395-E03-047	F209866
RL27FYU3YS00047	GW03-D17	A320	395-E03-047	F209866
RL27FYU3YS00047	GW03-D22/D23	A320	395-E03-047	F209866
RL27FYF4YS00081	GW03-D5	A320	395-E03-081	F241879
RL27FYU3YS00047	GW03-D6 and on	A320	395-E03-047	F209866
RL27FYF3YS00047	GW04-D1	A321	395-E03-047	F209866
RL27FYF3YS00047	GW04-D2	A321	395-E03-047	F209866
RL27FYF3YS00047	GW04-D3	A321	395-E03-047	F209866
RL27FYF3YS00047	GW04-D4	A321	395-E03-047	F209866
RL27FYU3YS00047	GW04-D5	A321	395-E03-047	F209866
RL47FYF3YS00047	GW1	A320	395-E04-047	F210108
RL27FYU3YS00047	GW3-D10/D12	A320	395-E03-047	F209866
RL27FYU3YS00047	GW3-D11	A320	395-E03-047	F209866
RL47FYF3YS00054	GW3-D3	A320	395-E03-054	F226286
RL27FYU3YS10084	GW3-D8	A320	395-E03-084	F262680
RL27FYU3YS10084	GW3-D9	A320	395-E03-084	F262680
RL27FYF3YS00047	GW5	A319	395-E03-047	F209866

**Zodiac Seats France**  
**COMPONENT MAINTENANCE MANUAL**  
**RL-SERIES**

<b>PART NUMBERS</b>	<b>COMPANY</b>	<b>AIRCRAFT</b>	<b>PADDING P/N</b>	<b>CODE REF.</b>
RL27FYU3YS00047	GW5-D3 and on	A319	395-E03-047	F209866
RL27FYU3YS10054	GW5-D5/D8	A319	395-E01-054	F226737
RL27FYU3YS10084	GZ1	A320	395-E03-084	F262680
RL27FYU3YS10054	GZ2	A321	395-E03-054	F226286
RL27FYU3YS10054	GZ3	A320	395-E03-054	F226286
RL27FYU3YS00054	HVN01	A321	395-E03-054	F226286
RL27FYU3YS00054	I2L02	A320	395-E03-054	F226286
RL27FYU3YS10080	I2L09-D7	A320	395-E03-080	F241646
RL27FYU3YS10054	I2L12	A320	395-E03-054	F226286
RL27FYU3YS10054	I2L14	A320	395-E03-054	F226286
RL27FYU3YS10054	I2L16	A319	395-E03-054	F226286
RL27FYU3YS10054	I2L18	A321	395-E01-054	F226737
RL27FYU3YS10054	I2L19	A319	395-E03-054	F226286
RL27FYU3YS10054	I2L22	A320	395-E03-054	F226286
RL27FYU3YS10054	I2L23	A319	395-E01-054	F226737
RL27FYU3YS10054	I2L25	A320	395-E03-054	F226286
RL27FYU3YS10054	I2L26	A319	395-E03-054	F226286
RL27FYU3YS10054	I2L28	A320	395-E03-054	F226286
RL27FYU3YS10054	I2L29	A321	395-E03-054	F226286
RL27FYU3YS10054	I2L30	A319	395-E01-054	F226737
RL27FYU3YS10054	I2L34	A320	395-E03-054	F226286
RL47FYF3YS10077	IB03	A320	395-E04-077	F241099
RL47FYF3YS10077	IB04	A321	395-E04-077	F241099
RL47FYU3YS10077	IB3-D20	A320	395-E04-077	F241099
RL47FYU3YS10077	IB4-D3 and on	A321	395-E04-077	F241099
RL47FYU3YS10077	IBE04-D9 and on	A321	395-E04-077	F241099
RL47FYU3YS10077	IBE05	A319	395-E04-077	F241099
RL27FYU3YS10054	IBE06	A321	395-E04-054	F241006
RL27FYU3YS10054	IBE07-D1 and on	A320	395-E04-054	F241006
RL27FYU3YS10054	IBE07-D7 and on	A319	395-E04-054	F241006
RL27FYU3YS10054	IBE08-D1 and on	A320	395-E04-054	F241006
RL47FYA3YS00001	IT1	A320	395-E04-001	F209509
RL47FYT3YS00001	IT1	A320	395-E04-001	F209509

**Zodiac Seats France**  
**COMPONENT MAINTENANCE MANUAL**  
**RL-SERIES**

PART NUMBERS	COMPANY	AIRCRAFT	PADDING P/N	CODE REF.
RL27FYU3YS10080	J3K01-D19 and on	A320	395-E03-080	F241646
RL27FYF3YS00080	JF01	A320	395-E03-080	F241646
RL27FYU3YS10080	JF01-D5	A320	395-E03-080	F241646
RL27FYF3YS00054	JG1	A320	395-E03-054	F226286
RL27FYF3YS10054	JK1	A321	395-F02-054	F241222
RL27FYU3YS10054	JK1-D2	A321	395-F02-054	F241222
RL27FYU3YS10054	JK2	A320	395-E03-054	F226286
RL27FYU3YS10054	JKK02-D5	A320	395-E03-054	F226286
RL47FYF31S00057	KA1	A320	395-E04-057	F226357
RL47FYF31S10057	KA1-D2	A320	395-E04-057	F226357
RL27FYU3YS10054	KFR03	A320	395-E03-054	F226286
RL27FYU3YS10054	KFR03-D2 and on	A320	395-E03-054	F226286
RL27FYU3YS10054	KFR04	A321	395-E01-054	F226737
RL27FYU3YS10054	KFR04-D6	A321	395-E01-054	F226737
RL27FYF3YS00076	KK02	A320	395-E03-076	F240999
RL27FYF3YS10076	KK02-D3	A320	395-E03-076	F240999
RL27FYU3YS10076	KK02-D5	A320	395-E03-076	F240999
RL27FYF3YS00076	KK1	A319	395-E03-076	F240999
RL27FYU3YS00082	LA1	A320	395-E03-082	F242231
RL27FYU3YS00082	LAN02	A319	395-E03-082	F242231
RL27FYF3YS10079	LH4	A321	395-E03-079	F241299
RL27FYU3YS10079	LH5	A320	395-E03-079	F241299
RL27FYD3YS00044	LL1	A320	395-E03-036	F209338
RL27FYS3YS00051	LL1-D7	A320	395-E03-051	F226923
RL27FYD3YS00044	LL2	A321	395-E03-036	F209338
RL27FYU3YS00054	LS1	A320	395-E03-054	F226286
RL27FYU3YS10084	LTU01	A320	395-E03-084	F262680
RL27FYU3YS10084	LTU02	A321	395-E03-084	F262680
RL27FYF3YS00054	LU01	A320	395-E03-054	F226286
RL27FYF3YS00054	MI01	A320	395-E03-054	F226286
RL27FYF3YS10054	MI2	A319	395-E03-054	F226286
RL27FYU3YS00054	MK1	A319	395-E03-054	F226286
RL12FYA3YS00023	MS2	A321	395-E01-023	F071622

**Zodiac Seats France**  
**COMPONENT MAINTENANCE MANUAL**  
**RL-SERIES**

<b>PART NUMBERS</b>	<b>COMPANY</b>	<b>AIRCRAFT</b>	<b>PADDING P/N</b>	<b>CODE REF.</b>
RL12FYT3YS00023	MS2	A321	395-E01-023	F071622
RL27FYF3YS00054	MU1	A320	395-E03-054	F226286
RL27FYU3YS00054	MU1-D4	A320	395-E03-054	F226286
RL27FYU3YS10054	MXA02	A319	395-E03-054	F226286
RL27FYU3YS10054	MXA03	A318	395-E03-054	F226286
RL27FYU3YS10054	MXA04	A320	395-E01-054	F226737
RL27FYU3YS10054	MXA05	A319	395-F02-054	F241222
RL27FYF31S00058	NH2	A321	395-E06-058	F226393
RL27FYF3YS00058	NH2	A321	395-E06-058	F226393
RL27FYF31S10059	NW2	A320	395-E01-059	F226422
RL27FYU31S10059	NW2-D21	A320	395-E01-059	F226422
RL27FYF31S10059	NW3	A319	395-E01-059	F226422
RL27FYU31S10059	NW3-D17 and on	A319	395-E01-059	F226422
RL27FYF3YS00054	NX01	A321	395-E01-054	F226737
RL47FYF3YS00054	OM01	A321	395-E04-054	F241006
RL27FYF3YS00036	OS3	A321	395-F02-036	F106082
RL27FYF3YS00036	OS3	A321	395-F08-036	F0504040
RL27FYF3YS00036	OS3	A321	395-E08-036	F0504051
RL27FYU3YS00036	OS4	A321	395-F02-036	F106082
RL27FYU3YS00036	OS4	A321	395-F08-036	F0504040
RL27FYU3YS00036	OS4	A321	395-E08-036	F0504051
RL27FYB3YS00047	OU1	A319	395-E01-047	F226194
RL27FYB3YS00047	OU2	A320	395-E01-047	F226194
RL27FYD1YS00052	OZ1	A321	395-E01-052	F226260
RL27FYF3YS00054	OZ2	A321	395-F02-054	F241222
RL27FYU3YS00054	OZ2-D3 and on	A321	395-F02-054	F241222
RL27FYU3YS00054	OZ3	A321	395-E01-054	F226737
RL27FYF3YS00048	PR1	A320	395-E03-048	F209957
RL27FYU3YS00055	QR1	A321	395-E04-055	TBD
RL27FYU3YS00055	QTR02	A321	395-F02-055	F300650
RL27FYU3YS10054	RAM01	A321	395-E01-054	F226737
RL27FYU3YS10054	RAM01-D4 and on	A321	395-E01-054	F226737
RL47FYF3YS00067	RB1	A320	395-E04-067	F226650

**Zodiac Seats France**  
**COMPONENT MAINTENANCE MANUAL**  
**RL-SERIES**

PART NUMBERS	COMPANY	AIRCRAFT	PADDING P/N	CODE REF.
RL27FYU3YS10054	S2A09	A321	395-E03-054	F226286
RL27FYU3YS00055	S2A10	A319	395-E04-055	TBD
RL27FYU3YS00055	S2A11-D3 and on	A320	395-E04-055	TBD
RL27FYF3YS00074	SN03	A320	395-E03-074	F241202
RL27FYF3YS00074	SN1	A321	395-F02-074	F240953
RL27FYF3YS00074	SN2	A319	395-E02-074	F241200
RL27FYU3YS00074	SN2-D14 and on	A319	395-E02-074	F241200
RL27FYU3YS00054	SN2-D16/D17	A319	395-E01-054	F226737
RL27FYU3YS00054	SN2-G8E/MX	A319	395-E02-054	F276081
RL27FYU3YS00074	SN3-D3 and on	A320	395-E03-074	F241202
RL27FYF4YS00049	TA2	A320	395-E03-049	F210119
RL27FYF4YS10049	TA3	A319	395-E03-049	F210119
RL27FYF4YS10049	TA4	A320	395-E03-049	F210119
RL27FYF4YS10049	TAI06-D1 and on	A320	395-E03-049	F210119
RL27FYU3YS10076	TAM01-D7	A319	395-E03-076	F240999
RL27FYU3YS10076	TAM03-D1 and on	A320	395-E03-076	F240999
RL27FYU3YS10076	TAM04	A320	395-E03-076	F240999
RL27FYU3YS00054	TGW01	A320	395-E01-054	F226737
RL27FYS3YS00051	TP02	A320	395-E03-051	F226923
RL27FYS3YS00051	TP03	A321	395-F02-051	F242089
RL27FYS3YS00051	TP1	A319	395-E03-051	F226923
RL27FYD3YS00062	TU03	A320	395-E01-062	F226596
RL27FYD3YS00062	TU2	A319	395-E01-062	F226596
RL27FYU3YS00041	US SEMI	TBD	395-E01-041	F209565
RL27FYF3YS00050	VX1	A320	395-E01-050	F210113
RL27FYU3YS00054	VX2	A320	395-E01-054	F226737
RL27FYF4YS00066	WE2	A319	395-E02-066	F226730
RL27FYF4YS00066	WE3	A320	395-E02-066	F226730
RL47FYF3YS00047	WH1	A320	395-E04-047	F210108
RL47FYU3YS00047	WH1-D12 and on	A320	395-E04-047	F210108
RL27FYF3YS00055	WS01	A320	395-E03-055	F226295
RL27FYF3YS00080	WS01-D11	A320	395-E03-080	F241646
RL27FYF3YS00080	WS01-D12	A320	395-E03-080	F241646

**Zodiac Seats France**  
**COMPONENT MAINTENANCE MANUAL**  
**RL-SERIES**

<b>PART NUMBERS</b>	<b>COMPANY</b>	<b>AIRCRAFT</b>	<b>PADDING P/N</b>	<b>CODE REF.</b>
RL47FYF3YS00054	WS03-D1	A321	395-E04-054	F241006
RL27FYU3YS00074	WS06	A320	395-E03-074	F241202
RL27FYF3YS10054	WS4-D1	A320	395-E03-054	F226286
RL27FYU3YS00055	WS5	A320	395-E04-055	TBD
RL27FYU3YS00047	WS7	A321	395-E03-047	F210108
RL27FYF3YS00061	XF04	A321	395-E03-061	F226508
RL47FYF31S00057	XF04-D9	A321	395-E04-057	F226357
RL47FYF3YS10077	XF08	A319	395-E04-077	F241099
RL27FYU3YS10080	XF09-D3	A320	395-E03-080	F241646
RL27FYB3YS00047	XF1	A320	395-E03-047	F209866
RL27FYU3YS10054	XF10	A321	395-F02-054	F241222
RL47FYF31S00057	XF5-D1	A320	395-E04-057	F226357
RL47FYF3YS00054	XF5-D10	A320	395-E04-054	F241006
RL27FYF3YS00054	XF5-D2	A320	395-E03-054	F226286
RL47FYF31S00057	XF5-D3	A320	395-E04-057	F226357
RL27FYF3YS00054	XF5-D4	A320	395-E03-054	F226286
RL47FYF31S00057	XF5-D7	A320	395-E04-057	F226357
RL27FYF4YS10066	XF6	A319	395-E02-066	F226730
RL27FYF4YS00066	XF7-D1	A320	395-E02-066	F226730
RL47FYU3YS10077	XF8-D4	A319	395-E04-077	F241099
RL27FYF3YS10080	XF9	A320	395-E03-080	F241646
RL47FYA3YS00099	XP1	A321	395-E03-099	F209917
RL47FYT3YS00099	XP1	A321	395-E03-099	F209917
RL27FYU3YS00054	XY01	A320	395-E03-054	F226286
RL27FYF3YS00054	XY1	A320	395-E03-054	F226286
RL27FYU3YS00054	XY2	A321	395-E01-054	F226737
RL27FYU3YS10084	XY3	A320	395-E01-084	F262391
RL27FYU3YS00054	XY6	A321	395-F02-054	F241222

**Zodiac Seats France**  
**COMPONENT MAINTENANCE MANUAL**  
**RL-SERIES**

<b>PART NUMBERS</b>	<b>COMPANY</b>	<b>AIRCRAFT</b>	<b>PADDING P/N</b>	<b>CODE REF.</b>
RL47FYB3YS00085	XZ1	A320	395-E04-085	F262697
RL47FYU3YS00085	XZ1	A320	395-E04-085	F262697
RL47FYB3YS00009	XZ3	A320	395-E03-009	F209662
RL47FYU3YS00009	XZ3	A320	395-E03-009	F209662
RL47FYF3YS00047	ZZ01	A321	395-E04-047	F210108
RL47FYA3YS00046	ZZ1	A321	395-E04-046	F209849

Table 2 / EDGE AND FLAT PADDINGS

## TESTING AND FAULT ISOLATION

### **TASK 25-11-79-700-801- A01**

#### 1. TESTING

##### A. Reason for the job

- (1) This chapter gives the procedures to make sure that the cabin attendant seat is in good condition, controlling the condition and the characteristics of the equipment.

##### B. Job set-up information

- (1) Tools, features and equipment  
[\(Refer to Table 1001\)](#)

REFERENCE	QTY	DESIGNATION
No specific	As Required	Standard mechanics technician's tool.

Table 1001 / TOOLS, FEATURES AND EQUIPMENT

- (2) Test conditions
  - (a) Ambient temperature: 15 °C to 30 °C (59 °F to 86 °F).
  - (b) Ambient atmospheric pressure.
  - (c) Relative humidity: ≤ 90%.
- (3) The various incidents that can be encountered are listed below along with their probable causes.
- (4) Repair defective parts, by approved workshops or replace with serviceable elements. Make sure that you use only approved parts, you can invalidate the TSO C39 certification of the seat ([Refer to REPAIR](#)).
- (5) The tests consist in put the chair in its operational position and check the good working order of all its various components.
- (6) Check all correct lowering motion of the seating assembly in order to make sure that there are no friction points and that it operates without any problems.

**Zodiac Seats France**  
**COMPONENT MAINTENANCE MANUAL**  
**RL-SERIES**

C. Procedure

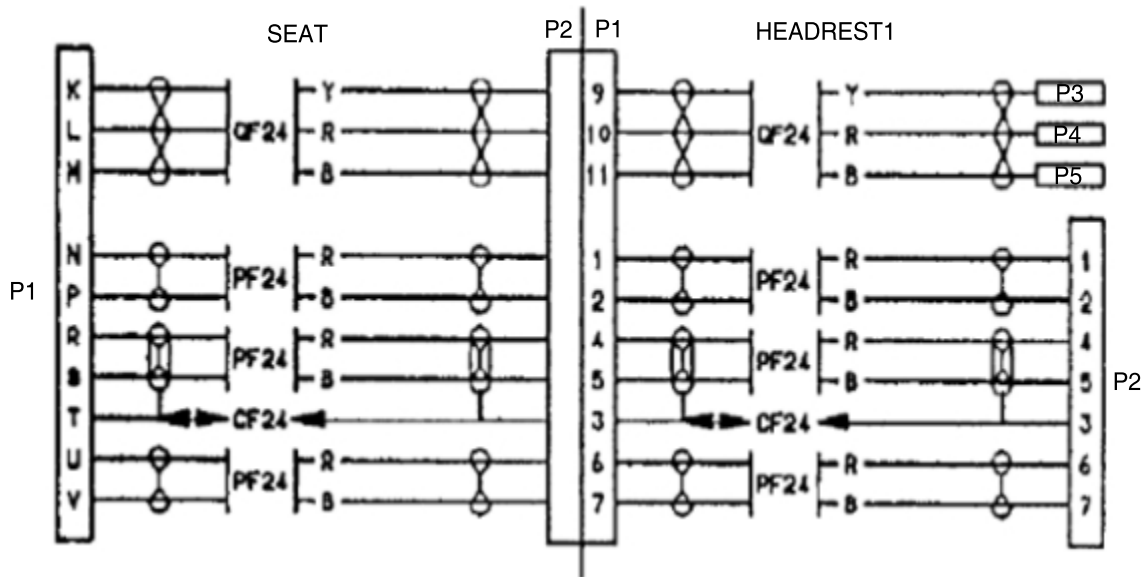
- (1) The tests consist in placing the chair in its operational position and checking the good working order of all its various components.

Check the correct lowering motion of the seating assembly, its manually return as well as the door movements in order to make sure that there are no friction points and that it operates without any problems.

Continuity Test

- Do a continuity test between connectors P1 and P2 with a multimeter before you connect the pins to the plug:

P1 contact	P2 contact
1	1
2	2
4	4
5	5
3	3
6	6
7	7



CONTINUITY TEST

Figure 1001/GRAPHIC-25-11-79-991-101-A01

**Zodiac Seats France**  
**COMPONENT MAINTENANCE MANUAL**  
**RL-SERIES**

**TASK 25-11-79-810-801-A01**

2. FAULT ISOLATION

A. General

- (1) The probable failures causes for this cabin attendant seat could be due to a defective assembly or adjustment during the assembly of various sub-assemblies.
- (2) An incorrect use could be a source of incidents ; in all these cases, remove and replace the defective parts.
- (3) Having carried out the indicated repairs, try out the seat again in order to make sure that the fault no longer exists ([Refer to DESCRIPTION AND OPERATION](#)).

NOTE : Structural or attaching hardware has not been covered in the fault isolation procedure. These items have no operational, characteristics to check; this a visual inspection for looseness, broken, cracked or damaged parts will indicate the cause of the trouble and the corrective action to be taken.

- (4) Faults in the seat assembly can be located by using the table below, applicable to a subassembly or to an individual part.

**Zodiac Seats France**  
**COMPONENT MAINTENANCE MANUAL**  
**RL-SERIES**

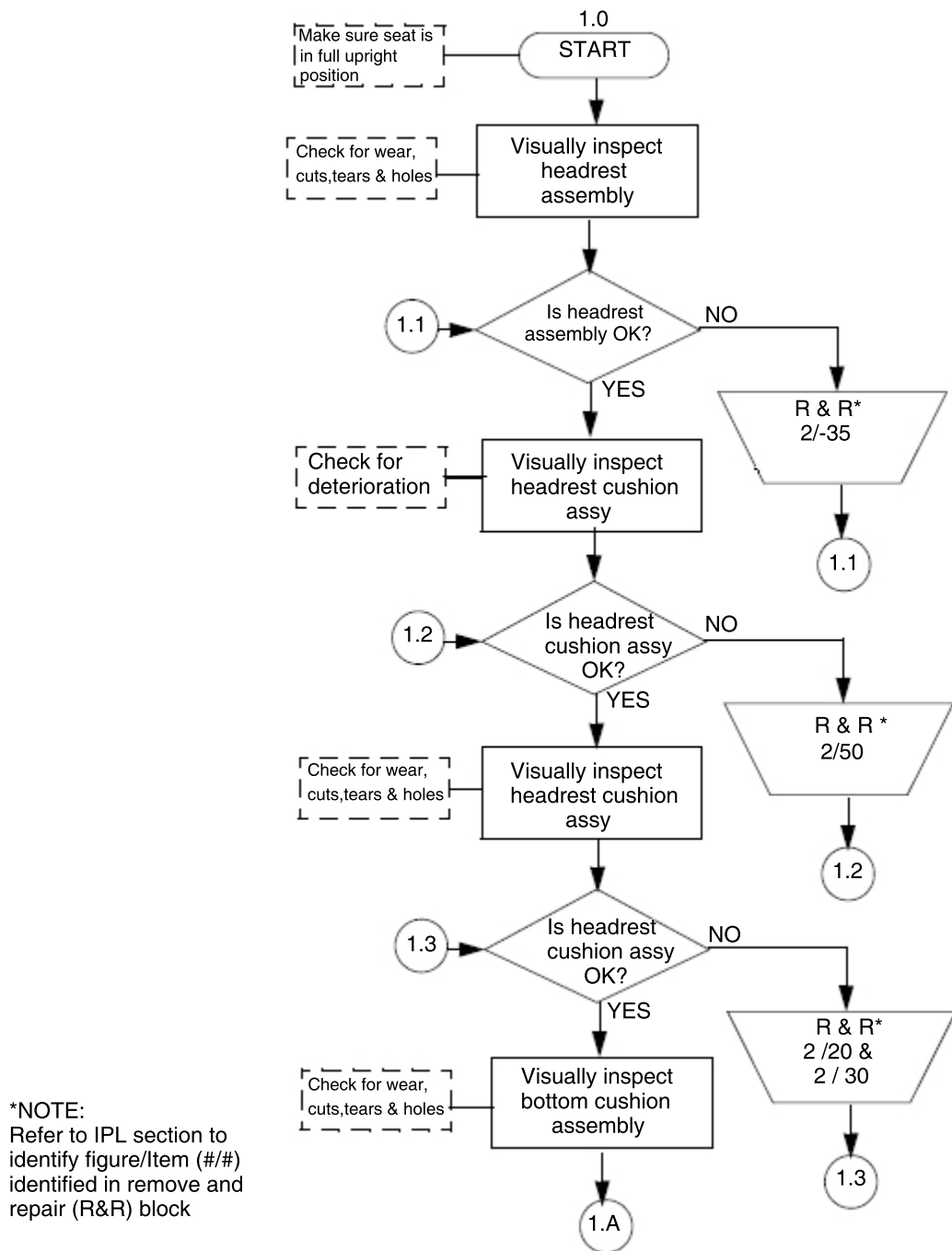
B. Fault isolation chart

(Refer to Table 1002)

FAULT	POSSIBLE CAUSE	CORRECTION
Seat pan does not open correctly.	Tension spring weakened or broken.	Replace spring.
	Articulation seized up.	Remove clean and lubricate shaft.
Stowage door does not close correctly.	Latch not properly adjusted.	Adjust latch.
	Latch broken.	Replace latch.
Restraint system Reel does not function correctly.	Defective Reels.	Replace Reels.
Seat pan does not open properly.	Lock pin badly adjusted.	Adjust lock pin.
	Lock spring weakened or broken.	Replace lock pin.
	Springs weakened or broken.	Return seat to manufacturer.
Seat bottom does not locking correctly on basic structure.	Broken or damaged lever spring.	Replace lever spring.
	Bottom support improperly adjusted.	Correct adjustment screw with nut.

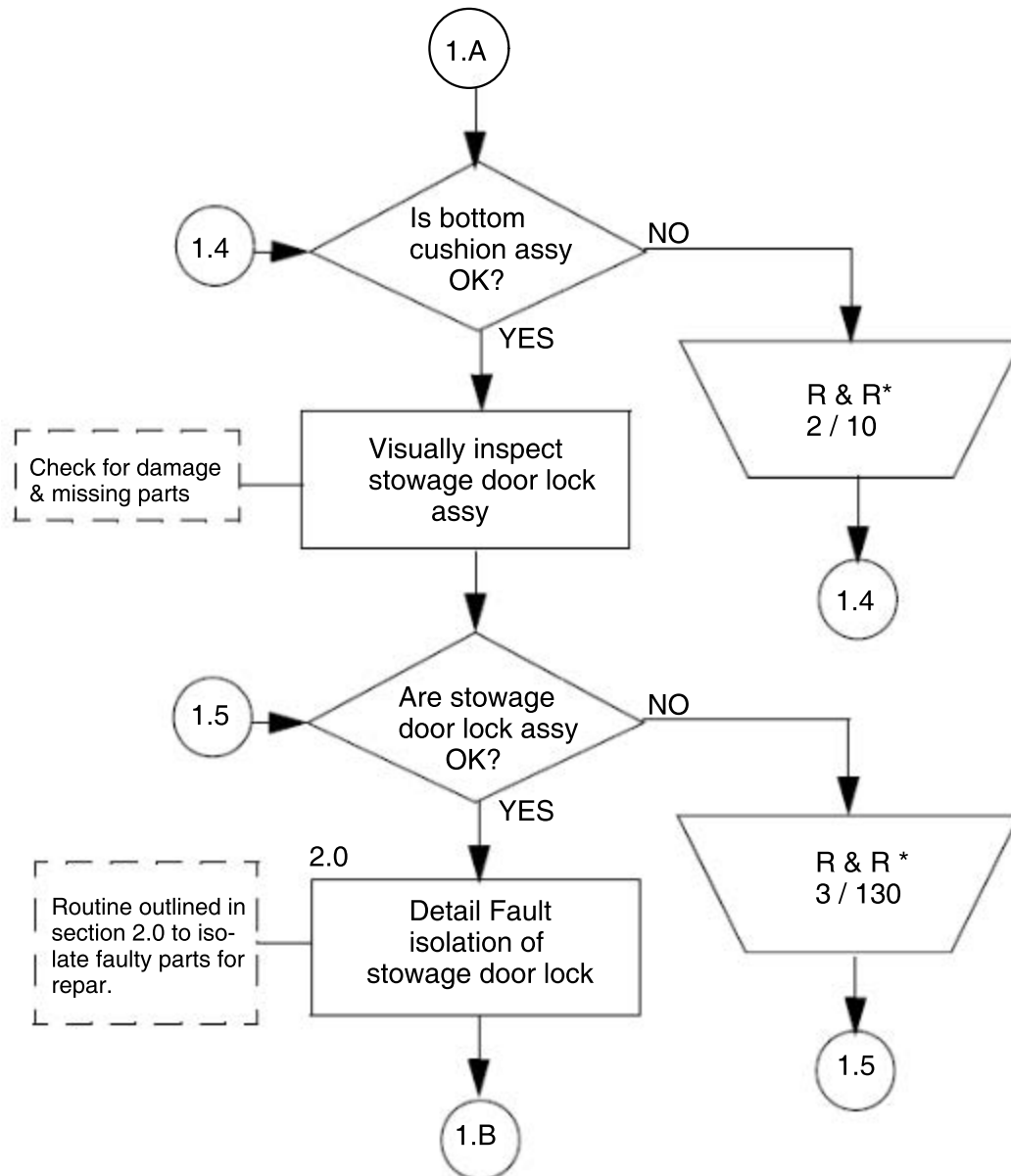
Table 1002 / FAULT ISOLATION CHART

**Zodiac Seats France**  
**COMPONENT MAINTENANCE MANUAL**  
**RL-SERIES**



FAULT ISOLATION FLOWCHART - SEAT ASSEMBLY (Sheet 1 of 3)  
 Figure 1002/GRAPHIC-25-11-79-991-102-A01

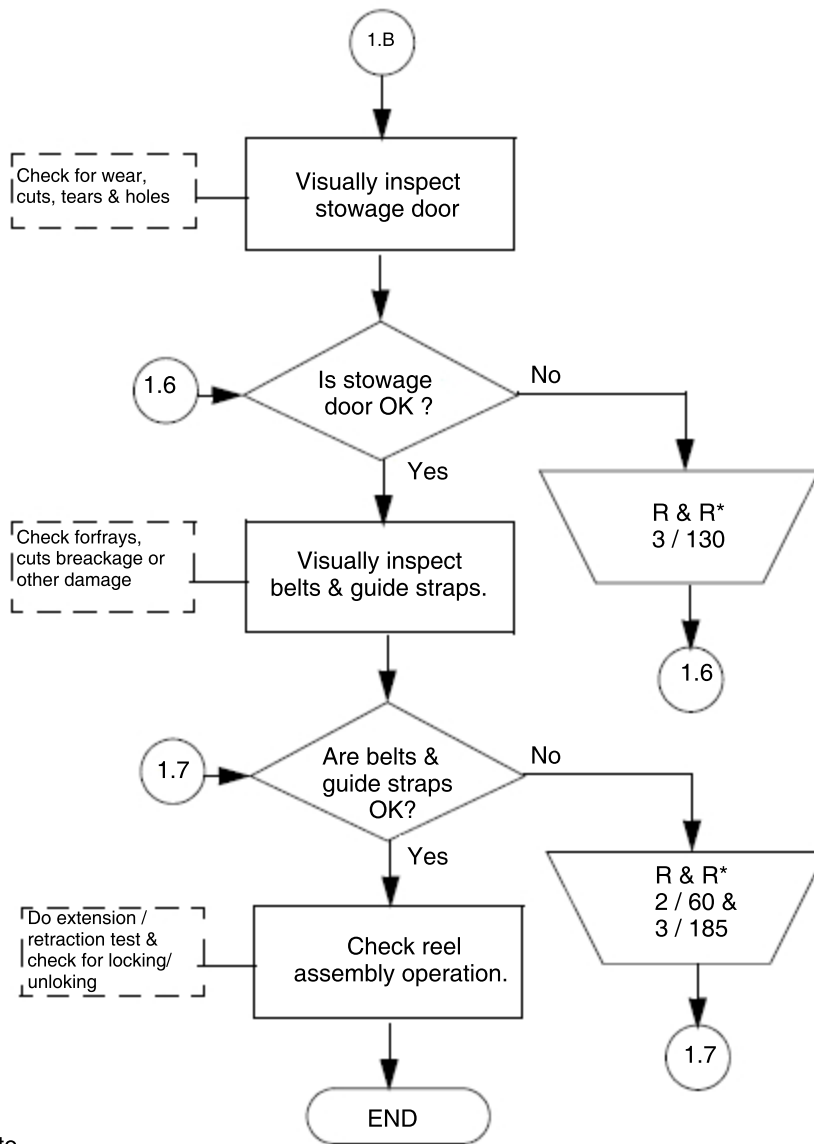
**Zodiac Seats France**  
**COMPONENT MAINTENANCE MANUAL**  
**RL-SERIES**



\*NOTE:  
Refer to IPL section to identify figure/Item (#/#) identified in remove and repair (R&R) block

FAULT ISOLATION FLOWCHART - SEAT ASSEMBLY (Sheet 2 of 3)  
Figure 1002/GRAPHIC-25-11-79-991-102-A01

**Zodiac Seats France**  
**COMPONENT MAINTENANCE MANUAL**  
**RL-SERIES**



\*NOTE:  
 Refer to IPL section to identify figure/Item (##/#) identified in remove and repair (R&R) block

FAULT ISOLATION FLOWCHART - SEAT ASSEMBLY (Sheet 3 of 3)  
 Figure 1002/GRAPHIC-25-11-79-991-102-A01

**Zodiac Seats France**  
**COMPONENT MAINTENANCE MANUAL**  
**RL-SERIES**

THIS PAGE INTENTIONALLY LEFT BLANK

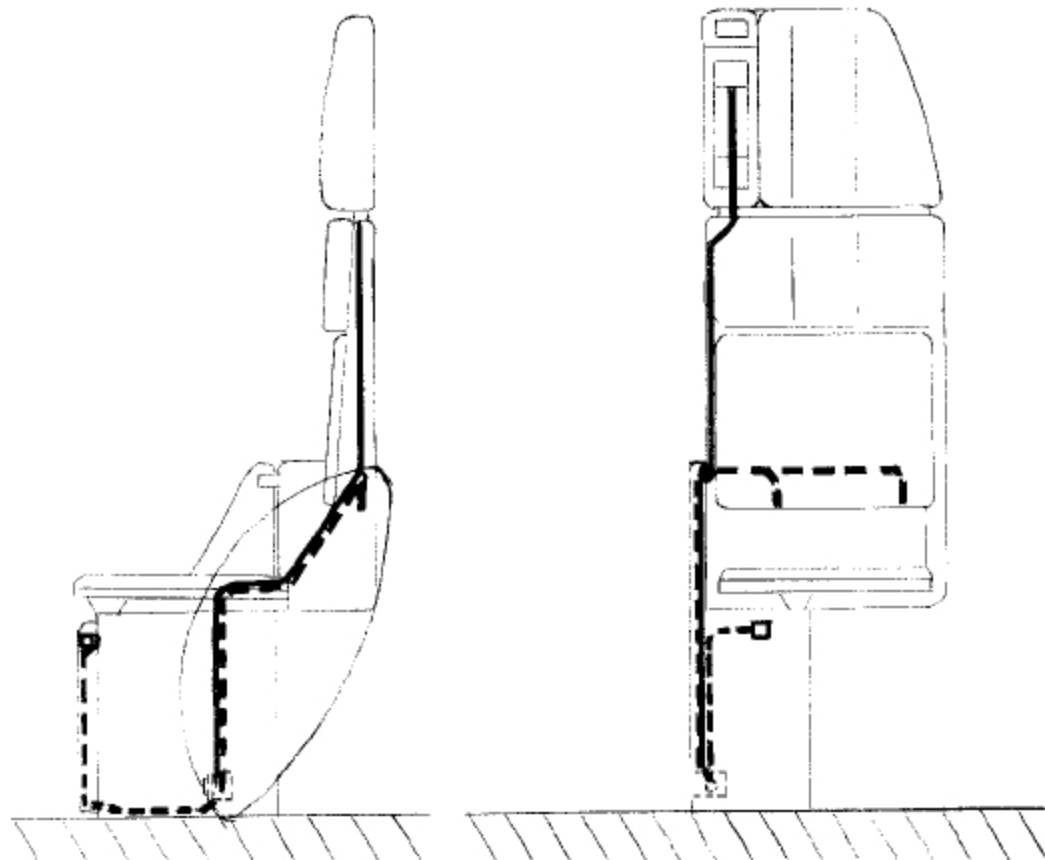
## SCHEMATICS AND WIRING DIAGRAMS

### **TASK 25-11-79-995-801-A01**

#### 1. ELECTRICAL DIAGRAM

- For electrical diagram, (Refer to Fig. 2001).

**———— Intercom Wiring**  
**- - - - - Heating Cushions Wiring**



ELECTRICAL DIAGRAM - ROTATING SEATS  
Figure 2001/GRAPHIC-25-11-79-991-201-A01

**Zodiac Seats France**  
**COMPONENT MAINTENANCE MANUAL**  
**RL-SERIES**

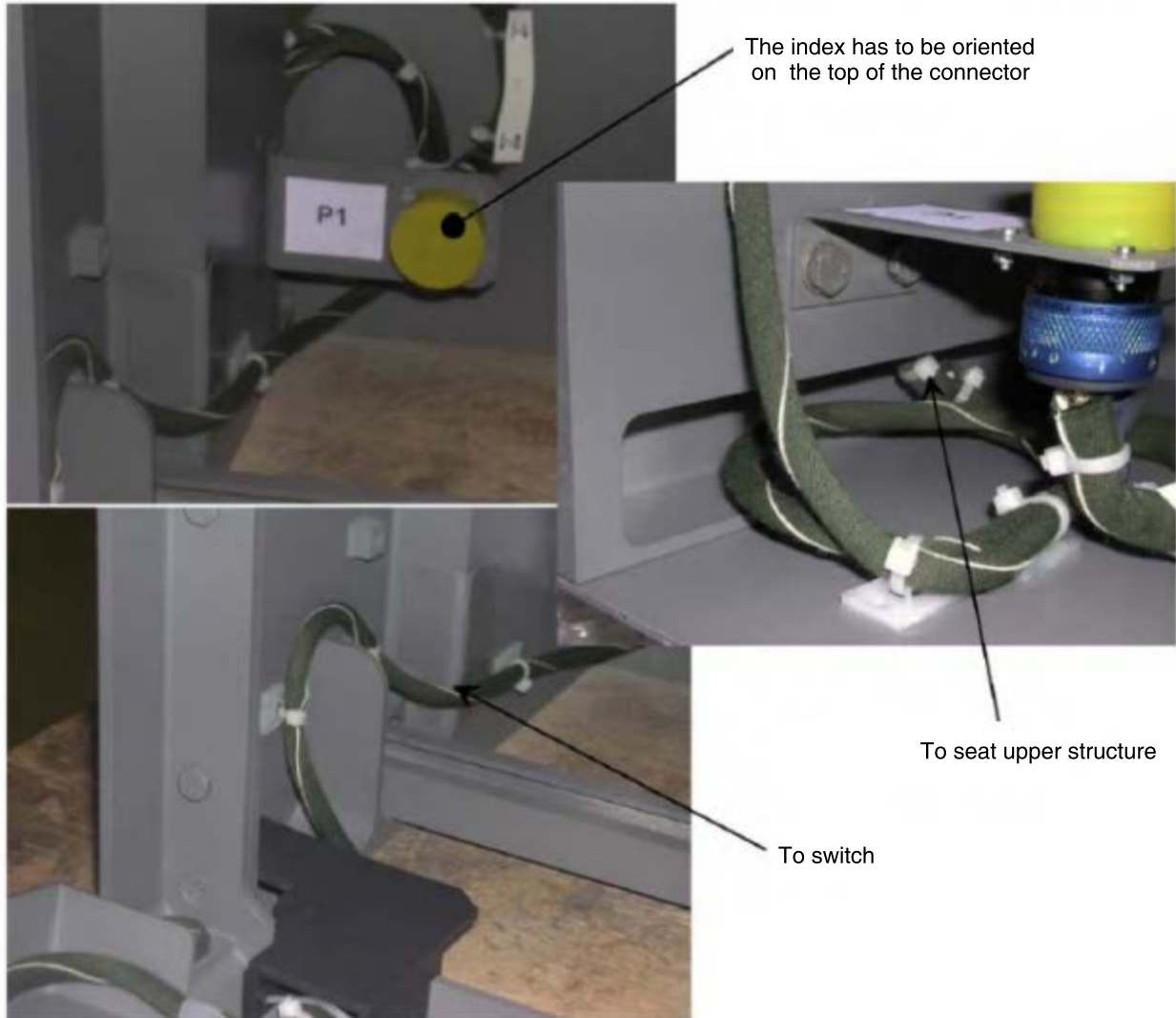
THIS PAGE INTENTIONALLY LEFT BLANK

**Zodiac Seats France**  
**COMPONENT MAINTENANCE MANUAL**  
**RL-SERIES**

**TASK 25-11-79-995-802-A01**

2. WIRING INSTALLATION

A. For seats RL27 type, (Refer to Fig. 2002).



WIRING INSTALLATION - RL 27 TYPE (Sheet 1 of 3)  
Figure 2002/GRAPHIC-25-11-79-991-202-A01

**Zodiac Seats France**  
**COMPONENT MAINTENANCE MANUAL**  
**RL-SERIES**



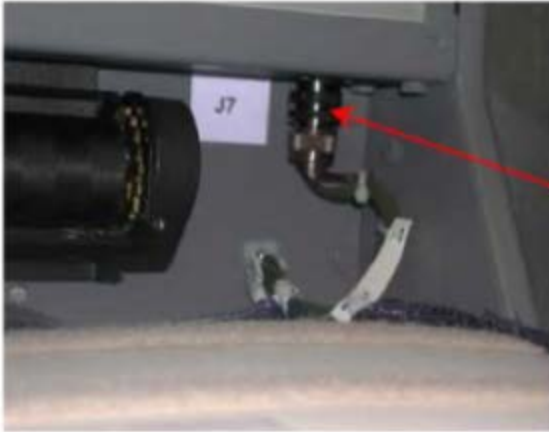
Stowage Door

WIRING INSTALLATION - RL 27 TYPE (Sheet 2 of 3)  
Figure 2002/GRAPHIC-25-11-79-991-202-A01

**25-11-79**

Page 2004  
Jul 23/18

**Zodiac Seats France**  
**COMPONENT MAINTENANCE MANUAL**  
**RL-SERIES**



Power supply connector for heated cushions

Index has to be on the front



Power supply for bottom cushion



Power supply for backrest cushion

WIRING INSTALLATION - RL 27 TYPE (Sheet 3 of 3)  
Figure 2002/GRAPHIC-25-11-79-991-202-A01

**25-11-79**

Page 2005  
Jul 23/18

**Zodiac Seats France**  
**COMPONENT MAINTENANCE MANUAL**  
**RL-SERIES**

THIS PAGE INTENTIONALLY LEFT BLANK

## **DISASSEMBLY**

### **TASK 25-11-79-000-801-A01**

#### 1. DISASSEMBLY

##### A. Reason for the job

- (1) This chapter includes the instructions (necessary tools, procedures) to do the disassembly of the seat.

##### B. Job set-up information

**WARNING : DO NOT LIFT AND MOVE THE SEAT BY THE ARMRESTS (IF APPLICABLE).**

**CAUTION :** DO NOT REMOVE RIVETED ASSEMBLIES OR COMPONENT PARTS UNLESS DAMAGE NECESSITATES REPLACEMENT BY AN AVAILABLE PART. REMOVAL AND REINSTALLATION OF RIVETS DONE AGAIN AND AGAIN WILL CAUSE WEAR OF THE ADJACENT MATERIAL. REPLACE THE NEXT HIGHER ASSEMBLY WHEN DAMAGE IN THESE AREAS. REFER TO THE ILLUSTRATED PARTS LIST WHICH CONTAINS A COMPLETE ENUMERATION OF THE AVAILABLE PARTS.

**CAUTION :** THE TRACK ATTACHING, FITTINGS OR MOUNTING SURFACES OF THE SEAT ASSEMBLIES WILL BE DAMAGED IF YOU MOVE BY SLIDING THEM ACROSS FLOOR SURFACES BY THE ABRASIVE REMOVAL OF METAL FROM THESE AREAS.

**NOTE :** Complete disassembly of the seat assembly is neither anticipated nor recommended. The degree of disassembly carried out should not be more than necessary. For the identification of damage or functional failure ([Refer to INSPECTION/CHECK](#)) and ([Refer to TESTING AND FAULT ISOLATION](#)).

**NOTE :** After removal of the seat assembly from the aircraft, the use of an applicable frame to simulate the applicable aircraft mounting provisions is recommended to help maintenance and repair.

**NOTE :** Before disassembly mark all parts in order to help subsequent assembly and to prevent any assembly errors.

**Zodiac Seats France**  
**COMPONENT MAINTENANCE MANUAL**  
**RL-SERIES**

- (1) Tools, features and equipment  
 (Refer to Table 3001)

REFERENCE	QTY	DESIGNATION
No specific	As Required	Standard mechanics technician's tool

Table 3001 / TOOLS, FEATURES AND EQUIPMENT

C. Procedure

**SUBTASK 25-11-79-020-001-A01**

- (1) Removal of the upholstery  
 (Refer to IPL FIG. 2)  
 (Refer to IPL FIG. 7)
- (a) Remove cushions from their supports.  
NOTE : The cushions are fixed with "Auto-Agrip".
- (b) Remove the foams (2-10), (2-20), (2-30) and (7-25) from their covers (2-5), (2-15), (2-25) and (7-20) from their cushions.

**SUBTASK 25-11-79-020-002-A01**

- (2) Removal of the seat pan equipped  
 (Refer to IPL FIG. 3)  
 (Refer to IPL FIG. 4)
- (a) Loosen screws (3-45) then remove spring support (3-40) from the reel support (3-30).  
NOTE : Hold firmly the support (3-40) of the spring (4-55) or (4-55A) while removing the fixing screws and be careful that the spring does not get deployed. in case of the non respect of the above instructions, the operators could be injured and zodiac seats france will not take any responsibility.
- (b) Loosen screws (4-60), remove shafts (4-50A) then disassembly seat pan from seat assembly.

**SUBTASK 25-11-79-020-003-A01**

- (3) Removal of the stowage door assembly  
 (Refer to IPL FIG. 3)
- (a) Loosen screws (3-145) and (3-155), pull out shaft (3-150) then remove door assembly (3-125).

**Zodiac Seats France**  
**COMPONENT MAINTENANCE MANUAL**  
**RL-SERIES**

**SUBTASK 25-11-79-020-004-A01**

- (4) Removal of the handle  
(Refer to IPL FIG. 3)
  - (a) Remove spring (3-105).
  - (b) Loosen screw (3-100), pull out shaft (3-95), remove washer (3-90) then disengage lever (3-85).

**SUBTASK 25-11-79-020-005-A01**

- (5) Removal of the restraint system assembly  
(Refer to IPL FIG. 3)  
(Refer to IPL FIG. 7)
  - (a) Upper belts removal
    - 1 For reels type restraint system
      - a Loosen screws (3-190) and strap guides (3-185).
      - b Loosen screws (3-50) then disengage reels assy from belt support (3-30).
    - 2 For buckle type restraint system
      - a Disengage the metal buckle from the strap then remove the strap from the backrest assembly (3-6).
  - (b) Lap belts removal
    - 1 Loosen screws (3-170) and spacers (3-165) then remove lap belts.

**SUBTASK 25-11-79-020-006-A01**

- (6) Removal of the intercom handset  
(Refer to IPL FIG. 5)
  - (a) Disconnect intercom harness (5-100) from intercom handset after separation of locking lever kit (5-115).
  - (b) Disconnect female locking (5-45) from the harness (5-50) then remove the screw (5-80) and remove washers (5-90) and the nut (5-91) with the retaining cable (5-55).
  - (c) Loosen nut (5-30), remove washer (5-25) with screws (5-20) then separate connector from support connector (5-5).

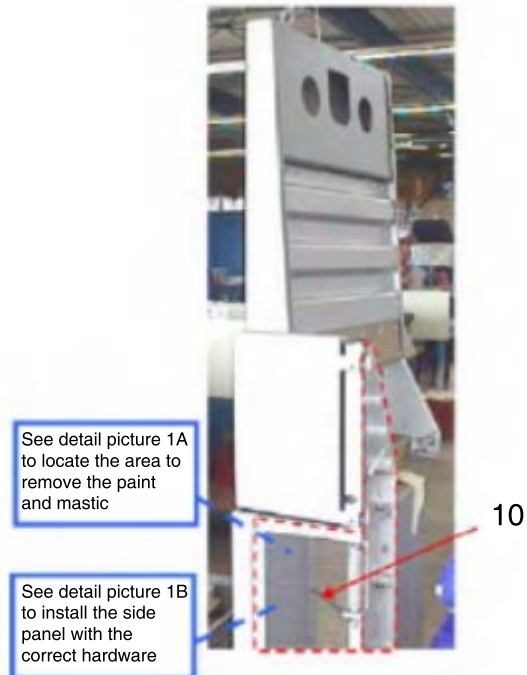
**SUBTASK 25-11-79-020-007-A01**

- (7) Removal of the headrest equipped  
(Refer to IPL FIG. 7)
  - (a) Lift up the headrest and disengage it from the backrest structure.

**Zodiac Seats France**  
**COMPONENT MAINTENANCE MANUAL**  
**RL-SERIES**

**SUBTASK 25-11-79-020-008-A01**

- (8) Procedure for the old spring P/N 153500-03 removal (PRE SB153-25-068)
- (a) Remove the side panel (10) by removing the existing rivets and screws (Refer to Fig. 3001).

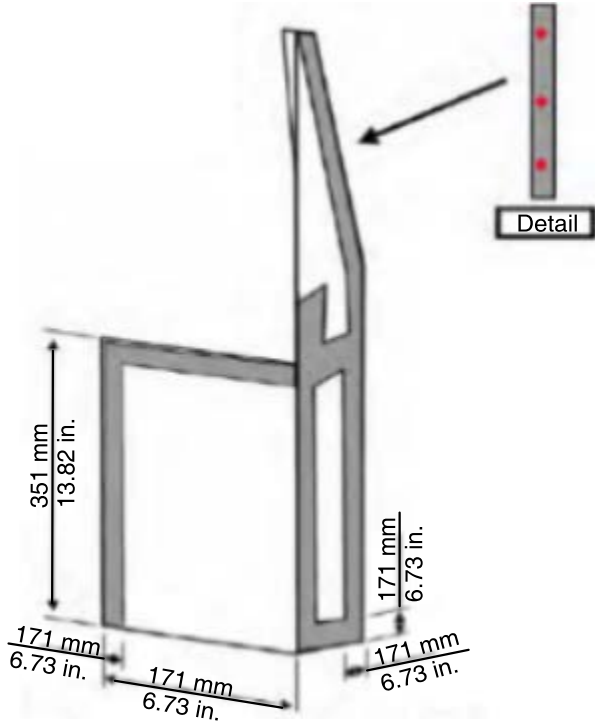


**PROCEDURE FOR THE OLD SPRING P/N 153500-03 REMOVAL**

Figure 3001/GRAPHIC-25-11-79-991-301-A01

**NOTE :** To remove the side panel, the paint have to be removed. Some mastic have to be removed also (Refer to Fig. 3002).

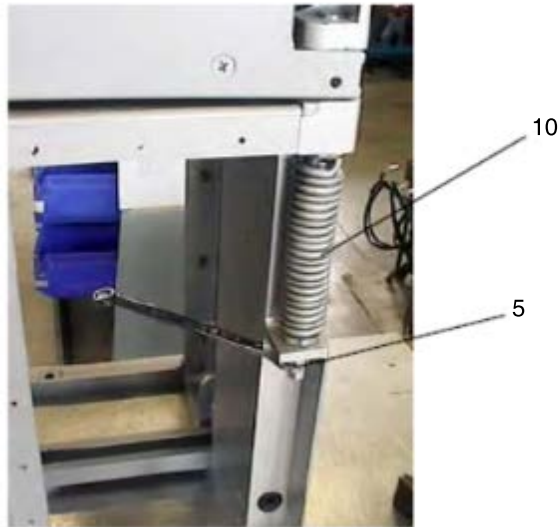
**Zodiac Seats France**  
**COMPONENT MAINTENANCE MANUAL**  
**RL-SERIES**



PROCEDURE FOR THE OLD SPRING P/N 153500-03 REMOVAL  
Figure 3002/GRAPHIC-25-11-79-991-302-A01

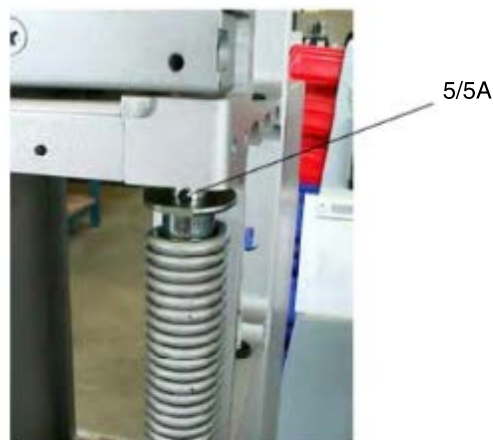
**Zodiac Seats France**  
**COMPONENT MAINTENANCE MANUAL**  
**RL-SERIES**

- (b) Using two flat spanners (8 mm (0.31 in.) ) turn anticlockwise (180°) the shaft (5) to make the spring (10) in extension ([Refer to Fig. 3003](#)).



PROCEDURE FOR THE OLD SPRING P/N 153500-03 REMOVAL  
Figure 3003/GRAPHIC-25-11-79-991-303-A01

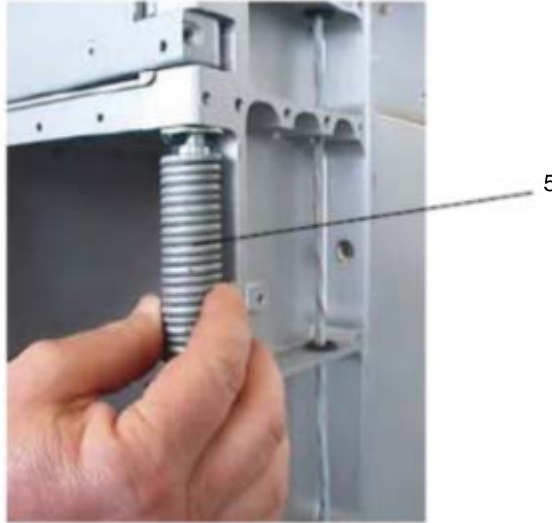
- (c) Remove the two mecanindus pins (5 and 5A) (compound installation) from the shaft ([Refer to Fig. 3004](#)).



PROCEDURE FOR THE OLD SPRING P/N 153500-03 REMOVAL  
Figure 3004/GRAPHIC-25-11-79-991-304-A01

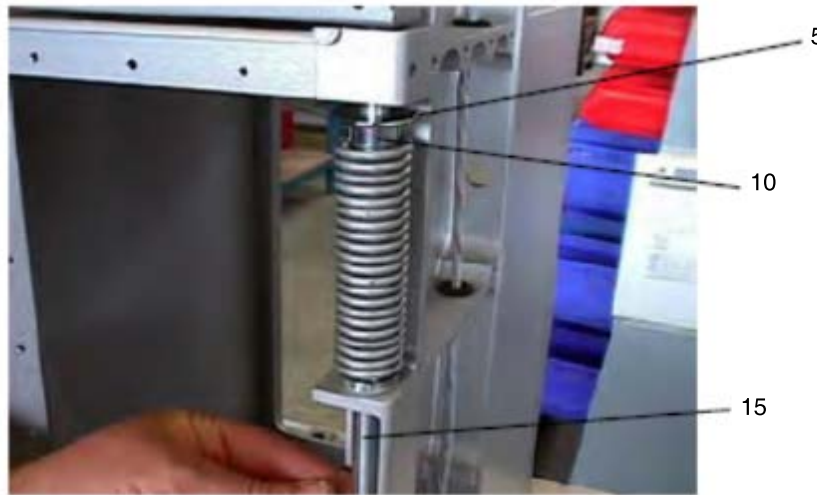
**Zodiac Seats France**  
**COMPONENT MAINTENANCE MANUAL**  
**RL-SERIES**

- (d) Pull the spring (5) fully downwards (Refer to Fig. 3005).



PROCEDURE FOR THE OLD SPRING P/N 153500-03 REMOVAL  
Figure 3005/GRAPHIC-25-11-79-991-305-A01

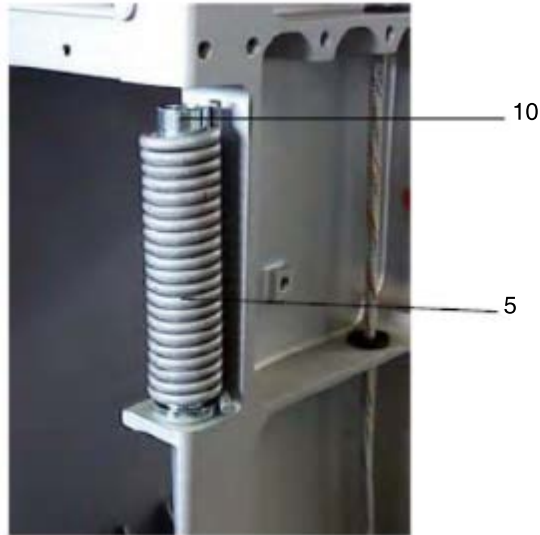
- (e) Remove the washer (5) onto the top of the guide (10) then fully move the shaft (15) through the guide and the seat structure (Refer to Fig. 3006).



PROCEDURE FOR THE OLD SPRING P/N 153500-03 REMOVAL  
Figure 3006/GRAPHIC-25-11-79-991-306-A01

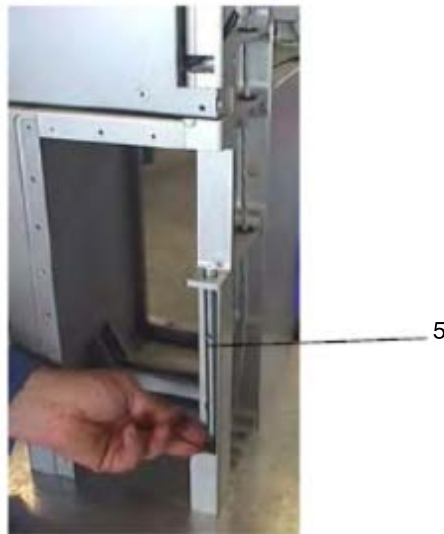
**Zodiac Seats France**  
**COMPONENT MAINTENANCE MANUAL**  
**RL-SERIES**

- (f) Remove the spring (5) onto the guide (10) then remove the two pieces from the structure (Refer to Fig. 3007).



PROCEDURE FOR THE OLD SPRING P/N 153500-03 REMOVAL  
Figure 3007/GRAPHIC-25-11-79-991-307-A01

- (g) Remove the shaft (5) from the structure (Refer to Fig. 3008).

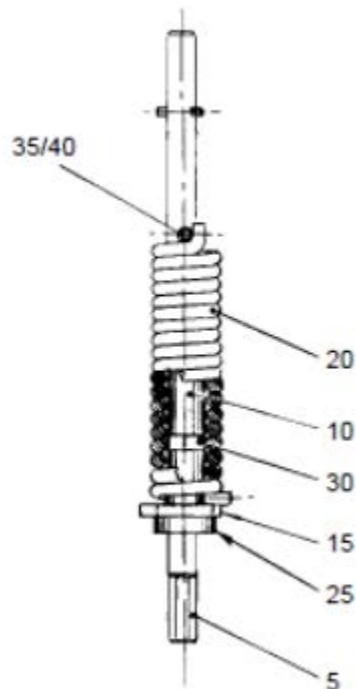


PROCEDURE FOR THE OLD SPRING P/N 153500-03 REMOVAL  
Figure 3008/GRAPHIC-25-11-79-991-308-A01

**Zodiac Seats France**  
**COMPONENT MAINTENANCE MANUAL**  
**RL-SERIES**

**SUBTASK 25-11-79-020-009-A01**

- (9) Procedure for the new spring P/N 183100-160-2 removal (POST SB153-25-068)  
(Refer to Fig. 3009)
- (a) Using two flat spanners (8 mm (0.31 in.) ) turn counterclockwise (180°) the shaft P/N 153500-15 (5) to make the spring P/N 183100-160-2 (20) in extension.
  - (b) Remove the two mecanindus pins P/N GPMECAE4X25 (35) and GPMECAE2-5X25 (40) (compound installation) from the shaft P/N 153500-15 (5).
  - (c) Pull the spring P/N 183100-160-2 (20) fully downwards.
  - (d) Remove the spacer P/N 183100-165-0 (25) onto the top of the upper guide P/N 153500-14 (10) then fully move the shaft P/N 153500-15 (5) through the guide and the seat structure.
  - (e) Remove the spring P/N 183100-160-2 (20) onto the upper guide P/N 153500-14 (10) then remove the two pieces from the structure.
  - (f) Remove the shaft P/N 153500-15 (5) from the structure.



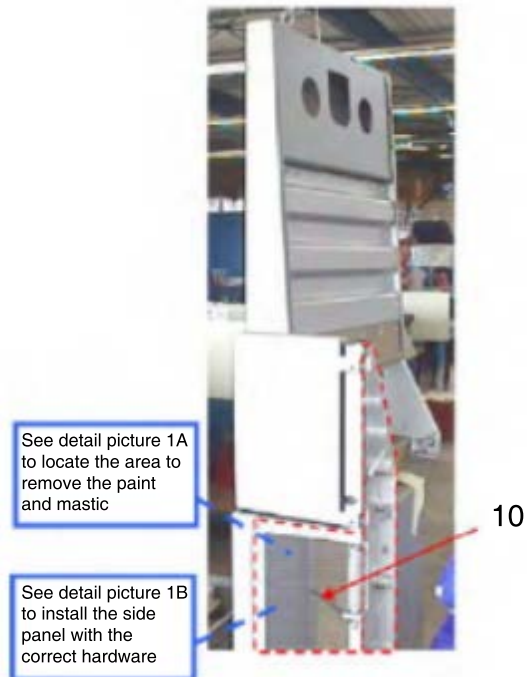
PROCEDURE FOR THE NEW SPRING P/N 183100-160-2 REMOVAL  
Figure 3009/GRAPHIC-25-11-79-991-309-A01

**Zodiac Seats France**  
**COMPONENT MAINTENANCE MANUAL**  
**RL-SERIES**

**SUBTASK 25-11-79-020-010-A01**

(10) Procedure for electrical harness replacement

- (a) Remove the side panel (10) by removing the existing rivets and screws  
(Refer to Fig. 3010).



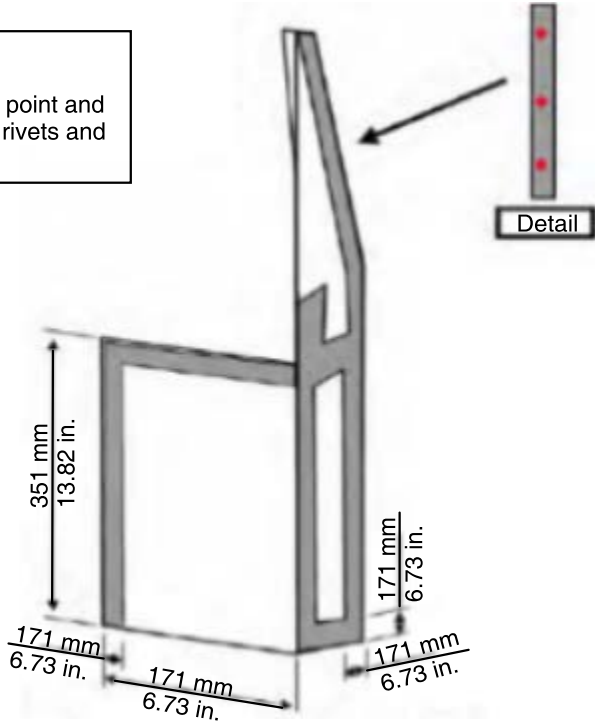
**PROCEDURE FOR ELECTRICAL HARNESS REPLACEMENT**

Figure 3010/GRAPHIC-25-11-79-991-310-A01

NOTE : To remove the side panel, the paint have to be removed. Some mastic have to be removed also (Refer to Fig. 3011).

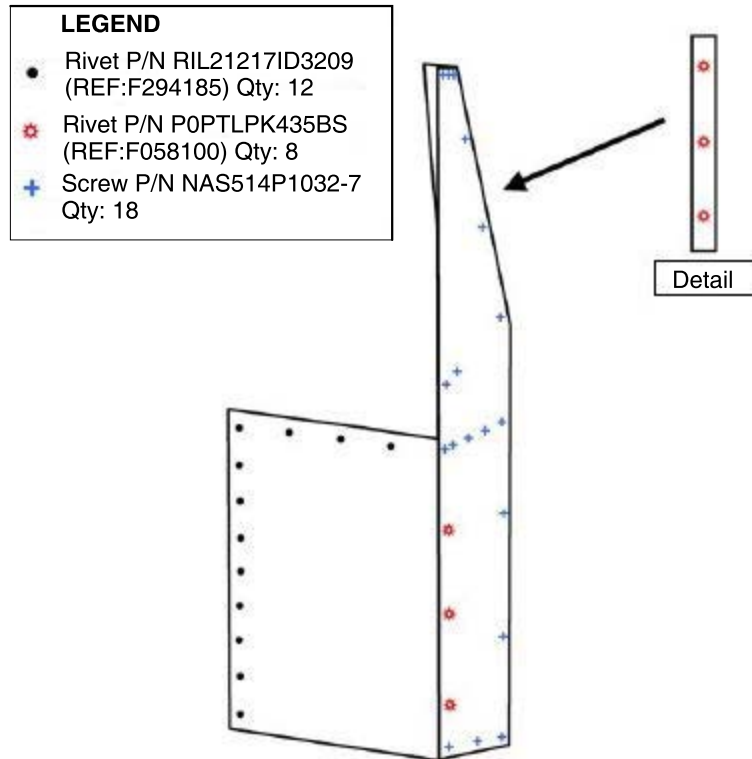
**Zodiac Seats France**  
**COMPONENT MAINTENANCE MANUAL**  
**RL-SERIES**

LEGEND:  
[Grey Box] Area to remove the point and the mastic to locate the rivets and the screws



PROCEDURE FOR ELECTRICAL HARNESS REPLACEMENT  
Figure 3011/GRAPHIC-25-11-79-991-311-A01

**Zodiac Seats France**  
**COMPONENT MAINTENANCE MANUAL**  
**RL-SERIES**

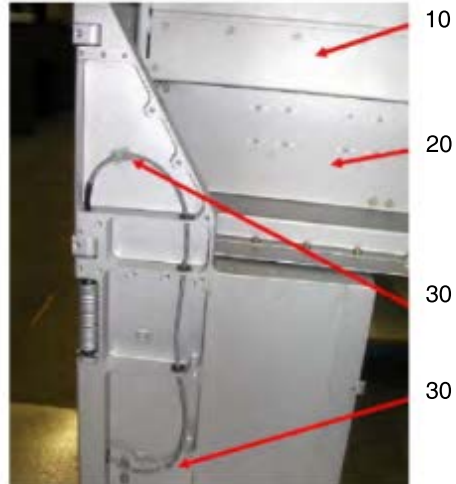


DETAIL VIEW to install the side panel with the correct hardware

**PROCEDURE FOR ELECTRICAL HARNESS REPLACEMENT**  
**Figure 3012/GRAPHIC-25-11-79-991-312-A01**

**Zodiac Seats France**  
**COMPONENT MAINTENANCE MANUAL**  
**RL-SERIES**

- (b) Remove the backrest sheet metal (10) and the reel support equipped (20) (Refer to Fig. 3013).



PROCEDURE FOR ELECTRICAL HARNESS REPLACEMENT  
Figure 3013/GRAPHIC-25-11-79-991-313-A01

- (c) Remove backrest side panel (10) (Refer to Fig. 3014 figure 3014).



PROCEDURE FOR ELECTRICAL HARNESS REPLACEMENT  
Figure 3014/GRAPHIC-25-11-79-991-314-A01

**Zodiac Seats France**  
**COMPONENT MAINTENANCE MANUAL**  
**RL-SERIES**

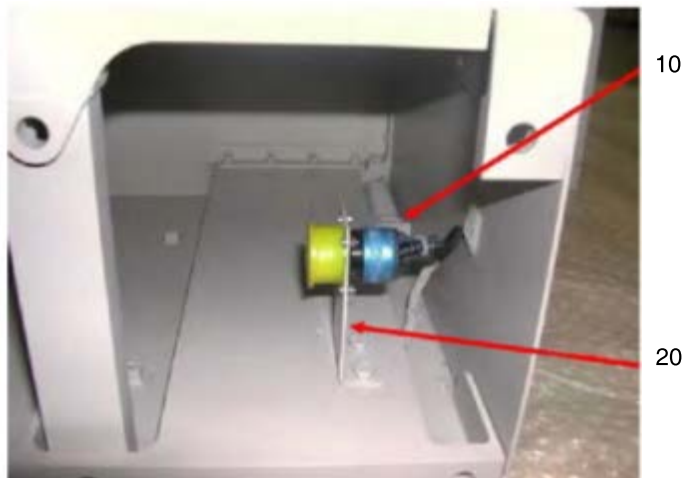
- (d) Remove the Harness retaining strap (10) (Refer to Fig. 3015) and disengage the harness from its adhesive supports (30) (Refer to Fig. 3013).



PROCEDURE FOR ELECTRICAL HARNESS REPLACEMENT  
Figure 3015/GRAPHIC-25-11-79-991-315-A01

(Applicable to alfa)

- (e) Remove the connector P/N 8525-10R14-B19 PNH (10) from its support (20) and disconnect the plug from the harness figure 3016.



PROCEDURE FOR ELECTRICAL HARNESS REPLACEMENT  
Figure 3016/GRAPHIC-25-11-79-991-316-A01

- (f) Then you can remove the harness from the seat structure starting from the base and up to the backrest.
- (g) To install the new harness P/N 153605, reverse the above mentioned steps. (Refer to Fig. 3010 figure 3010 ) (1B) to re-install the side panel).

## **CLEANING**

### **TASK 25-11-79-100-801-A01**

#### 1. CLEANING

##### A. Reason for the job

- (1) Thorough cleaning is essential to any close inspection to determine the presence, extent and location of possible defects. External surfaces and upholstery should be periodically checked and cleaned.

##### B. Job set-up information

**WARNING :** USE CLEANING AGENTS ONLY IN AN AREA WITH A GOOD SUPPLY OF AIR. OBEY LOCAL SAFETY AND HEALTH INSTRUCTIONS. OBEY THE MANUFACTURERS INSTRUCTIONS. PUT ON PROTECTIVE CLOTHING. DO NOT DRINK SOLVENTS/ CLEANING AGENTS. DO NOT SMOKE. DO NOT BREATHE THE FUMES. SOLVENT/ CLEANING AGENTS ARE POISONOUS AND FLAMMABLE. USE THE APPROVED HAND AND EYE PROTECTION WHEN YOU APPLY THE CLEANING AGENT. IF YOU GET THE CLEANING AGENT ON YOUR SKIN OR IN YOUR EYES:  
- FLUSH IT AWAY WITH CLEAN WATER.  
- GET MEDICAL AID.

**CAUTION :** USE ONLY SPECIFIED MATERIALS OR THEIR EQUIVALENT. MATERIALS THAT ARE NOT SPECIFIED CAN DAMAGE THE SURFACE PROTECTION.

**CAUTION :** DURING THE CLEANING, PREVENT DAMAGE TO THE ACTUATOR, HARNESS, SWITCH AND RECLINE LOCK. DRY THE SEAT AFTER ANY CLEANING.

**NOTE :** The table below lists cleaning agents and materials for use on the seat assembly.

**NOTE :** You can use equivalent alternatives for items in the lists.

**Zodiac Seats France**  
**COMPONENT MAINTENANCE MANUAL**  
**RL-SERIES**

(1) Consumables

USAGE	QTY	DESIGNATION
Metal, dirt and grime	As Required	Soap and water (Ivory liquid soap), chlorinated dry cleaning solvent.
Metal, grease and oil	As Required	Hexane, isopropyl alcohol, grain alcohol (ethanol). Chlorinated dry cleaning solvent.
Fabric backed vinyls	As Required	Soap and water (Ivory liquid soap).
Polycarbonate/ABS fairing dirt and grime	As Required	Soap and water only.
Leather	As Required	Saddle soaps.
Sheepskin	As Required	Soap such Ivory liquid containing no enzymes and a neutral pH. Do not use Woolite.

Table 4001 / CONSUMABLES

C. Procedure

**SUBTASK 25-11-79-160-001-A01**

(1) Polycarbonate/ABS fairing

**CAUTION :** CLEANING AGENTS WITH CHLORINATED SOLVENTS, METHYLATED SPIRIT, ACETONE AND/OR STRONG DETERGENTS WITH HIGH AMMONIA OR ALKALINE CONTENTS ARE STRICTLY FORBIDDEN. STEAM CLEANING IS STRICTLY FORBIDDEN. THE USE OF ABOVE MENTIONED PRODUCT OR PROCEDURE WILL AFFECT THE MATERIAL PROPERTY, THEN IT BECOMES BRITTLE.

- (a) Extreme care should be taken in cleaning all plastics. Alcohol or bleaches based agents will never have to be used to clean any plastic materials.
- (b) All plastic surfaces should be cleaned with a mild soap (Ph < 7) and water solution.
- (c) Mix soap with water to obtain the desired concentration according to the strength needed for cleaning purposes.
- (d) Apply the solution directly to the surface and rub with a clean cloth to loosen any dirt and debris.
- (e) Rinse with clear water, then wipe off with a dry cloth.

**Zodiac Seats France**  
**COMPONENT MAINTENANCE MANUAL**  
**RL-SERIES**

**SUBTASK 25-11-79-160-002-A01**

(2) Upholstery cleaning procedures (seat covers and FBL)

(a) Machine cleaning procedure

1 Identification and classification of the stains

- a The covers must be examined before cleaning in order to identify those having stains which will not be removed by machine cleaning, and therefore submit them to a pre-washing.
- b Machine cleaning can in fact alter these stains and make their successive elimination quite difficult.
- c As general criteria remember that the following stains are not directly removed in the machine, and therefore a pre-washing is necessary:
  - coca cola, wine, blood, fruit, sweat, food.
- d On the contrary, machine cleaning removes stains of:
  - coffee, fats, alcoholic drinks, some kinds of ink.
- e Generally stains can be recognized as follows:
  - coffee and ink stains for their color and neat outline,
  - wine, coca cola, alcoholic drinks and sweat stains for their extensive and shaded outline,
  - food and fat stains for their consistence,
  - fruit and blood stains are not easily recognizable.

2 Pre-washing

NOTE : Pre-washing is advisable for all of stains of uncertain nature.

a Pre-washing must be carried out as follows:

- Prepare a mixture of BC-2 Solugan, perchlorethylene and water using a 1 : 0.5 : 0.5 ratio. Quantity: about 1 liter (0.2642 gallon) of mixture for 30 covers. Put the mixture in a bucket and immerse the stained portion of the cover. Rubbing the fabric energetically until the characteristic dirt of the stain has disappeared. Wring the fabric by hand and repeat the operation if necessary.
- Prepare a mixture of Neptune, perchlorethylene and water using a 1 : 1 : 1 ratio. Quantity: about 1 liter (0.2642 gallon) of mixture for 30 covers. Perform the pre- washing as described above.

3 Preparation of covers

- a The adhesive stripes of all covers must be covered in order to prevent fraying of fabric at the end of the cleaning phase.

**Zodiac Seats France**  
**COMPONENT MAINTENANCE MANUAL**  
**RL-SERIES**

4 Preparation of the machine

- a At least once a day it is necessary to perform the following operations:
- to regenerate the perchlorethylene through distillation,
  - to add, directly into the reservoir, 1 liter (0.2642 gallon) of the pure additive used in pre-washing to every 100 liters (26.42 gallons) of perchlorethylene.

5 Washing phase

- a Before each load of covers add one of the following additives to the perchlorethylene, directly in the drum:
- BC-2 Solugan: prepare a mixture of additive, alcohol and water in a ratio of 1 : 1 : 1, for 1.5 liter (0.3963 gallon) of mixture (0.5 : 0.5 : 0.5) for each 40 kg (88.1848 lb) of covers to be washed.
  - Neptune: prepare a mixture of additive, alcohol and water in a ratio of 1 : 1 : 1, for 1.5 liter (0.3963 gallon) of mixture for every 20 kg (44.0924 lbs) of covers to be washed.

NOTE : The additive introduced in the drum must be the same as the one used for the pre-washing.

- b Before each load of covers add one of the following additives to the perchlorethylene, directly in the drum:
- Mix the perchlorethylene and the mixture before introducing the covers, in order to help the dispersion of the additive in the solvent.
  - Load the drum with the covers, making sure that the self fastening are covered ; the quantity of the covers must not be over 80% of the machine maximum operation load.
  - Wash for 5 minutes at room temperature.
  - Spin without exceeding 500 rpm for 3 minutes.
  - Rinse for 5 minutes with pure solvent at room temperature.
  - Dry at a temperature not exceeding 60°C (140°F).

6 Control and repetition of treatment

- a After drying take the covers out and check them, one by one, to separate those which still have stains.
- b These still having stains should be pre-washed once more the following steps (a) (2) and (a) (3) ; following this they should be machine washed, together with another load of the same type.

**Zodiac Seats France**  
**COMPONENT MAINTENANCE MANUAL**  
**RL-SERIES**

c The second pre-washing is essential to prevent the stain becoming even more resistant to removal.

7 Ironing and final control

a The covers which have not been rejected must be ironed and must be subjected to a more accurate control, to select and return to the cycle these still having stains.

(b) Dry cleaning procedure

NOTE : LANTAL (VS3859) wool or mohair fabrics, cleaned in accordance to the following recommendations can be dry cleaned up to 20 times without losing the flame resistant properties.

- 1 All hook (male) Auto-Agrip tapes must be covered with their counterpart (loop tape) to prevent damages to the fabric during the dry cleaning procedure.
- 2 The covers should be sprayed with a detergent activator and left for about 20 minutes before loaded to the dry cleaning machine. Heavily stained areas should be slightly brushed with a soft brush.
- 3 For the dry cleaning procedure, please follow the instructions of the machine supplier.
- 4 About 70 to 80% of the covers should become clean during pre-treatment and dry cleaning - depending on the cleaning system and kind of stains.
- 5 The spots still visible can be cleaned with a steam gun and then dry cleaning again. Before loaded to the dry cleaning machine, the fabric must be completely dry to prevent shrinkage ([Refer to Table 4002](#)).

STAIN	WHAT TO USE
Alcohol, Liquors	Use shampoo and then mop with methylated spirit.
Beer	Mop with tepid water (50 °C max. (122 °F max.)) with 3% methylated spirit.
Blood	Mop with cold water, then shampoo and use 5% ammonia.
Butter, Oil, Sauce	Mop with ethylic alcohol and perchlorethylene. Use shampoo and then 5% ammonia, if stain remains.
Chewing-gum	Mop with acetone or perchlorethylene.
Chocolate	Mop with tepid water (50 °C max. (122 °F max.)) or with 5% ammonia.
Coffee, Tea	Use shampoo and methylated spirit or 10% ammonia, if stain remains.

**Zodiac Seats France**  
**COMPONENT MAINTENANCE MANUAL**  
**RL-SERIES**

STAIN	WHAT TO USE
Egg	Mop with 5% ammonia or methylated spirit, then use shampoo.
Fruits, Food	Mop with tepid water and then use shampoo.
Glue, Paints	Use ethylic alcohol or perchlorethylene, then mop with tepid water or shampoo.
Grass, Vegetables	Moisten with methylated spirit.
Ink, Coal	Use absorbent paper, then mop with a solution of 30% methylated spirit and 70% water. Use also lemon juice.
Juice, Jam	Mop with tepid water (50 °C max. (122 °F max.)), if stain remains use ethylic alcohol or perchlorethylene.
Mayonnaise, Ketchup, Mustard	Use 10% ammonia and perchlorethylene, then use shampoo.
Milk, Ice cream, Cream	Use shampoo then mop with 5% ammonia or perchlorethylene.
Mud	Let it dry up and then use vacuum cleaner.
Shoe polish, Floor, Wax	Use ethylic alcohol or perchlorethylene. If stain remains use 5% ammonia or methylated spirit.
Sugar	Mop with tepid water and then use shampoo.
Tar	Mop with methylated spirit or perchlorethylene, then use shampoo.
Vomit, Urine, Trash	Mop with water and 50% vinegar or methylated spirit, then use shampoo.
Water	Absorb with a cleaned cloth and let it dry up. Use shampoo or alcohol on eventual rings.
Wax, Paraffin	Put on the seat absorbent paper and iron it. Mop with perchlorethylene and then use shampoo.
Wine, Drinks	Use a solution of 50% vinegar and then shampoo.

Table 4002 / CLEANING TABLE

**SUBTASK 25-11-79-160-003-A01**

(3) Metal parts

- (a) Moisten a clean, dry cloth with a dry cleaning solvent and thoroughly, wipe metal parts completely clean.
- (b) Repeat as necessary to remove the stubborn accumulations of dirt and grease. Dry with a fresh, clean and dry cloth.

**Zodiac Seats France**  
**COMPONENT MAINTENANCE MANUAL**  
**RL-SERIES**

**SUBTASK 25-11-79-160-004-A01**

- (4) Fabric-backed vinyl

**WARNING : KEEP CLEANING SOLVENT AWAY FROM SPARKS OR OPEN FLAMES. PREVENT INHALING FUMES OR LONG CONTACT OF SOLVENT WITH SKIN. SUPPLY SUFFICIENT AIRFLOW.**

- (a) This type of material should be cleaned with a mild soap and water solution, and wiped clean and dry. Do not use solvent-type of cleaners.

**SUBTASK 25-11-79-160-005-A01**

- (5) Leathers

- (a) Leathers should be cleaned with saddle soap. Do not use detergents or solvent-types.

**SUBTASK 25-11-79-160-006-A01**

- (6) Twin material cover (if applicable)

- (a) Twin fabric / leather cover

1 Fabric: clean manually and separately by spray extraction (steam and vacuum) after protection of the leather.

2 Leather: clean manually and separately with saddle soap ; do not use detergents or solvent-type.

- (b) Twin fabric / carpet cover

1 Fabric and carpet: dry cleaning recommended.

- (c) Twin leather / carpet cover

1 Leather: clean manually with saddle soap ; do not use detergents or solvent-type.

2 Carpet: clean manually and separately by spray extraction (steam and vacuum) after protection of the leather.

**SUBTASK 25-11-79-160-007-A01**

- (7) Liner cleanliness

- (a) Slight discoloration, fading or color transfer from the dress cover to the fireblocking liner are normal and do not affect the capability of the liner system.

- (b) Heavy stains, particularly petroleum products, should be removed using materials and procedures currently listed for upholstery ([Refer to SUBTASK 25-11-79-160-002-A01](#)). Care should be taken not to soak the stain into the underlying cushion.

**Zodiac Seats France**  
**COMPONENT MAINTENANCE MANUAL**  
**RL-SERIES**

- (c) Commercial dry cleaning is acceptable for removing large stains. If a liner is to be dry cleaned, be aware that liners have a large frame of hook Auto-Agrip and care should be taken to prevent them from damaging the liner or other covers and liners during the dry cleaning cycle.

**SUBTASK 25-11-79-160-008-A01**

(8) Dress covers cleanliness

- (a) All previously stated considerations concerning dress covers remain in effect. In addition to appearance and sanitary considerations, the cleanliness of dress covers can affect the thermal performance of the fireblocking system.
- (b) Cleaning intervals for dress covers should be evaluated in order to prevent excess contamination buildup and transfer of contamination through to the fireblocking liner.

NOTE : The fabric loses its fireblocking capacity after twenty washings.

**SUBTASK 25-11-79-160-009-A01**

(9) Cushions cleanliness

- (a) The factors affecting the thermal performance of cushions are the density of the cushions and their cleanliness.
- (b) Tests have shown that changes in cushion firmness (IFD / Identification Force Deflection) do not affect the thermal performance properties of the cushion.
- (c) Heavy stains on cushions, particularly from petroleum products, should not be allowed to build up. Mild non-volatile, non-flammable cleaners can be used gently on the surface of the cushion. Do not rub hard enough to break the skin of the foam, because of the fire blocking layer, cushions can be expected to remain fairly clean.

**Zodiac Seats France**  
**COMPONENT MAINTENANCE MANUAL**  
**RL-SERIES**

**CHECK**

**TASK 25-11-79-200-801-A01**

1. CHECK

A. Reason for the job

**CAUTION** : THE FOLLOWING CHECKS CAN BE REPLACED WITH AN AIRLINES MAINTENANCE PROCEDURE APPROVAL BY OWN LOCAL AUTHORITIES.

(1) This maintenance program is applicable to "ZODIAC SEATS FRANCE" seats such as describe in this manual.

B. Job set-up information

**WARNING** : DO NOT LIFT AND MOVE THE SEATS BY THE ARMRESTS (IF APPLICABLE).

**CAUTION** : ANY PART THAT FAILS TO OBEY THE REQUIREMENTS OF CHECK MUST BE REPLACED WITH A SERVICEABLE PART. IF DEFECTIVE PART IS REPAIRABLE, NOTE DEFECT AND ASSIGN PART FOR REPAIR.

**NOTE** : If repair of the seat assembly is necessary (Refer to REPAIR). If overhaul of the seat assembly or a sub-assembly of the seat is necessary, the "CHECK" chapter, paragraph "Entry in service after storage" and if necessary "REPAIR" chapter have to be used as applicable workshop.

**NOTE** : The operators establish requirements of any Service Bulletins applicable to these seats; during check, the operators determine which Service Bulletins, if any, are to be incorporated. For all operations describe below (Refer to DESCRIPTION AND OPERATION) and (Refer to TESTING AND FAULT ISOLATION) of this manual. Perform the checks under a bright light; use a 5X to 7X power magnifying glass to detect cracks or damage. Dents or other damage must not impair finish or functional operation of any part.

**Zodiac Seats France**  
**COMPONENT MAINTENANCE MANUAL**  
**RL-SERIES**

C. Procedure

**SUBTASK 25-11-79-220-001-A01**

(1) Recommended checks schedule

(Refer to Table 5001)

Description	Recommended Checks Schedule (operating hours)									
	Post-flight	500	1000	1500	2000	2500	3000	3500	4000	Entry in service after storage
<b>A. Basic structure assembly</b>										
1. Check basic structure assembly components and attaching hardware for condition, cracks, firm connection, corrosion and damage					X				X	X
2. Visually check all threaded parts for crossed or damaged threads. Replace part if threaded damage exceeds 50% of one thread					X				X	X
3. Check backrest assembly attachment devices for condition, firm connection, corrosion and damage					X				X	X
<b>B. Seat belt assembly and seat belt attachments</b>										
1. Check restraint system attachments and attaching hardware for condition, corrosion, firm connection and damage	X	X	X	X	X	X	X	X	X	X

**Zodiac Seats France**  
**COMPONENT MAINTENANCE MANUAL**  
**RL-SERIES**

Description		Recommended Checks Schedule (operating hours)									
		Post-flight	500	1000	1500	2000	2500	3000	3500	4000	Entry in service after storage
2.	Visually check all threaded parts for crossed or damaged threads. Replace part if threaded damage exceeds 50% of one thread					X				X	X
3.	Check seat belt assembly per supplier specifications	Refer to supplier specifications									
<b>C. Seat bottom assembly</b>											
1.	Check seat bottom assembly for condition, cracks, corrosion, firm connection and damage					X				X	X
2.	Check bottom shafts, leveling device components and attaching hardware for condition, corrosion, firm connection and damage									X	X
3.	Visually check all threaded parts for crossed or damaged threads. Replace part if threaded damage exceeds 50% of one thread					X				X	X
4.	Lubricate shafts fixed on bottom equipped using silicone oil (WD40 spray or equivalent). Remove excess oil with cloth					X				X	X
<b>D. Backrest assembly</b>											

**Zodiac Seats France**  
**COMPONENT MAINTENANCE MANUAL**  
**RL-SERIES**

Description	Recommended Checks Schedule (operating hours)									
	Post-flight	500	1000	1500	2000	2500	3000	3500	4000	Entry in service after storage
1. Check backrest structure assembly for condition, cracks, distorsion, firm connection of spot welding and rivets, corrosion and damage					X				X	X
2. Check backrest fixing for condition, cracks, firm connection, corrosion and damage					X				X	X
3. Visually check all threaded parts for crossed or damaged threads. Replace part if threaded damage exceeds 50% of one thread					X				X	X
<b>E. Headrest assembly</b>										
1. Check headrest assembly for condition and operation					X				X	X
2. Check headrest structure components and attaching hardware for condition, wear, firm connection, corrosion and damage					X				X	X
3. Visually check all threaded parts for crossed or damaged threads. Replace part if threaded damage exceeds 50% of one thread					X				X	X
<b>F. Life vest stowage</b>										

**Zodiac Seats France**  
**COMPONENT MAINTENANCE MANUAL**  
**RL-SERIES**

Description	Recommended Checks Schedule (operating hours)									
	Post-flight	500	1000	1500	2000	2500	3000	3500	4000	Entry in service after storage
1. Check life vest stowage for condition, operation, firm connection, fraying, rip and damage					X				X	X
<b>G. Thermoformed fairings</b>										
1. Check the correct installation of all fairings					X				X	X
2. Check for surface imperfections					X				X	X
<b>H. Screwed and riveted connections</b>										
1. Check screwed and riveted connection for a firm sitting					X				X	X
<b>I. Foam, cushions and dress covers assembly</b>										
1. Check all fabric dress covers for condition, fraying, scuffing, rips and damage					X				X	X
2. Check all fabric dress covers attachment (including Auto-Agrip tapes) for condition, wear, firm connection and damage					X				X	X
3. Check all foams and cushions assembly for condition, wear and damage					X				X	X

**Zodiac Seats France**  
**COMPONENT MAINTENANCE MANUAL**  
**RL-SERIES**

Description	Recommended Checks Schedule (operating hours)										
	Post-flight	500	1000	1500	2000	2500	3000	3500	4000	Entry in service after storage	
4. Check Auto-Agrip tapes attached on foams or cushions assembly. If necessary, secure Auto-Agrip tapes using National Starch and Chemical SA adhesive "Bondmaster R319R" or equivalent										X	X
<b>J. Identification and instruction placards</b>											
1. Check all identification and instructions placards for condition, firm attachment and legibility		X	X	X	X	X	X	X	X	X	X

Table 5001 / CHECKS SCHEDULE

**Zodiac Seats France**  
**COMPONENT MAINTENANCE MANUAL**  
**RL-SERIES**

**SUBTASK 25-11-79-220-002-A01**

- (2) Bottom hinge shaft
  - (a) Check the wear percentage of the bottom hinge shaft.
  - (b) As soon as wear of the shaft P/N 150500-05 exceed 30% it's recommended to change the shaft.

**SUBTASK 25-11-79-220-003-A01**

- (3) Restraint system

First of all make sure that the restraint system is clean.

- (a) Webbing

- 1 Check cut or worn edges, damaged sticking, broken fabric threads, tears, excessive chafe marks, excessive wear and excessive fusing.
- 2 Replace webbing if any of the following are observed:  
A limited amount of «frayed» webbing will retain sufficient strength necessary to meet the necessary strength. Frayed webbing is defined as broken filaments from either the warp (longitudinal) yarns or the filier (transverse) yarns. The number of broken filaments should not be sufficient to ob- sure the identity of any yarn when viewed from a distance of about 203,2 mm (8 in.).
- 3 Any web that is cut or torn on the edge should be replaced.
- 4 The amount of fray should be limited to an amount that is less than 10% of the width of the webbing and not to exceed 8 inches in length.
- 5 Webbing with more than 15 broken yarns in locations other than the edge.
- 6 Webbing that is frayed or distorned sufficiently to cause improper operation of any portion of the restraint system.
- 7 A total of 15 stitches can be torn in a stitch pattern before the webbing needs replacement.

- (b) Fittings

- 1 Check burrs, nicks or scratches, cracks, dents and corrosion.

- (c) Rotary buckle and connectors

- 1 Check burrs, nicks or scratches, cracks, dents and corrosion.

- (d) Reel assembly

- 1 Check burrs, nicks or scratches, cracks, dents and corrosion.

**Zodiac Seats France**  
**COMPONENT MAINTENANCE MANUAL**  
**RL-SERIES**

**SUBTASK 25-11-79-220-004-A01**

(4) AMSAFE (V35FB9) restraint system assembly

According to AMSAFE specifications (CMM):

(a) General

- 1 Inspection of the restraint is in accordance with the "on condition" principle and is governed by an inspection and servicing schedule. The restraint can remain in service until defects are found upon inspection or in use.

(b) Inspection intervals

- 1 Concurrently with the airworthiness inspection of the aircraft.
- 2 When the equipment has sustained damage or whenever malfunctions occur.
- 3 When the equipment is transferred to another owner or for any special reason.
- 4 When the equipment has been over-stressed or if over-stress is suspected.

(c) Inspection responsibility

- 1 Inspection of the restraint system for continued or renewed Airworthiness must only be performed by the manufacturer or by agencies specially approved by the aviation authorities.
- 2 The webbing of the restraint system is to be discarded according to condition.
- 3 If the webbing must be replaced, this can be performed only by the manufacturer.

**SUBTASK 25-11-79-220-005-A01**

(5) Replacement of the parts

ZODIAC SEATS FRANCE recommends to perform an overhaul of the seat every Aircraft Check of 5500 flying hours.

NOTE : If is necessary to replace the self-locking nuts, the brake washers and the pins.

NOTE : During complete overhaul we recommend to perform all the operations described in the previous checks (every 500, 1000 and 2000 hours).

**Zodiac Seats France**  
**COMPONENT MAINTENANCE MANUAL**  
**RL-SERIES**

**REPAIR**

**TASK 25-11-79-300-801-A01**

1. REPAIR

A. Reason for the job

- (1) Tolerance of scratches, cuts, nicks, dents, etc., on plastic and other components is established by the airline's own standards for aircraft interiors.
- (2) Plastic components which have been cracked, must be replaced ; they are considered "not repairable".
- (3) Metal components which have been damaged, must be replaced ; they are considered "not repairable".
- (4) Damage to the welded or riveted points should be repaired by the manufacturer.

B. Job set-up information

- (1) Tools, features and equipment  
[\(Refer to Table 6001\)](#)

REFERENCE	QTY	DESIGNATION
No specific	1	Standard mechanics technician's tool

Table 6001 / TOOLS, FEATURES AND EQUIPMENT

- (2) Consumables  
[\(Refer to Table 6002\)](#)

NOTE : Equivalent alternatives can be used for listed items.

REFERENCE	QTY	APPLICATION
ABRASIVE PAPERS GRIT P 400, P 600	AS REQUIRED	Corrosion elimination
ADHESIVE SCOTCH-WELD 7246-2 B/A FST	AS REQUIRED	Miscellaneous fairing, cocktail table, tray table (could be used in place of methylene chloride)
ADHESIVE SCOTCH WELD 3532 B/A	AS REQUIRED	Backshell panel
ADHESIVE PERMABOND 791	AS REQUIRED	Aluminium, steel, brass
ADHESIVE TAPE DOUBLE COATED POLYESTER TAPE 9495LE High load and Temperature Retaining	AS REQUIRED	Fairing, structure armrest, cocktail table

**Zodiac Seats France**  
**COMPONENT MAINTENANCE MANUAL**  
**RL-SERIES**

REFERENCE	QTY	APPLICATION
ADHESIVE TAPE DOUBLE COATED TAPE 9473 High Performance	AS REQUIRED	Fairing, structure armrest, cocktail table
ADHESIVE TAPE DOUBLE COATED EUROCEL 730 GDA	AS REQUIRED	With cotton cloth support, for: Fairing cocktail table, backshell, monument
ADHESIVE TAPE EUROCEL SF7200	AS REQUIRED	Single sided tape with 1mm LDPE foam, protection against small shocks
ADHESIVE TAPE ADHESIVE ALUMINIUM TAPE (width: 50 mm)	AS REQUIRED	Upholstery attachment, bottom sheet metal, backrest, legrest, beam, bottom and backrest cover
CLEANER ISOPROPYL ALCOHOL	AS REQUIRED	Plastic fairings and painted parts
CLEANER GRAIN ALCOHOL (ETHANOL)	AS REQUIRED	metal surface, grease and oil.
CLEANER SYDOL SID	AS REQUIRED	metal part degreaser
CORROSION PROTECTION SurTec 650 chromital Retouche Touch up pen	AS REQUIRED	corrosion protector touch up pen after mechanical violation (e.g. scratches)
DE-RUSTER ARDROX 396/1	AS REQUIRED	Rust point
PAINT MAPAERO FRS40 SEMI GLOSS FINISH	AS REQUIRED	Paints for cabin interiors
SEALANT, High Temperature Retaining LOCTITE n°222 purple (low)	AS REQUIRED	Brake filet for screw, nut, shoulder shaft
SEALANT, High Temperature Retaining LOCTITE n°243 blue (normal)	AS REQUIRED	Brake filet for screw, nut, shoulder shaft
SEALANT, High Temperature Retaining LOCTITE n°262 red (medium hard)	AS REQUIRED	Brake filet for screw, nut, shoulder shaft
SEALANT, High Temperature Retaining LOCTITE n°270 or n°271 green (strong)	AS REQUIRED	Brake filet for screw, nut, shoulder shaft
TOUCH UP PEN Liberon Mahogany Touch Up Pen 3 Point	AS REQUIRED	Disguising scratches and small blemishes on finished wood surfaces

Table 6002 / CONSUMABLES

**Zodiac Seats France**  
**COMPONENT MAINTENANCE MANUAL**  
**RL-SERIES**

- (3) Referenced information  
 (Refer to Table 6003)

REFERENCE	DESIGNATION
FAA standard AC43-13	Acceptable procedures, techniques and practices - Aircraft Inspection and repair
(Refer to TASK 25-11-79-100-801-A01)	Cleaning
FAA document EA-AC65-15A	Airframe and Powerplant Mechanics Handbook
Fig. 6001	Assembly of Colors
Table 6001	Assembly of Colors
Table 6002	Colors Code
Fig. 6002	Riveted assemblies

Table 6003 / REFERENCED INFORMATION

C. Procedure

NOTE : In addition to the following details, the operators could use the FAA standard AC43-13 "Acceptable procedures, techniques and practices - Aircraft inspection and repair" as acceptable minor repair procedures after being submitted to ZODIAC SEATS FRANCE then approved.

**SUBTASK 25-11-79-350-001-A01**

- (1) Scouring

**WARNING : USE SYDOL SID IN VENTILATED AREA WITH RUBBER GLOVES AND GLASSES.**

- (a) Scour paint from the metal parts, use SYDOL SID.

**SUBTASK 25-11-79-350-002-A01**

- (2) Protection

- (a) Clean thoroughly each part before application.  
 (b) Use the masking tape for protection of the zones to not paint.

**SUBTASK 25-11-79-350-003-A01**

- (3) Auto-Agrip

- (a) In the event that any Auto-Agrip which is bonded to metal or plastic has come loose it should be replaced; for best results:
- 1 Remove the entire piece.
  - 2 Clean the exposed surface (Refer to CLEANING).

**Zodiac Seats France**  
**COMPONENT MAINTENANCE MANUAL**  
**RL-SERIES**

- 3 Wipe dry with the clean cotton cloth.
- 4 Install a new piece of Auto-Agrip (refer to manufacturers instructions).

**SUBTASK 25-11-79-350-004-A01**

(4) Paint

- (a) Repaint each part after inspection, refer to assembly of colors ([Refer to Fig. 6001](#)).
- (b) Some plastic part can paint after repair; the spot repainting diameter can not exceed 25,4 mm (1 in.).
- (c) The coating must submit to ZODIAC SEATS FRANCE for approval before using.

**SUBTASK 25-11-79-350-005-A01**

(5) Corrosion and protection

**CAUTION :** BE CAREFUL NOT TO DAMAGE THE CORRODED PART BY OVER SANDING.

- (a) Corrosion elimination :
  - 1 Sand lightly the corroded surfaces with an abrasive paper (grit P 600), until complete disappearing of the corrosion.
  - 2 If necessary, use an abrasive paper (grit P 400) or less.
- (b) Treated surfaces protection :
  - 1 Prevent damage to the sanded surfaces with a anti-corrosive film (ex. ARDROX 396/1).

**SUBTASK 25-11-79-350-006-A01**

(6) Rivets

- (a) The permitted limits on the dimensions of the rivets holes, when rivets are by removed drilling or dismantling, are governed by the use of standard workshop practice for replacement of rivets during repair work.
- (b) Do not apply this repair solution to major riveted parts (mountings, connectors, etc...)

**NOTE :** The minimum spacing and distances to edges for rivets are determined by the original design and should be respected during repair work.

**Zodiac Seats France**  
**COMPONENT MAINTENANCE MANUAL**  
**RL-SERIES**

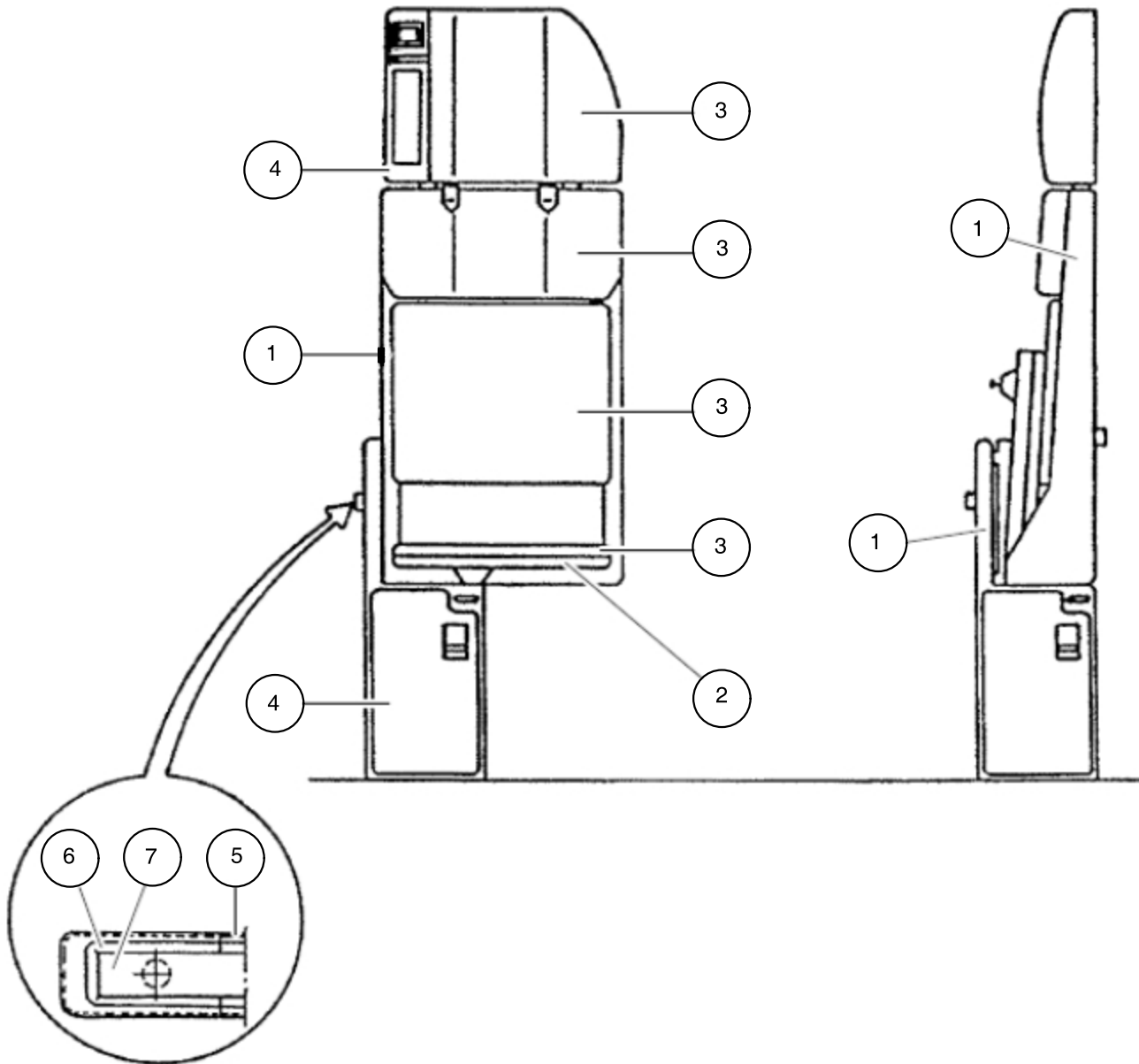
**SUBTASK 25-11-79-350-007-A01**

- (7) Thread fasteners securing
  - (a) Apply the LOCTITE No. 222, 243, 262 or 270 to all non self locking thread fasteners.

**Zodiac Seats France**  
**COMPONENT MAINTENANCE MANUAL**  
**RL-SERIES**

**SUBTASK 25-11-79-350-008-A01**

- (8) Assembly of colors  
(Refer to Fig. 6001)



**ASSEMBLY OF COLORS**

Figure 6001/GRAPHIC-25-11-79-991-601-A01

**Zodiac Seats France**  
**COMPONENT MAINTENANCE MANUAL**  
**RL-SERIES**

ITEM	MATERIAL	COLOR	REFERENCE	PART NUMBERS	COMPANY
1&2	PAINT	PEPPERDUST	DA 2.10	RL27FYU3YS10054	10X01
1&2	PAINT	PEPPERDUST	DA 2.10	RL27FYU3YS10054	10X02
1&2	PAINT	PEPPERDUST	DA 2.10	RL27FYU3YS00054	47W01
1&2	PAINT	PEPPERDUST	DA 2.10	RL27FYU3YS00054	53X01
1&2	PAINT	PEPPERDUST	DA 2.10	RL27FYU3YS10054	87Z01
1&2	PAINT	PEPPERDUST	DA 2.10	RL27FYU3YS10054	89Y01
1&2	PAINT	PEPPERDUST	DA 2.10	RL27FYU3YS10054	AAR02-D4
1&2	PAINT	PEPPERDUST	DA 2.10	RL27FYU3YS00054	AAR02-D5
1&2	PAINT	PEPPERDUST	DA 2.10	RL27FYU3YS00054	AAR02-D7 & on
1&2	PAINT	PEPPERDUST	DA 2.10	RL27FYU3YS10054	AAR04-D1
1&2	PAINT	PEPPERDUST	DA 2.10	RL27FYU3YS00054	AAR04-D2 and on
1&2	PAINT	PEPPERDUST	DA 2.10	RL27FYU3YS00054	AAR05
1&2	PAINT	PEPPERDUST	DA 2.10	RL27FYU3YS10054	AAR06-D1 and on
1&2	PAINT	PEPPERDUST	DA 2.10	RL27FYU3YS10054	ABY01
1&2	PAINT	PEPPERDUST	DA 2.10	RL27FYB3YS00041	AC2
1&2	PAINT	PEPPERDUST	DA 2.10	RL27FYU3YS00041	AC2
1&2	PAINT	PEPPERDUST	DA 2.10	RL47FYF3YS00053	AF2
1&2	PAINT	PEPPERDUST	DA 2.10	RL47FYD3YS00071	AF2-D3
1&2	PAINT	PEPPERDUST	DA 2.10	RL47FYD3YS30071	AF2-D5 and on
1&2	PAINT	PEPPERDUST	DA 2.10	RL47FYD3YS30071	AF2-D6 and on
1&2	PAINT	PEPPERDUST	DA 2.10	RL47FYD3YS10071	AF3-D14
1&2	PAINT	PEPPERDUST	DA 2.10	RL47FYD3YS00071	AF3-D14 and on
1&2	PAINT	PEPPERDUST	DA 2.10	RL47FYD3YS10071	AF3-D15
1and2	PAINT	PEPPERDUST	DA 2.10	RL47FYD3YS30071	AF3-D18
1&2	PAINT	PEPPERDUST	DA 2.10	RL47FYD3YS30071	AF3-D18/D1 9/D21/ D24-D26/D2 8-D30
1&2	PAINT	PEPPERDUST	DA 2.10	RL47FYD3YS30071	AF3-D19
1&2	PAINT	PEPPERDUST	DA 2.10	RL47FYD3YS30071	AF3-D21
1&2	PAINT	PEPPERDUST	DA 2.10	RL47FYD3YS00071	AF3-D8
1&2	PAINT	PEPPERDUST	DA 2.10	RL47FYD3YS30071	AF5

**Zodiac Seats France**  
**COMPONENT MAINTENANCE MANUAL**  
**RL-SERIES**

ITEM	MATERI-AL	COLOR	REFERENCE	PART NUMBERS	COMPANY
1&2	PAINT	PEPPERDUST	DA 2.10	RL27FYU3YS10054	AFL01
1&2	PAINT	PEPPERDUST	DA 2.10	RL27FYU3YS10054	AFL02
1&2	PAINT	PEPPERDUST	DA 2.10	RL27FYU3YS10054	AFL03
1&2	PAINT	PEPPERDUST	DA 2.10	RL27FYU3YS10054	AFL04
1&2	PAINT	BEIGE ERITREA	AIC 3.17	RL47FYT3YS00001	AFR Spare
1&2	PAINT	PEPPERDUST	DA 2.10	RL47FYD3YS30071	AFR05/AFR07/ AFR10
1&2	PAINT	PEPPERDUST	DA 2.10	RL47FYD3YS30071	AFR06
1&2	PAINT	PEPPERDUST	DA 2.10	RL47FYD3YS30071	AFR09
1&2	PAINT	PEPPERDUST	DA 2.10	RL47FYD3YS30071	AFR11
1&2	PAINT	PEPPERDUST	DA 2.10	RL47FYD3YS30071	AFR12
1&2	PAINT	PEPPERDUST	DA 2.10	RL47FYD3YS30071	AFR13
1&2	PAINT	PEPPERDUST	DA 2.10	RL47FYD3YS30071	AFR14 and on
1&2	PAINT	PEPPERDUST	DA 2.10	RL47FYD3YS30071	AFR15-D1 and on
1&2	PAINT	PEPPERDUST	DA 2.10	RL47FYD3YS30071	AFR16-D1 and on
1&2	PAINT	PEPPERDUST	DA 2.10	RL27FYU3YS00054	AHY01
1&2	PAINT	PEPPERDUST	AIC 2.10	RL27FYF3YS00143	Air Astana
1&2	PAINT	PEPPERDUST	DA 2.10	RL27FYU3YS00054	AMM01-D1/D 2/D3/ D5
1&2	PAINT	PEPPERDUST	DA 2.10	RL27FYU3YS10054	AMM01-D4
1&2	PAINT	PEPPERDUST	DA 2.10	RL27FYU3YS10054	AMM02
1&2	PAINT	PEPPERDUST	DA 2.10	RL27FYF4YS10066	AWE02-D31
1&2	PAINT	PEPPERDUST	DA 2.10	RL27FYF4YS10066	AWE03-D23 /D24
1&2	PAINT	PEPPERDUST	DA 2.10	RL27FYF4YS00066	AWE04
1&2	PAINT	PEPPERDUST	DA 2.10	RL27FYF4YS00066	AWE05
1&2	PAINT	PEPPERDUST	DA 2.10	RL27FYD3YS00078	AY01
1&2	PAINT	PEPPERDUST	DA 2.10	RL27FYF3YS00054	AY01
1&2	PAINT	PEPPERDUST	DA 2.10	RL27FYD3YS00078	AY02
1&2	PAINT	PEPPERDUST	DA 2.10	RL27FYD3YS00078	AY03
1&2	PAINT	DARK GREY	DA 2.50	RL47FYF3YS00073	AZ02
1&2	PAINT	PEPPERDUST	DA 2.10	RL47FYB3YS00064	AZ1

**Zodiac Seats France**  
**COMPONENT MAINTENANCE MANUAL**  
**RL-SERIES**

ITEM	MATERIAL	COLOR	REFERENCE	PART NUMBERS	COMPANY
1&2	PAINT	PEPPERDUST	DA 2.10	RL47FYU3YS00064	AZ1
1&2	PAINT	PEPPERDUST	DA 2.10	RL27FYU3YS10054	B2A02-D7,D9
1&2	PAINT	PEPPERDUST	DA 2.10	RL27FYF3YS10054	BA1
1&2	PAINT	PEPPERDUST	DA 2.10	RL27FYU3YS10054	BA1-D16 and on
1&2	PAINT	PEPPERDUST	DA 2.10	RL27FYU3YS10054	BA2
1&2	PAINT	PEPPERDUST	DA 2.10	RL27FYU3YS10054	BA3
1&2	PAINT	PEPPERDUST	DA 2.10	RL27FYU3YS10054	BA4
1&2	PAINT	PEPPERDUST	DA 2.10	RL27FYU3YS10054	BA5
1&2	PAINT	PEPPERDUST	DA 2.10	RL27FYU3YS10054	BAW06
1&2	PAINT	PEPPERDUST	DA 2.10	RL27FYU3YS10054	BAW08
1&2	PAINT	PEPPERDUST	DA 2.10	RL27FYU3YS10054	BAW10
1&2	PAINT	PEPPERDUST	DA 2.10	RL47FYF3YS00047	BD1
1&2	PAINT	PEPPERDUST	DA 2.10	RL47FYF3YS00047	BD2
1&2	PAINT	PEPPERDUST	DA 2.10	RL47FYU3YS10047	BD2-D5 and on
1&2	PAINT	PEPPERDUST	DA 2.10	RL47FYF3YS00047	BD3
1&2	PAINT	PEPPERDUST	DA 2.10	RL47FYF3YS00054	BL1
1&2	PAINT	PEPPERDUST	DA 2.10	RL27FYU3YS10054	BLR01
1&2	PAINT	PEPPERDUST	DA 2.10	RL47FYU3YS10047	BMA04
1&2	PAINT	PEPPERDUST	DA 2.10	RL47FYU3YS10047	BMA04-D4 and on
1&2	PAINT	PEPPERDUST	DA 2.10	RL27FYU3YS00054	C8J02-D1
1&2	PAINT	PEPPERDUST	DA 2.10	RL27FYU3YS00054	C8J02-D1/D3
1&2	PAINT	PEPPERDUST	DA 2.10	RL27FYU3YS00054	C8J02-D2
1&2	PAINT	PEPPERDUST	DA 2.10	RL27FYU3YS00054	C8J02-D4/D5
1&2	PAINT	TIN	DA 2.24	RL27FYU3YS00055	C8J02-D8
1&2	PAINT	PEPPERDUST	DA 2.10	RL27FYU3YS10054	C9G09
1&2	PAINT	PEPPERDUST	DA 2.10	RL27FYU3YS00054	C9G10
1&2	PAINT	PEPPERDUST	DA 2.10	RL27FYU3YS10054	C9G11
1&2	PAINT	TIN	DA 2.24	RL27FYU3YS00055	C9G12-D11
1&2	PAINT	PEPPERDUST	DA 2.10	RL27FYU3YS10054	C9G14
1&2	PAINT	PEPPERDUST	DA 2.10	RL27FYU3YS10054	C9G16
1&2	PAINT	PEPPERDUST	DA 2.10	RL27FYU3YS10054	C9G18
1&2	PAINT	PEPPERDUST	DA 2.10	RL27FYU3YS10054	C9G20/CIT

**Zodiac Seats France**  
**COMPONENT MAINTENANCE MANUAL**  
**RL-SERIES**

ITEM	MATERI-AL	COLOR	REFERENCE	PART NUMBERS	COMPANY
1&2	PAINT	PEPPERDUST	DA 2.10	RL27FYU3YS00054	CES02
1&2	PAINT	PEPPERDUST	DA 2.10	RL27FYU3YS10054	CES02-D11 /D12/ D13
1&2	PAINT	PEPPERDUST	DA 2.10	RL27FYU3YS10054	CES03
1&2	PAINT	PEPPERDUST	DA 2.10	RL27FYU3YS10056	CFG02
1&2	PAINT	PEPPERDUST	DA 2.10	RL27FYF3YS00057	CH1
1&2	PAINT	PEPPERDUST	DA 2.10	RL27FYF3YS00057	CH2
1&2	PAINT	PEPPERDUST	DA 2.10	RL27FYU3YS00054	CJ1
1&2	PAINT	PEPPERDUST	DA 2.10	RL27FYU3YS00054	CM01
1&2	PAINT	PEPPERDUST	DA 2.10	RL27FYU3YS00054	CSC03
1&2	PAINT	PEPPERDUST	DA 2.10	RL27FYU3YS00054	CYP02
1&2	PAINT	PEPPERDUST	DA 2.10	RL27FYF3YS00047	CZ1
1&2	PAINT	PEPPERDUST	DA 2.10	RL27FYU3YS10054	D2F01
1&2	PAINT	PEPPERDUST	DA 2.10	RL27FYU3YS10054	D2F02
1&2	PAINT	PEPPERDUST	DA 2.10	RL27FYU3YS10054	D2F02
1&2	PAINT	PEPPERDUST	DA 2.10	RL27FYU3YS10054	D2F04
1&2	PAINT	PEPPERDUST	DA 2.10	RL27FYU3YS10054	D2F05
1&2	PAINT	PEPPERDUST	DA 2.10	RL27FYF31S00056	DE1
1&2	PAINT	PEPPERDUST	DA 2.10	RL27FYU3YS10056	DE1-D9 and on
1&2	PAINT	PEPPERDUST	DA 2.10	RL27FYU3YS10054	DKH01
1&2	PAINT	PEPPERDUST	AIC 2.10	RL27FYU3YS10054	DKH02-D1 and on
1&2	PAINT	PEPPERDUST	DA 2.10	RL27FYU3YS10054	DKN01-D16 and on
1&2	PAINT	TIN	DA 2.24	RL27FYU3YS10055	DKN01-D3
1&2	PAINT	PEPPERDUST	DA 2.10	RL27FYU3YS10054	DKN02
1&2	PAINT	PEPPERDUST	DA 2.10	RL27FYU3YS00054	DP1
1&2	PAINT	PEPPERDUST	DA 2.10	RL27FYU3YS00054	DR1
1&2	PAINT	PEPPERDUST	AIC 2.10	RL47FYF31S10S05	Dragon Air
1&2	PAINT	PEPPERDUST	DA 2.10	RL27FYU3YS10054	DXH01
1&2	PAINT	PEPPERDUST	DA 2.10	RL27FYF3YS00054	ED01
1&2	PAINT	PEPPERDUST	DA 2.10	RL27FYF3YS00061	EI02
1&2	PAINT	PEPPERDUST	DA 2.10	RL27FYU3YS00061	EI02-D2 and on
1&2	PAINT	PEPPERDUST	DA 2.10	RL27FYU3YS10054	EIN04

**Zodiac Seats France**  
**COMPONENT MAINTENANCE MANUAL**  
**RL-SERIES**

ITEM	MATERIAL	COLOR	REFERENCE	PART NUMBERS	COMPANY
1&2	PAINT	PEPPERDUST	DA 2.10	RL27FYU3YS10054	EIN05
1&2	PAINT	PEPPERDUST	DA 2.10	RL27FYB3YS00009	EW1
1&2	PAINT	PEPPERDUST	DA 2.10	RL27FYU3YS00009	EW1
1&2	PAINT	PEPPERDUST	DA 2.10	RL27FYU3YS10054	FFT01-D14/D15/D16
1&2	PAINT	PEPPERDUST	DA 2.10	RL27FYU3YS10054	FFT02
1&2	PAINT	PEPPERDUST	DA 2.10	RL27FYD3YS00060	FH03
1&2	PAINT	PEPPERDUST	DA 2.10	RL27FYD3YS00078	FIN02-D9 and on
1&2	PAINT	PEPPERDUST	DA 2.10	RL27FYD3YS00078	FIN03-D1/D7/D11 and on
1&2	PAINT	PEPPERDUST	DA 2.10	RL27FYU3YS10054	FN1
1&2	PAINT	PEPPERDUST	DA 2.10	RL27FYU3YS10054	G2X04
1&2	PAINT	PEPPERDUST	DA 2.10	RL27FYU3YS00047	G8E03-D10/D12/D14/D18/D19/D26
1&2	PAINT	PEPPERDUST	DA 2.10	RL27FYU3YS10054	G8E03-D20/D21
1&2	PAINT	PEPPERDUST	DA 2.10	RL27FYU3YS10054	G8E03-D20/D21
1&2	PAINT	PEPPERDUST	DA 2.10	RL27FYU3YS10054	G8E05-D11/D12/D15 and on
1&2	PAINT	PEPPERDUST	DA 2.10	RL27FYU3YS10054	G8E07
1&2	PAINT	PEPPERDUST	DA 2.10	RL27FYU3YS10054	G8E09
1&2	PAINT	PEPPERDUST	DA 2.10	RL27FYU3YS10054	G8E10
1&2	PAINT	PEPPERDUST	DA 2.10	RL27FYU3YS10054	G8E11
1&2	PAINT	PEPPERDUST	DA 2.10	RL27FYU3YS10054	G8E12
1&2	PAINT	PEPPERDUST	DA 2.10	RL27FYF3YS00047	GW01
1&2	PAINT	PEPPERDUST	DA 2.10	RL27FYF3YS00047	GW03-D1
1&2	PAINT	PEPPERDUST	DA 2.10	RL27FYU3YS00047	GW03-D13
1&2	PAINT	PEPPERDUST	DA 2.10	RL27FYU3YS00047	GW03-D17
1&2	PAINT	PEPPERDUST	DA 2.10	RL27FYU3YS00047	GW03-D22/D23
1&2	PAINT	PEPPERDUST	DA 2.10	RL27FYF4YS00081	GW03-D5

**Zodiac Seats France**  
**COMPONENT MAINTENANCE MANUAL**  
**RL-SERIES**

ITEM	MATERIAL	COLOR	REFERENCE	PART NUMBERS	COMPANY
1&2	PAINT	PEPPERDUST	DA 2.10	RL27FYU3YS00047	GW03-D6 and on
1&2	PAINT	PEPPERDUST	DA 2.10	RL27FYF3YS00047	GW04-D1
1&2	PAINT	PEPPERDUST	DA 2.10	RL27FYF3YS00047	GW04-D2
1&2	PAINT	PEPPERDUST	DA 2.10	RL27FYF3YS00047	GW04-D3
1&2	PAINT	PEPPERDUST	DA 2.10	RL27FYF3YS00047	GW04-D4
1&2	PAINT	PEPPERDUST	DA 2.10	RL27FYU3YS00047	GW04-D5
1&2	PAINT	PEPPERDUST	DA 2.10	RL47FYF3YS00047	GW1
1&2	PAINT	PEPPERDUST	DA 2.10	RL27FYU3YS00047	GW3-D10/D12
1&2	PAINT	PEPPERDUST	DA 2.10	RL27FYU3YS00047	GW3-D11
1&2	PAINT	PEPPERDUST	DA 2.10	RL47FYF3YS00054	GW3-D3
1&2	PAINT	PEPPERDUST	DA 2.10	RL27FYU3YS10084	GW3-D8
1&2	PAINT	PEPPERDUST	DA 2.10	RL27FYU3YS10084	GW3-D9
1&2	PAINT	PEPPERDUST	DA 2.10	RL27FYF3YS00047	GW5
1&2	PAINT	PEPPERDUST	DA 2.10	RL27FYU3YS00047	GW5-D3 and on
1&2	PAINT	PEPPERDUST	DA 2.10	RL27FYU3YS10054	GW5-D5/D8
1&2	PAINT	PEPPERDUST	DA 2.10	RL27FYU3YS10084	GZ1
1&2	PAINT	PEPPERDUST	DA 2.10	RL27FYU3YS10054	GZ2
1&2	PAINT	PEPPERDUST	DA 2.10	RL27FYU3YS10054	GZ3
1&2	PAINT	PEPPERDUST	DA 2.10	RL27FYU3YS00054	HVN01
1&2	PAINT	PEPPERDUST	DA 2.10	RL27FYU3YS00054	I2L02
1&2	PAINT	PEPPERDUST	DA 2.10	RL27FYU3YS10080	I2L09-D7
1&2	PAINT	PEPPERDUST	DA 2.10	RL27FYU3YS10054	I2L12
1&2	PAINT	PEPPERDUST	DA 2.10	RL27FYU3YS10054	I2L14
1&2	PAINT	PEPPERDUST	DA 2.10	RL27FYU3YS10054	I2L16
1&2	PAINT	PEPPERDUST	DA 2.10	RL27FYU3YS10054	I2L18
1&2	PAINT	PEPPERDUST	DA 2.10	RL27FYU3YS10054	I2L19
1&2	PAINT	PEPPERDUST	DA 2.10	RL27FYU3YS10054	I2L22
1&2	PAINT	PEPPERDUST	DA 2.10	RL27FYU3YS10054	I2L23
1&2	PAINT	PEPPERDUST	DA 2.10	RL27FYU3YS10054	I2L25
1&2	PAINT	PEPPERDUST	DA 2.10	RL27FYU3YS10054	I2L26
1&2	PAINT	PEPPERDUST	DA 2.10	RL27FYU3YS10054	I2L28
1&2	PAINT	PEPPERDUST	DA 2.10	RL27FYU3YS10054	I2L29

**Zodiac Seats France**  
**COMPONENT MAINTENANCE MANUAL**  
**RL-SERIES**

ITEM	MATERIAL	COLOR	REFERENCE	PART NUMBERS	COMPANY
1&2	PAINT	PEPPERDUST	DA 2.10	RL27FYU3YS10054	I2L30
1&2	PAINT	PEPPERDUST	DA 2.10	RL27FYU3YS10054	I2L34
1&2	PAINT	PEPPERDUST	DA 2.10	RL47FYF3YS10077	IB03
1&2	PAINT	PEPPERDUST	DA 2.10	RL47FYF3YS10077	IB04
1&2	PAINT	PEPPERDUST	DA 2.10	RL47FYU3YS10077	IB3-D20
1&2	PAINT	PEPPERDUST	DA 2.10	RL47FYU3YS10077	IB4-D3 and on
1&2	PAINT	PEPPERDUST	DA 2.10	RL47FYU3YS10077	IBE04-D9 and on
1&2	PAINT	PEPPERDUST	DA 2.10	RL47FYU3YS10077	IBE05
1&2	PAINT	PEPPERDUST	DA 2.10	RL27FYU3YS10054	IBE06
1&2	PAINT	PEPPERDUST	DA 2.10	RL27FYU3YS10054	IBE07-D1 and on
1&2	PAINT	PEPPERDUST	DA 2.10	RL27FYU3YS10054	IBE07-D7 & on
1&2	PAINT	PEPPERDUST	DA 2.10	RL27FYU3YS10054	IBE08-D1 and on
1&2	PAINT	BEIGE ERITREA	DA 3.17	RL47FYA3YS00001	IT1
1&2	PAINT	BEIGE ERITREA	DA 3.17	RL47FYT3YS00001	IT1
1&2	PAINT	PEPPERDUST	DA 2.10	RL27FYU3YS10080	J3K01-D19 and on
1&2	PAINT	PEPPERDUST	DA 2.10	RL27FYF3YS00080	JF01
1&2	PAINT	PEPPERDUST	DA 2.10	RL27FYU3YS10080	JF01-D5
1&2	PAINT	PEPPERDUST	DA 2.10	RL27FYF3YS00054	JG1
1&2	PAINT	PEPPERDUST	DA 2.10	RL27FYF3YS10054	JK1
1&2	PAINT	PEPPERDUST	DA 2.10	RL27FYU3YS10054	JK1-D2
1&2	PAINT	PEPPERDUST	DA 2.10	RL27FYU3YS10054	JK2
1&2	PAINT	PEPPERDUST	DA 2.10	RL27FYU3YS10054	JKK02-D5
1&2	PAINT	PEPPERDUST	DA 2.10	RL47FYF31S00057	KA1
1&2	PAINT	PEPPERDUST	DA 2.10	RL47FYF31S10057	KA1-D2
1&2	PAINT	DOVE GREY	DA 2.18	RL27FYF3YS00069	KF1
1&2	PAINT	PEPPERDUST	DA 2.10	RL27FYU3YS10054	KFR03
1&2	PAINT	PEPPERDUST	DA 2.10	RL27FYU3YS10054	KFR03-D2 and on
1&2	PAINT	PEPPERDUST	DA 2.10	RL27FYU3YS10054	KFR04
1&2	PAINT	PEPPERDUST	DA 2.10	RL27FYU3YS10054	KFR04-D6
1&2	PAINT	PEPPERDUST	DA 2.10	RL27FYF3YS00076	KK02

**Zodiac Seats France**  
**COMPONENT MAINTENANCE MANUAL**  
**RL-SERIES**

ITEM	MATERI-AL	COLOR	REFERENCE	PART NUMBERS	COMPANY
1&2	PAINT	SOFT GREY	DA 2.4	RL27FYF3YS10076	KK02-D3
1&2	PAINT	SOFT GREY	DA 2.4	RL27FYU3YS10076	KK02-D5
1&2	PAINT	PEPPERDUST	DA 2.10	RL27FYF3YS00076	KK1
1&2	PAINT	CONGER	DA 2.29	RL27FYU3YS00082	LA1
1&2	PAINT	CONGER	DA 2.29	RL27FYU3YS00082	LAN02
1	PAINT	QUARTZ GREY	DA 2.11	RL27FYF3YS10079	LH4
2	PAINT	PEPPERDUST	DA 2.10	RL27FYF3YS10079	LH4
1	PAINT	QUARTZ GREY	DA 2.11	RL27FYU3YS10079	LH5
2	PAINT	PEPPERDUST	DA 2.10	RL27FYU3YS10079	LH5
1&2	PAINT	PEPPERDUST	DA 2.10	RL27FYD3YS00044	LL1
1&2	PAINT	PEPPERDUST	DA 2.10	RL27FYS3YS00051	LL1-D7
1&2	PAINT	PEPPERDUST	DA 2.10	RL27FYD3YS00044	LL2
1&2	PAINT	PEPPERDUST	DA 2.10	RL27FYU3YS00054	LS1
1&2	PAINT	PEPPERDUST	DA 2.10	RL27FYU3YS10084	LTU01
1&2	PAINT	PEPPERDUST	DA 2.10	RL27FYU3YS10084	LTU02
1&2	PAINT	PEPPERDUST	DA 2.10	RL27FYF3YS00054	LU01
1&2	PAINT	PEPPERDUST	DA 2.10	RL27FYF3YS00054	MI01
1&2	PAINT	PEPPERDUST	DA 2.10	RL27FYF3YS10054	MI2
1&2	PAINT	PEPPERDUST	DA 2.10	RL27FYU3YS00054	MK1
1&2	PAINT	PEPPERDUST	DA 2.10	RL12FYA3YS00023	MS2
1&2	PAINT	PEPPERDUST	DA 2.10	RL12FYT3YS00023	MS2
1&2	PAINT	PEPPERDUST	DA 2.10	RL27FYF3YS00054	MU1
1&2	PAINT	PEPPERDUST	DA 2.10	RL27FYU3YS00054	MU1-D4
1&2	PAINT	PEPPERDUST	DA 2.10	RL27FYU3YS10054	MXA02
1&2	PAINT	PEPPERDUST	DA 2.10	RL27FYU3YS10054	MXA03
1&2	PAINT	PEPPERDUST	DA 2.10	RL27FYU3YS10054	MXA04
1&2	PAINT	PEPPERDUST	DA 2.10	RL27FYU3YS10054	MXA05
1&2	PAINT	PEPPERDUST	DA 2.10	RL27FYF31S00058	NH2
1&2	PAINT	PEPPERDUST	DA 2.10	RL27FYF3YS00058	NH2
1&2	PAINT	QUARTZ GREY	DA 2.11	RL27FYF31S10059	NW2
1&2	PAINT	QUARTZ GREY	DA 2.11	RL27FYU31S10059	NW2-D21
1&2	PAINT	QUARTZ GREY	DA 2.11	RL27FYF31S10059	NW3
1&2	PAINT	QUARTZ GREY	DA 2.11	RL27FYU31S10059	NW3-D17 and on

**Zodiac Seats France**  
**COMPONENT MAINTENANCE MANUAL**  
**RL-SERIES**

ITEM	MATERIAL	COLOR	REFERENCE	PART NUMBERS	COMPANY
1&2	PAINT	PEPPERDUST	DA 2.10	RL27FYF3YS00054	NX01
1&2	PAINT	PEPPERDUST	DA 2.10	RL47FYF3YS00054	OM01
1&2	PAINT	PEPPERDUST	DA 2.10	RL27FYF3YS00036	OS3
1&2	PAINT	PEPPERDUST	DA 2.10	RL27FYU3YS00036	OS4
1&2	PAINT	PEPPERDUST	DA 2.10	RL27FYB3YS00047	OU1
1&2	PAINT	PEPPERDUST	DA 2.10	RL27FYB3YS00047	OU2
1&2	PAINT	PEPPERDUST	DA 2.10	RL27FYD1YS00052	OZ1
1&2	PAINT	PEPPERDUST	DA 2.10	RL27FYF3YS00054	OZ2
1&2	PAINT	PEPPERDUST	DA 2.10	RL27FYU3YS00054	OZ2-D3 and on
1&2	PAINT	PEPPERDUST	DA 2.10	RL27FYU3YS00054	OZ3
1&2	PAINT	MOONSHADOW	DA 2.32	RL27FYF3YS00048	PR1
1&2	PAINT	TIN	DA 2.24	RL27FYU3YS00055	QR1
1&2	PAINT	TIN	DA 2.24	RL27FYU3YS00055	QTR02
1&2	PAINT	PEPPERDUST	DA 2.10	RL27FYU3YS10054	RAM01
1&2	PAINT	PEPPERDUST	DA 2.10	RL27FYU3YS10054	RAM01-D4 & on
1&2	PAINT	DOVE GREY	DA 2.18	RL47FYF3YS00067	RB1
1&2	PAINT	PEPPERDUST	DA 2.10	RL27FYU3YS10054	S2A09
1&2	PAINT	TIN	DA 2.24	RL27FYU3YS00055	S2A10
1&2	PAINT	TIN	DA 2.24	RL27FYU3YS00055	S2A11-D3 and on
1&2	PAINT	PEPPERDUST	DA 2.10	RL27FYF3YS00074	SN03
1&2	PAINT	PEPPERDUST	DA 2.10	RL27FYF3YS00074	SN1
1&2	PAINT	PEPPERDUST	DA 2.10	RL27FYF3YS00074	SN2
1&2	PAINT	PEPPERDUST	DA 2.10	RL27FYU3YS00074	SN2-D14 and on
1&2	PAINT	PEPPERDUST	DA 2.10	RL27FYU3YS00054	SN2-D16/D17
1&2	PAINT	PEPPERDUST	DA 2.10	RL27FYU3YS00054	SN2-G8E/MX
1&2	PAINT	PEPPERDUST	DA 2.10	RL27FYU3YS00074	SN3-D3 and on
1&2	PAINT	FOG	DA 2.16	RL27FYF4YS00049	TA2
1&2	PAINT	FOG	DA 2.16	RL27FYF4YS10049	TA3
1&2	PAINT	FOG	DA 2.16	RL27FYF4YS10049	TA4
1&2	PAINT	FOG	DA 2.16	RL27FYF4YS10049	TAI06-D1 and on
1&2	PAINT	SOFT GREY	DA 2.4	RL27FYU3YS10076	TAM01-D7

**Zodiac Seats France**  
**COMPONENT MAINTENANCE MANUAL**  
**RL-SERIES**

ITEM	MATERI-AL	COLOR	REFERENCE	PART NUMBERS	COMPANY
1&2	PAINT	SOFT GREY	DA 2.4	RL27FYU3YS10076	TAM03-D1 and on
1&2	PAINT	SOFT GREY	DA 2.4	RL27FYU3YS10076	TAM04
1&2	PAINT	PEPPERDUST	DA 2.10	RL27FYU3YS00054	TGW01
1&2	PAINT	PEPPERDUST	DA 2.10	RL27FYS3YS00051	TP02
1&2	PAINT	PEPPERDUST	DA 2.10	RL27FYS3YS00051	TP03
1&2	PAINT	PEPPERDUST	DA 2.10	RL27FYS3YS00051	TP1
1&2	PAINT	PEPPERDUST	DA 2.10	RL27FYD3YS00062	TU03
1&2	PAINT	PEPPERDUST	DA 2.10	RL27FYD3YS00062	TU2
1&2	PAINT	PEPPERDUST	AIC 2.10	RL27FYU3YS00041	US SEMI
1&2	PAINT	PEPPERDUST	DA 2.10	RL27FYF3YS00050	VX1
1&2	PAINT	PEPPERDUST	DA 2.10	RL27FYU3YS00054	VX2
1&2	PAINT	PEPPERDUST	DA 2.10	RL27FYF4YS00066	WE2
1&2	PAINT	PEPPERDUST	DA 2.10	RL27FYF4YS00066	WE3
1&2	PAINT	PEPPERDUST	DA 2.10	RL47FYF3YS00047	WH1
1&2	PAINT	PEPPERDUST	DA 2.10	RL47FYU3YS00047	WH1-D12 & on
1&2	PAINT	TIN	DA 2.24	RL27FYF3YS00055	WS01
1&2	PAINT	PEPPERDUST	DA 2.10	RL27FYF3YS00080	WS01-D11
1&2	PAINT	PEPPERDUST	DA 2.10	RL27FYF3YS00080	WS01-D12
1&2	PAINT	PEPPERDUST	DA 2.10	RL47FYF3YS00054	WS03-D1
1&2	PAINT	PEPPERDUST	DA 2.10	RL27FYU3YS00074	WS06
1&2	PAINT	PEPPERDUST	DA 2.10	RL27FYF3YS10054	WS4-D1
1&2	PAINT	TIN	DA 2.24	RL27FYU3YS00055	WS5
1&2	PAINT	PEPPERDUST	DA 2.10	RL27FYU3YS00047	WS7
1&2	PAINT	PEPPERDUST	DA 2.10	RL27FYF3YS00061	XF04
1&2	PAINT	PEPPERDUST	DA 2.10	RL47FYF31S00057	XF04-D9
1&2	PAINT	PEPPERDUST	DA 2.10	RL47FYF3YS10077	XF08
1&2	PAINT	PEPPERDUST	DA 2.10	RL27FYU3YS10080	XF09-D3
1&2	PAINT	PEPPERDUST	DA 2.10	RL27FYB3YS00047	XF1
1&2	PAINT	PEPPERDUST	DA 2.10	RL27FYU3YS10054	XF10
1&2	PAINT	PEPPERDUST	DA 2.10	RL47FYF31S00057	XF5-D1
1&2	PAINT	PEPPERDUST	DA 2.10	RL47FYF3YS00054	XF5-D10
1&2	PAINT	PEPPERDUST	DA 2.10	RL27FYF3YS00054	XF5-D2
1&2	PAINT	PEPPERDUST	DA 2.10	RL47FYF31S00057	XF5-D3

**Zodiac Seats France**  
**COMPONENT MAINTENANCE MANUAL**  
**RL-SERIES**

ITEM	MATERIAL	COLOR	REFERENCE	PART NUMBERS	COMPANY
1&2	PAINT	PEPPERDUST	DA 2.10	RL27FYF3YS00054	XF5-D4
1&2	PAINT	PEPPERDUST	DA 2.10	RL47FYF31S00057	XF5-D7
1&2	PAINT	PEPPERDUST	DA 2.10	RL27FYF4YS10066	XF6
1&2	PAINT	PEPPERDUST	DA 2.10	RL27FYF4YS00066	XF7-D1
1&2	PAINT	PEPPERDUST	DA 2.10	RL47FYU3YS10077	XF8-D4
1&2	PAINT	PEPPERDUST	DA 2.10	RL27FYF3YS10080	XF9
1&2	PAINT	QUARTZ GREY	DA 2.11	RL47FYA3YS00099	XP1
1&2	PAINT	QUARTZ GREY	DA 2.11	RL47FYT3YS00099	XP1
1&2	PAINT	PEPPERDUST	DA 2.10	RL27FYU3YS00054	XY01
1&2	PAINT	PEPPERDUST	DA 2.10	RL27FYF3YS00054	XY1
1&2	PAINT	PEPPERDUST	DA 2.10	RL27FYU3YS00054	XY2
1&2	PAINT	PEPPERDUST	DA 2.10	RL27FYU3YS10084	XY3
1&2	PAINT	PEPPERDUST	DA 2.10	RL27FYU3YS00054	XY6
1&2	PAINT	TAN	DA 3.13	RL47FYB3YS00085	XZ1
1&2	PAINT	TAN	DA 3.13	RL47FYU3YS00085	XZ1
1&2	PAINT	PEPPERDUST	DA 2.10	RL47FYB3YS00009	XZ3
1&2	PAINT	PEPPERDUST	DA 2.10	RL47FYU3YS00009	XZ3
1&2	PAINT	PEPPERDUST	DA 2.10	RL47FYF3YS00047	ZZ01
1&2	PAINT	PEPPERDUST	DA 2.10	RL47FYA3YS00046	ZZ1
1&2	PAINT	PEPPERDUST	DA 2.10	RL47FYT3YS00046	ZZ1
3	LEATHER	DA 23.6 PEPPERDUST LANTAL/LACAR GPL (VS3859)		RL27FYU3YS10054	10X01
3	LEATHER	DA 23.6 PEPPERDUST LANTAL/LACAR GPL (VS3859)		RL27FYU3YS10054	10X02
3	LEATHER	DA 23.6 PEPPERDUST LANTAL/LACAR GPL (VS3859)		RL27FYU3YS00054	47W01
3	LEATHER	DA 23.6 PEPPERDUST LANTAL/LACAR GPL (VS3859)		RL27FYU3YS00054	53X01
3	LEATHER	DA 23.6 PEPPERDUST LANTAL/LACAR GPL (VS3859)		RL27FYU3YS10054	87Z01
3	LEATHER	DA 23.6 PEPPERDUST LANTAL/LACAR GPL (VS3859)		RL27FYU3YS10054	89Y01
3	LEATHER	DA 23.6 PEPPERDUST LANTAL/LACAR GPL (VS3859)		RL27FYU3YS10054	AAR02-D4
3	LEATHER	DA 23.6 PEPPERDUST LANTAL/LACAR GPL (VS3859)		RL27FYU3YS00054	AAR02-D5

**Zodiac Seats France**  
**COMPONENT MAINTENANCE MANUAL**  
**RL-SERIES**

ITEM	MATERIAL	COLOR	REFERENCE	PART NUMBERS	COMPANY
3	LEATHER	DA 23.6 PEPPERDUST LANTAL/LACAR GPL (VS3859)		RL27FYU3YS00054	AAR02-D7 and on
3	LEATHER	DA 23.6 PEPPERDUST LANTAL/LACAR GPL (VS3859)		RL27FYU3YS10054	AAR04-D1
3	LEATHER	DA 23.6 PEPPERDUST LANTAL/LACAR GPL (VS3859)		RL27FYU3YS00054	AAR04-D2 and on
3	LEATHER	DA 23.6 PEPPERDUST LANTAL/LACAR GPL (VS3859)		RL27FYU3YS00054	AAR05
3	LEATHER	DA 23.6 PEPPERDUST LANTAL/LACAR GPL (VS3859)		RL27FYU3YS10054	AAR06-D1 and on
3	LEATHER	DA 23.6 PEPPERDUST LANTAL/LACAR GPL (VS3859)		RL27FYU3YS10054	ABY01
3	LEATHER	LANGENTHAL 6577/34 SUMMER FOREST SPRUCE		RL27FYB3YS00041	AC2
3	LEATHER	LANGENTHAL 6577/34 SUMMER FOREST SPRUCE		RL27FYU3YS00041	AC2
3	LEATHER	DA 23.16 GREY LANTAL/LACAR GPL (VS3859)		RL47FYF3YS00053	AF2
3	LEATHER	DA 23.6 PEPPERDUST LANTAL/LACAR GPL (VS3859)		RL47FYD3YS00071	AF2-D3
3	LEATHER	DA 23.6 PEPPERDUST LANTAL/LACAR GPL (VS3859)		RL47FYD3YS30071	AF2-D5 and on
3	LEATHER	DA 23.6 PEPPERDUST LANTAL/LACAR GPL (VS3859)		RL47FYD3YS30071	AF2-D6 and on
3	LEATHER	DA 23.6 PEPPERDUST LANTAL/LACAR GPL (VS3859)		RL47FYD3YS10071	AF3-D14
3	LEATHER	DA 23.6 PEPPERDUST LANTAL/LACAR GPL (VS3859)		RL47FYD3YS00071	AF3-D14 and on
3	LEATHER	DA 23.6 PEPPERDUST LANTAL/LACAR GPL (VS3859)		RL47FYD3YS10071	AF3-D15
3	LEATHER	DA 23.6 PEPPERDUST LANTAL/LACAR GPL (VS3859)		RL47FYD3YS30071	AF3-D18
3	LEATHER	DA 23.6 PEPPERDUST LANTAL/LACAR GPL (VS3859)		RL47FYD3YS30071	AF3-D18/D1 9/D21/ D24-D26/D2 8-D30
3	LEATHER	DA 23.6 PEPPERDUST LANTAL/LACAR GPL (VS3859)		RL47FYD3YS30071	AF3-D19
3	LEATHER	DA 23.6 PEPPERDUST LANTAL/LACAR GPL (VS3859)		RL47FYD3YS30071	AF3-D21

**Zodiac Seats France**  
**COMPONENT MAINTENANCE MANUAL**  
**RL-SERIES**

ITEM	MATERIAL	COLOR	REFERENCE	PART NUMBERS	COMPANY
3	LEATHER	DA 23.6 PEPPERDUST LANTAL/LACAR GPL (VS3859)		RL47FYD3YS00071	AF3-D8
3	LEATHER	DA 23.6 PEPPERDUST LANTAL/LACAR GPL (VS3859)		RL47FYD3YS30071	AF5
3	LEATHER	DA 23.6 PEPPERDUST LANTAL/LACAR GPL (VS3859)		RL27FYU3YS10054	AFL01
3	LEATHER	DA 23.6 PEPPERDUST LANTAL/LACAR GPL (VS3859)		RL27FYU3YS10054	AFL02
3	LEATHER	DA 23.6 PEPPERDUST LANTAL/LACAR GPL (VS3859)		RL27FYU3YS10054	AFL03
3	LEATHER	DA 23.6 PEPPERDUST LANTAL/LACAR GPL (VS3859)		RL27FYU3YS10054	AFL04
3	FABRIC	STEPPE GAMBIA/STEPPE ROHI/ STOFFE		RL47FYT3YS00001	AFR Spare
3	LEATHER	DA 23.6 PEPPERDUST LANTAL/LACAR GPL (VS3859)		RL47FYD3YS30071	AFR05/AFR07/ AFR10
3	LEATHER	DA 23.6 PEPPERDUST LANTAL/LACAR GPL (VS3859)		RL47FYD3YS30071	AFR06
3	LEATHER	DA 23.6 PEPPERDUST LANTAL/LACAR GPL (VS3859)		RL47FYD3YS30071	AFR09
3	LEATHER	DA 23.6 PEPPERDUST LANTAL/LACAR GPL (VS3859)		RL47FYD3YS30071	AFR11
3	LEATHER	DA 23.6 PEPPERDUST LANTAL/LACAR GPL (VS3859)		RL47FYD3YS30071	AFR12
3	LEATHER	DA 23.6 PEPPERDUST LANTAL/LACAR GPL (VS3859)		RL47FYD3YS30071	AFR13
3	LEATHER	DA 23.6 PEPPERDUST LANTAL/LACAR GPL (VS3859)		RL47FYD3YS30071	AFR14 and on
3	LEATHER	DA 23.6 PEPPERDUST LANTAL/LACAR GPL (VS3859)		RL47FYD3YS30071	AFR15-D1 and on
3	LEATHER	DA 23.6 PEPPERDUST LANTAL/LACAR GPL (VS3859)		RL47FYD3YS30071	AFR16-D1 and on
3	LEATHER	DA 23.6 PEPPERDUST LANTAL/LACAR GPL (VS3859)		RL27FYU3YS00054	AHY01
3	LEATHER	AIC 23.6 PEPPERDUST LANTAL/LACAR GPL (VS3859)		RL27FYF3YS00143	Air Astana
3	LEATHER	DA 23.6 PEPPERDUST LANTAL/LACAR GPL (VS3859)		RL27FYU3YS00054	AMM01-D1/D 2/D3/ D5

**Zodiac Seats France**  
**COMPONENT MAINTENANCE MANUAL**  
**RL-SERIES**

ITEM	MATERIAL	COLOR	REFERENCE	PART NUMBERS	COMPANY
3	LEATHER	DA 23.6 PEPPERDUST LANTAL/LACAR GPL (VS3859)		RL27FYU3YS10054	AMM01-D4
3	LEATHER	DA 23.6 PEPPERDUST LANTAL/LACAR GPL (VS3859)		RL27FYU3YS10054	AMM02
3	LEATHER	DA 23.45 MARINE LANTAL (VS3859)		RL27FYF4YS10066	AWE02-D31
3	LEATHER	DA 23.45 MARINE LANTAL (VS3859)		RL27FYF4YS10066	AWE03-D23 /D24
3	LEATHER	DA 23.45 MARINE LANTAL (VS3859)		RL27FYF4YS00066	AWE04
3	LEATHER	DA 23.45 MARINE LANTAL (VS3859)		RL27FYF4YS00066	AWE05
3	LEATHER	DA 23.6 PEPPERDUST LANTAL/LACAR GPL (VS3859)		RL27FYD3YS00078	AY01
3	LEATHER	DA 23.6 PEPPERDUST LANTAL/LACAR GPL (VS3859)		RL27FYF3YS00054	AY01
3	LEATHER	DA 23.6 PEPPERDUST LANTAL/LACAR GPL (VS3859)		RL27FYD3YS00078	AY02
3	LEATHER	DA 23.6 PEPPERDUST LANTAL/LACAR GPL (VS3859)		RL27FYD3YS00078	AY03
3	FABRIC	912 MANIFATTURA TESTORI		RL47FYF3YS00073	AZ02
3	FABRIC	912 MANIFATTURA TESTORI		RL47FYB3YS00064	AZ1
3	FABRIC	912 MANIFATTURA TESTORI		RL47FYU3YS00064	AZ1
3	LEATHER	DA 23.6 PEPPERDUST LANTAL/LACAR GPL (VS3859)		RL27FYU3YS10054	B2A02-D7,D9
3	LEATHER	DA 23.6 PEPPERDUST LANTAL/LACAR GPL (VS3859)		RL27FYF3YS10054	BA1
3	LEATHER	DA 23.6 PEPPERDUST LANTAL/LACAR GPL (VS3859)		RL27FYU3YS10054	BA1-D16 and on
3	LEATHER	DA 23.6 PEPPERDUST LANTAL/LACAR GPL (VS3859)		RL27FYU3YS10054	BA2
3	LEATHER	DA 23.6 PEPPERDUST LANTAL/LACAR GPL (VS3859)		RL27FYU3YS10054	BA3
3	LEATHER	DA 23.6 PEPPERDUST LANTAL/LACAR GPL (VS3859)		RL27FYU3YS10054	BA4
3	LEATHER	DA 23.6 PEPPERDUST LANTAL/LACAR GPL (VS3859)		RL27FYU3YS10054	BA5
3	LEATHER	DA 23.6 PEPPERDUST LANTAL/LACAR GPL (VS3859)		RL27FYU3YS10054	BAW06

**Zodiac Seats France**  
**COMPONENT MAINTENANCE MANUAL**  
**RL-SERIES**

ITEM	MATERIAL	COLOR	REFERENCE	PART NUMBERS	COMPANY
3	LEATHER	DA 23.6 PEPPERDUST LANTAL/LACAR GPL (VS3859)		RL27FYU3YS10054	BAW08
3	LEATHER	DA 23.6 PEPPERDUST LANTAL/LACAR GPL (VS3859)		RL27FYU3YS10054	BAW10
3	LEATHER	DA 23.6 PEPPERDUST LANTAL/LACAR GPL (VS3859)		RL47FYF3YS00047	BD1
3	LEATHER	DA 23.6 PEPPERDUST LANTAL/LACAR GPL (VS3859)		RL47FYF3YS00047	BD2
3	LEATHER	DA 23.6 PEPPERDUST LANTAL/LACAR GPL (VS3859)		RL47FYU3YS10047	BD2-D5 and on
3	LEATHER	DA 23.6 PEPPERDUST LANTAL/LACAR GPL (VS3859)		RL47FYF3YS00047	BD3
3	LEATHER	DA 23.6 PEPPERDUST LANTAL/LACAR GPL (VS3859)		RL47FYF3YS00054	BL1
3	LEATHER	DA 23.6 PEPPERDUST LANTAL/LACAR GPL (VS3859)		RL27FYU3YS10054	BLR01
3	LEATHER	DA 23.6 PEPPERDUST LANTAL/LACAR GPL (VS3859)		RL47FYU3YS10047	BMA04
3	LEATHER	DA 23.6 PEPPERDUST LANTAL/LACAR GPL (VS3859)		RL47FYU3YS10047	BMA04-D4 and on
3	LEATHER	DA 23.6 PEPPERDUST LANTAL/LACAR GPL (VS3859)		RL27FYU3YS00054	C8J02-D1
3	LEATHER	DA 23.6 PEPPERDUST LANTAL/LACAR GPL (VS3859)		RL27FYU3YS00054	C8J02-D1/D3
3	LEATHER	DA 23.6 PEPPERDUST LANTAL/LACAR GPL (VS3859)		RL27FYU3YS00054	C8J02-D2
3	LEATHER	DA 23.6 PEPPERDUST LANTAL/LACAR GPL (VS3859)		RL27FYU3YS00054	C8J02-D4/D5
3	LEATHER	DA 23.75 ASH GREY LACAR GPL LANTAL(VS3859)		RL27FYU3YS00055	C8J02-D8
3	LEATHER	DA 23.6 PEPPERDUST LANTAL/LACAR GPL (VS3859)		RL27FYU3YS10054	C9G09
3	LEATHER	DA 23.6 PEPPERDUST LANTAL/LACAR GPL (VS3859)		RL27FYU3YS00054	C9G10
3	LEATHER	DA 23.6 PEPPERDUST GPL LANTAL (VS3859)		RL27FYU3YS10054	C9G11
3	LEATHER	DA 23.75 ASH GREY LACAR GPL LANTAL(VS3859)		RL27FYU3YS00055	C9G12-D11
3	LEATHER	DA 23.6 PEPPERDUST LANTAL/LACAR GPL (VS3859)		RL27FYU3YS10054	C9G14

**Zodiac Seats France**  
**COMPONENT MAINTENANCE MANUAL**  
**RL-SERIES**

ITEM	MATERIAL	COLOR	REFERENCE	PART NUMBERS	COMPANY
3	LEATHER	DA 23.6 PEPPERDUST LANTAL/LACAR GPL (VS3859)		RL27FYU3YS10054	C9G16
3	LEATHER	DA 23.6 PEPPERDUST LANTAL/LACAR GPL (VS3859)		RL27FYU3YS10054	C9G18
3	LEATHER	DA 23.6 PEPPERDUST LANTAL/LACAR GPL (VS3859)		RL27FYU3YS10054	C9G20/CIT
3	LEATHER	DA 23.6 PEPPERDUST LANTAL/LACAR GPL (VS3859)		RL27FYU3YS00054	CES02
3	LEATHER	DA 23.6 PEPPERDUST LANTAL/LACAR GPL (VS3859)		RL27FYU3YS10054	CES02-D11 /D12/ D13
3	LEATHER	DA 23.6 PEPPERDUST LANTAL/LACAR GPL (VS3859)		RL27FYU3YS10054	CES03
3	LEATHER	NCS 7500 LH DARK GREY GPL SCHAUNBURG		RL27FYU3YS10056	CFG02
3	FABRIC	DA 20.11 PARIS AMAZONE ROHI		RL27FYF3YS00057	CH1
3	FABRIC	DA 20.11 PARIS AMAZONE ROHI		RL27FYF3YS00057	CH2
3	LEATHER	DA 23.6 PEPPERDUST LANTAL/LACAR GPL (VS3859)		RL27FYU3YS00054	CJ1
3	LEATHER	DA 23.6 PEPPERDUST LANTAL/LACAR GPL (VS3859)		RL27FYU3YS00054	CM01
3	LEATHER	DA 23.6 PEPPERDUST LANTAL/LACAR GPL (VS3859)		RL27FYU3YS00054	CSC03
3	LEATHER	DA 23.6 PEPPERDUST LANTAL/LACAR GPL (VS3859)		RL27FYU3YS00054	CYP02
3	LEATHER	DA 23.6 PEPPERDUST LANTAL/LACAR GPL (VS3859)		RL27FYF3YS00047	CZ1
3	LEATHER	DA 23.6 PEPPERDUST LANTAL/LACAR GPL (VS3859)		RL27FYU3YS10054	D2F01
3	LEATHER	DA 23.6 PEPPERDUST LANTAL/LACAR GPL (VS3859)		RL27FYU3YS10054	D2F02
3	LEATHER	DA 23.6 PEPPERDUST LANTAL/LACAR GPL (VS3859)		RL27FYU3YS10054	D2F02
3	LEATHER	DA 23.6 PEPPERDUST LANTAL/LACAR GPL (VS3859)		RL27FYU3YS10054	D2F04
3	LEATHER	DA 23.6 PEPPERDUST LANTAL/LACAR GPL (VS3859)		RL27FYU3YS10054	D2F05
3	LEATHER	DARK GREY NCS 7500 LH SHAUNBURG		RL27FYF31S00056	DE1

**Zodiac Seats France**  
**COMPONENT MAINTENANCE MANUAL**  
**RL-SERIES**

ITEM	MATERIAL	COLOR	REFERENCE	PART NUMBERS	COMPANY
3	LEATHER	DA 24.2 DARK GREY SCHAUNBURG NCS 7500		RL27FYU3YS10056	DE1-D9 and on
3	LEATHER	DA 23.6 PEPPERDUST LANTAL/LACAR GPL (VS3859)		RL27FYU3YS10054	DKH01
3	LEATHER	AIC 23.6 PEPPERDUST LANTAL/LACAR GPL (VS3859)		RL27FYU3YS10054	DKH02-D1 and on
3	LEATHER	DA 23.6 PEPPERDUST LANTAL/LACAR GPL (VS3859)		RL27FYU3YS10054	DKN01-D16 and on
3	LEATHER	DA 23.75 ASH GREY LACAR GPL LANTAL(VS3859)		RL27FYU3YS10055	DKN01-D3
3	LEATHER	DA 23.6 PEPPERDUST LANTAL/LACAR GPL (VS3859)		RL27FYU3YS10054	DKN02
3	LEATHER	DA 23.6 PEPPERDUST LANTAL/LACAR GPL (VS3859)		RL27FYU3YS00054	DP1
3	LEATHER	DA 23.6 PEPPERDUST LANTAL/LACAR GPL (VS3859)		RL27FYU3YS00054	DR1
3	LEATHER	ROHI STOFFE AIRSTREAM / 117 DAPHNE 01398-08		RL47FYF31S10S05	Dragon Air
3	LEATHER	DA 23.6 PEPPERDUST LANTAL/LACAR GPL (VS3859)		RL27FYU3YS10054	DXH01
3	LEATHER	DA 23.6 PEPPERDUST LANTAL/LACAR GPL (VS3859)		RL27FYF3YS00054	ED01
3	LEATHER	P/N LL3412 COLOR PEWTER DOUGLAS INTERIOR		RL27FYF3YS00061	EI02
3	LEATHER	P/N LL3412 COLOR PEWTER DOUGLAS INTERIOR		RL27FYU3YS00061	EI02-D2 and on
3	LEATHER	DA 23.6 PEPPERDUST LANTAL/LACAR GPL (VS3859)		RL27FYU3YS10054	EIN04
3	LEATHER	DA 23.6 PEPPERDUST LANTAL/LACAR GPL (VS3859)		RL27FYU3YS10054	EIN05
3	LEATHER	DA 23.6 PEPPERDUST LANTAL/LACAR GPL (VS3859)		RL27FYB3YS00009	EW1
3	LEATHER	DA 23.6 PEPPERDUST LANTAL/LACAR GPL (VS3859)		RL27FYU3YS00009	EW1
3	LEATHER	DA 23.6 PEPPERDUST LANTAL/LACAR GPL (VS3859)		RL27FYU3YS10054	FFT01-D14/D 15/D16
3	LEATHER	DA 23.6 PEPPERDUST LANTAL/LACAR GPL (VS3859)		RL27FYU3YS10054	FFT02
3	FABRIC	DA 20.11 PARIS AMAZONE ROHI		RL27FYD3YS00060	FH03

**Zodiac Seats France**  
**COMPONENT MAINTENANCE MANUAL**  
**RL-SERIES**

ITEM	MATERIAL	COLOR	REFERENCE	PART NUMBERS	COMPANY
3	LEATHER	DA 23.6 PEPPERDUST LANTAL/LACAR GPL (VS3859)		RL27FYD3YS00078	FIN02-D9 and on
3	LEATHER	DA 23.6 PEPPERDUST LANTAL/LACAR GPL (VS3859)		RL27FYD3YS00078	FIN03-D1/D 7/D11 and on
3	LEATHER	DA 23.6 PEPPERDUST LANTAL/LACAR GPL (VS3859)		RL27FYU3YS10054	FN1
3	LEATHER	DA 23.6 PEPPERDUST LANTAL/LACAR GPL (VS3859)		RL27FYU3YS10054	G2X04
3	LEATHER	DA 23.6 PEPPERDUST LANTAL/LACAR GPL (VS3859)		RL27FYU3YS00047	G8E03-D10 /D12/ D14/D18/D1 9/D26
3	LEATHER	DA 23.6 PEPPERDUST LANTAL/LACAR GPL (VS3859)		RL27FYU3YS10054	G8E03-D20 /D21
3	LEATHER	DA 23.6 PEPPERDUST LANTAL/LACAR GPL (VS3859)		RL27FYU3YS10054	G8E03-D20 /D21
3	LEATHER	DA 23.6 PEPPERDUST LANTAL/LACAR GPL (VS3859)		RL27FYU3YS10054	G8E05-D11/D 12/D15 and on
3	LEATHER	DA 23.6 PEPPERDUST LANTAL/LACAR GPL (VS3859)		RL27FYU3YS10054	G8E07
3	LEATHER	DA 23.6 PEPPERDUST LANTAL/LACAR GPL (VS3859)		RL27FYU3YS10054	G8E09
3	LEATHER	DA 23.6 PEPPERDUST LANTAL/LACAR GPL (VS3859)		RL27FYU3YS10054	G8E10
3	LEATHER	DA 23.6 PEPPERDUST LANTAL/LACAR GPL (VS3859)		RL27FYU3YS10054	G8E11
3	LEATHER	DA 23.6 PEPPERDUST LANTAL/LACAR GPL (VS3859)		RL27FYU3YS10054	G8E12
3	LEATHER	DA 23.6 PEPPERDUST LANTAL/LACAR GPL (VS3859)		RL27FYF3YS00047	GW01
3	LEATHER	DA 23.6 PEPPERDUST LANTAL/LACAR GPL (VS3859)		RL27FYF3YS00047	GW03-D1
3	LEATHER	DA 23.6 PEPPERDUST LANTAL/LACAR GPL (VS3859)		RL27FYU3YS00047	GW03-D13
3	LEATHER	DA 23.6 PEPPERDUST LANTAL/LACAR GPL (VS3859)		RL27FYU3YS00047	GW03-D17
3	LEATHER	DA 23.6 PEPPERDUST LANTAL/LACAR GPL (VS3859)		RL27FYU3YS00047	GW03-D22 /D23

**Zodiac Seats France**  
**COMPONENT MAINTENANCE MANUAL**  
**RL-SERIES**

ITEM	MATERIAL	COLOR	REFERENCE	PART NUMBERS	COMPANY
3	LEATHER	DA 23.6 PEPPERDUST LANTAL/LACAR GPL (VS3859)		RL27FYF4YS00081	GW03-D5
3	LEATHER	DA 23.6 PEPPERDUST LANTAL/LACAR GPL (VS3859)		RL27FYU3YS00047	GW03-D6 and on
3	LEATHER	DA 23.6 PEPPERDUST LANTAL/LACAR GPL (VS3859)		RL27FYF3YS00047	GW04-D1
3	LEATHER	DA 23.6 PEPPERDUST LANTAL/LACAR GPL (VS3859)		RL27FYF3YS00047	GW04-D2
3	LEATHER	DA 23.6 PEPPERDUST LANTAL/LACAR GPL (VS3859)		RL27FYF3YS00047	GW04-D3
3	LEATHER	DA 23.6 PEPPERDUST LANTAL/LACAR GPL (VS3859)		RL27FYF3YS00047	GW04-D4
3	LEATHER	DA 23.6 PEPPERDUST LANTAL/LACAR GPL (VS3859)		RL27FYU3YS00047	GW04-D5
3	LEATHER	DA 23.6 PEPPERDUST LANTAL/LACAR GPL (VS3859)		RL47FYF3YS00047	GW1
3	LEATHER	DA 23.6 PEPPERDUST LANTAL/LACAR GPL (VS3859)		RL27FYU3YS00047	GW3-D10/D12
3	LEATHER	DA 23.6 PEPPERDUST LANTAL/LACAR GPL (VS3859)		RL27FYU3YS00047	GW3-D11
3	LEATHER	DA 23.6 PEPPERDUST LANTAL/LACAR GPL (VS3859)		RL47FYF3YS00054	GW3-D3
3	LEATHER	DA 23.6 PEPPERDUST LANTAL/LACAR GPL (VS3859)		RL27FYU3YS10084	GW3-D8
3	LEATHER	DA 23.6 PEPPERDUST LANTAL/LACAR GPL (VS3859)		RL27FYU3YS10084	GW3-D9
3	LEATHER	DA 23.6 PEPPERDUST LANTAL/LACAR GPL (VS3859)		RL27FYF3YS00047	GW5
3	LEATHER	DA 23.6 PEPPERDUST LANTAL/LACAR GPL (VS3859)		RL27FYU3YS00047	GW5-D3 and on
3	LEATHER	DA 23.6 PEPPERDUST LANTAL/LACAR GPL (VS3859)		RL27FYU3YS10054	GW5-D5/D8
3	LEATHER	DA 23.6 PEPPERDUST LANTAL/LACAR GPL (VS3859)		RL27FYU3YS10084	GZ1
3	LEATHER	DA 23.6 PEPPERDUST LANTAL/LACAR GPL (VS3859)		RL27FYU3YS10054	GZ2
3	LEATHER	DA 23.6 PEPPERDUST LANTAL/LACAR GPL (VS3859)		RL27FYU3YS10054	GZ3
3	LEATHER	DA 23.6 PEPPERDUST LANTAL/LACAR GPL (VS3859)		RL27FYU3YS00054	HVN01

**Zodiac Seats France**  
**COMPONENT MAINTENANCE MANUAL**  
**RL-SERIES**

ITEM	MATERIAL	COLOR	REFERENCE	PART NUMBERS	COMPANY
3	LEATHER	DA 23.6 PEPPERDUST LANTAL/LACAR GPL (VS3859)		RL27FYU3YS00054	I2L02
3	LEATHER	CL-143 THUNDER GPL TOWNSEND LEATHER APPAREL		RL27FYU3YS10080	I2L09-D7
3	LEATHER	DA 23.6 PEPPERDUST LANTAL/LACAR GPL (VS3859)		RL27FYU3YS10054	I2L12
3	LEATHER	DA 23.6 PEPPERDUST LANTAL/LACAR GPL (VS3859)		RL27FYU3YS10054	I2L14
3	LEATHER	DA 23.6 PEPPERDUST LANTAL/LACAR GPL (VS3859)		RL27FYU3YS10054	I2L16
3	LEATHER	DA 23.6 PEPPERDUST LANTAL/LACAR GPL (VS3859)		RL27FYU3YS10054	I2L18
3	LEATHER	DA 23.6 PEPPERDUST LANTAL/LACAR GPL (VS3859)		RL27FYU3YS10054	I2L19
3	LEATHER	DA 23.6 PEPPERDUST LANTAL/LACAR GPL (VS3859)		RL27FYU3YS10054	I2L22
3	LEATHER	DA 23.6 PEPPERDUST LANTAL/LACAR GPL (VS3859)		RL27FYU3YS10054	I2L23
3	LEATHER	DA 23.6 PEPPERDUST LANTAL/LACAR GPL (VS3859)		RL27FYU3YS10054	I2L25
3	LEATHER	DA 23.6 PEPPERDUST LANTAL/LACAR GPL (VS3859)		RL27FYU3YS10054	I2L26
3	LEATHER	DA 23.6 PEPPERDUST LANTAL/LACAR GPL (VS3859)		RL27FYU3YS10054	I2L28
3	LEATHER	DA 23.6 PEPPERDUST LANTAL/LACAR GPL (VS3859)		RL27FYU3YS10054	I2L29
3	LEATHER	DA 23.6 PEPPERDUST LANTAL/LACAR GPL (VS3859)		RL27FYU3YS10054	I2L30
3	LEATHER	DA 23.6 PEPPERDUST LANTAL/LACAR GPL (VS3859)		RL27FYU3YS10054	I2L34
3	FABRIC	TBN 6015 INDUSTRIAL NEO-TEX		RL47FYF3YS10077	IB03
3	FABRIC	TBN 6015 INDUSTRIAL NEO-TEX		RL47FYF3YS10077	IB04
3	FABRIC	TBN 6015 INDUSTRIAL NEO-TEX		RL47FYU3YS10077	IB3-D20
3	FABRIC	TBN 6015 INDUSTRIAL NEO-TEX		RL47FYU3YS10077	IB4-D3 and on
3	FABRIC	TBN 6015 INDUSTRIAL NEO-TEX		RL47FYU3YS10077	IBE04-D9 and on
3	FABRIC	TBN 6015 INDUSTRIAL NEO-TEX		RL47FYU3YS10077	IBE05
3	LEATHER	DA 23.6 PEPPERDUST LANTAL/LACAR GPL (VS3859)		RL27FYU3YS10054	IBE06

**Zodiac Seats France**  
**COMPONENT MAINTENANCE MANUAL**  
**RL-SERIES**

ITEM	MATERIAL	COLOR	REFERENCE	PART NUMBERS	COMPANY
3	LEATHER	DA 23.6 PEPPERDUST LANTAL/LACAR GPL (VS3859)		RL27FYU3YS10054	IBE07-D1 and on
3	LEATHER	DA 23.6 PEPPERDUST LANTAL/LACAR GPL (VS3859)		RL27FYU3YS10054	IBE07-D7 and on
3	LEATHER	DA 23.6 PEPPERDUST LANTAL/LACAR GPL (VS3859)		RL27FYU3YS10054	IBE08-D1 and on
3	FABRIC	STEPPE GAMBIA/STEPPE ROHI/ STOFFE		RL47FYA3YS00001	IT1
3	FABRIC	STEPPE GAMBIA/STEPPE ROHI/ STOFFE		RL47FYT3YS00001	IT1
3	LEATHER	CL-143 THUNDER GPL TOWNSEND LEATHER APPAREL		RL27FYU3YS10080	J3K01-D19 and on
3	LEATHER	CL-143 THUNDER TOWNSEND LEATHER		RL27FYF3YS00080	JF01
3	LEATHER	CL-143 THUNDER TOWNSEND LEATHER		RL27FYU3YS10080	JF01-D5
3	LEATHER	DA 23.6 PEPPERDUST LANTAL/LACAR GPL (VS3859)		RL27FYF3YS00054	JG1
3	LEATHER	DA 23.6 PEPPERDUST LANTAL/LACAR GPL (VS3859)		RL27FYF3YS10054	JK1
3	LEATHER	DA 23.63 VIENNA GREY LANTAL/ LACAR NAPA GPL (VS3859)		RL27FYU3YS10054	JK1-D2
3	LEATHER	DA 23.6 PEPPERDUST LANTAL/LACAR GPL (VS3859)		RL27FYU3YS10054	JK2
3	LEATHER	DA 23.6 PEPPERDUST LANTAL/LACAR GPL (VS3859)		RL27FYU3YS10054	JKK02-D5
3	FABRIC	DA 20.11 PARIS AMAZONE ROHI		RL47FYF31S00057	KA1
3	FABRIC	DA 20.11 PARIS AMAZONE ROHI		RL47FYF31S10057	KA1-D2
3	LEATHER	DA 23.63 VIENNA GREY LANTAL/ LACAR NAPA GPL (VS3859)		RL27FYF3YS00069	KF1
3	LEATHER	DA 23.6 PEPPERDUST LANTAL/LACAR GPL (VS3859)		RL27FYU3YS10054	KFR03
3	LEATHER	DA 23.6 PEPPERDUST LANTAL/LACAR GPL (VS3859)		RL27FYU3YS10054	KFR03-D2 and on
3	LEATHER	DA 23.6 PEPPERDUST LANTAL/LACAR GPL (VS3859)		RL27FYU3YS10054	KFR04
3	LEATHER	DA 23.6 PEPPERDUST LANTAL/LACAR GPL (VS3859)		RL27FYU3YS10054	KFR04-D6

**Zodiac Seats France**  
**COMPONENT MAINTENANCE MANUAL**  
**RL-SERIES**

ITEM	MATERIAL	COLOR	REFERENCE	PART NUMBERS	COMPANY
3	LEATHER	DA 23.63 VIENNA GREY LANTAL/ LACAR NAPA GPL (VS3859)		RL27FYF3YS00076	KK02
3	LEATHER	DA 23.63 VIENNA GREY LANTAL/ LACAR NAPA GPL (VS3859)		RL27FYF3YS10076	KK02-D3
3	LEATHER	DA 23.63 VIENNA GREY LANTAL/ LACAR NAPA GPL (VS3859)		RL27FYU3YS10076	KK02-D5
3	LEATHER	DA 23.63 VIENNA GREY LANTAL/ LACAR NAPA GPL (VS3859)		RL27FYF3YS00076	KK1
3	LEATHER	DA 23.18 ATLANTIC 4500 LANTAL GPL (VS3859)		RL27FYU3YS00082	LA1
3	LEATHER	DA 23.18 ATLANTIC 4500 LANTAL GPL (VS3859)		RL27FYU3YS00082	LAN02
3	LEATHER	DA 24.2 DARK GREY SCHAUNBURG NCS 7500		RL27FYF3YS10079	LH4
3	LEATHER	DA 24.2 DARK GREY SCHAUNBURG NCS 7500		RL27FYU3YS10079	LH5
3	LEATHER	DA 23.6 PEPPERDUST LANTAL/LACAR GPL (VS3859)		RL27FYD3YS00044	LL1
3	LEATHER	DA 23.6 PEPPERDUST LANTAL/LACAR GPL (VS3859)		RL27FYS3YS00051	LL1-D7
3	LEATHER	DA 23.6 PEPPERDUST LANTAL/LACAR GPL (VS3859)		RL27FYD3YS00044	LL2
3	LEATHER	DA 23.6 PEPPERDUST LANTAL/LACAR GPL (VS3859)		RL27FYU3YS00054	LS1
3	LEATHER	DA 23.6 PEPPERDUST LANTAL/LACAR GPL (VS3859)		RL27FYU3YS10084	LТУ01
3	LEATHER	DA 23.6 PEPPERDUST LANTAL/LACAR GPL (VS3859)		RL27FYU3YS10084	LТУ02
3	LEATHER	DA 23.6 PEPPERDUST LANTAL/LACAR GPL (VS3859)		RL27FYF3YS00054	LU01
3	LEATHER	DA 23.6 PEPPERDUST LANTAL/LACAR GPL (VS3859)		RL27FYF3YS00054	MI01
3	LEATHER	DA 23.6 PEPPERDUST LANTAL/LACAR GPL (VS3859)		RL27FYF3YS10054	MI2
3	LEATHER	DA 23.6 PEPPERDUST LANTAL/LACAR GPL (VS3859)		RL27FYU3YS00054	MK1
3	LEATHER	DA 20.11 AMAZONE ROHI/PARIS		RL12FYA3YS00023	MS2
3	LEATHER	DA 20.11 AMAZONE ROHI/PARIS		RL12FYT3YS00023	MS2

**Zodiac Seats France**  
**COMPONENT MAINTENANCE MANUAL**  
**RL-SERIES**

ITEM	MATERIAL	COLOR	REFERENCE	PART NUMBERS	COMPANY
3	LEATHER	DA 23.6 PEPPERDUST LANTAL/LACAR GPL (VS3859)		RL27FYF3YS00054	MU1
3	LEATHER	DA 23.63 VIENNA GREY LANTAL/ LACAR NAPA GPL (VS3859)		RL27FYU3YS00054	MU1-D4
3	LEATHER	DA 23.6 PEPPERDUST LANTAL/LACAR GPL (VS3859)		RL27FYU3YS10054	MXA02
3	LEATHER	DA 23.6 PEPPERDUST LANTAL/LACAR GPL (VS3859)		RL27FYU3YS10054	MXA03
3	LEATHER	DA 23.6 PEPPERDUST LANTAL/LACAR GPL (VS3859)		RL27FYU3YS10054	MXA04
3	LEATHER	DA 23.6 PEPPERDUST LANTAL/LACAR GPL (VS3859)		RL27FYU3YS10054	MXA05
3	FABRIC	BROWN UPH-12.D.B TATSUMARA		RL27FYF31S00058	NH2
3	FABRIC	BROWN UPH-12.D.B TATSUMARA		RL27FYF3YS00058	NH2
3	LEATHER	BLUE GREY DOUGLAS INTERIOR PRODUCTS		RL27FYF31S10059	NW2
3	LEATHER	DA 23.66 BUFFALO DOUGLAS INTERIOR LT-4430		RL27FYU31S10059	NW2-D21
3	LEATHER	BLUE GREY DOUGLAS INTERIOR PRODUCTS		RL27FYF31S10059	NW3
3	LEATHER	BLUE GREY DOUGLAS INTERIOR PRODUCTS		RL27FYU31S10059	NW3-D17 and on
3	LEATHER	DA 23.6 PEPPERDUST LANTAL/LACAR GPL (VS3859)		RL27FYF3YS00054	NX01
3	LEATHER	DA 23.6 PEPPERDUST LANTAL/LACAR GPL (VS3859)		RL47FYF3YS00054	OM01
3	LEATHER	DA 23.63 VIENNA GREY LANTAL/ LACAR NAPA GPL (VS3859)		RL27FYF3YS00036	OS3
3	LEATHER	DA 23.63 VIENNA GREY LANTAL/ LACAR NAPA GPL (VS3859)		RL27FYU3YS00036	OS4
3	LEATHER	DA 23.6 PEPPERDUST LANTAL/LACAR GPL (VS3859)		RL27FYB3YS00047	OU1
3	LEATHER	DA 23.6 PEPPERDUST LANTAL/LACAR GPL (VS3859)		RL27FYB3YS00047	OU2
3	LEATHER	DA 23.6 PEPPERDUST LANTAL/LACAR GPL (VS3859)		RL27FYD1YS00052	OZ1
3	LEATHER	DA 23.6 PEPPERDUST LANTAL/LACAR GPL (VS3859)		RL27FYF3YS00054	OZ2

**Zodiac Seats France**  
**COMPONENT MAINTENANCE MANUAL**  
**RL-SERIES**

ITEM	MATERIAL	COLOR	REFERENCE	PART NUMBERS	COMPANY
3	LEATHER	DA 23.6 PEPPERDUST LANTAL/LACAR GPL (VS3859)		RL27FYU3YS00054	OZ2-D3 and on
3	LEATHER	DA 23.6 PEPPERDUST LANTAL/LACAR GPL (VS3859)		RL27FYU3YS00054	OZ3
3	LEATHER	DA 23.78 MOON VALLEY LANTAL/ LACAR GPL (VS3859)		RL27FYF3YS00048	PR1
3	LEATHER	DA 23.75 ASH GREY LACAR GPL LANTAL(VS3859)		RL27FYU3YS00055	QR1
3	LEATHER	DA 23.75 ASH GREY LACAR GPL LANTAL(VS3859)		RL27FYU3YS00055	QTR02
3	LEATHER	DA 23.6 PEPPERDUST LANTAL/LACAR GPL (VS3859)		RL27FYU3YS10054	RAM01
3	LEATHER	DA 23.6 PEPPERDUST LANTAL/LACAR GPL (VS3859)		RL27FYU3YS10054	RAM01-D4 and on
3	LEATHER	DA 23.63 VIENNA GREY LANTAL/ LACAR NAPA GPL (VS3859)		RL47FYF3YS00067	RB1
3	LEATHER	DA 23.6 PEPPERDUST LANTAL/LACAR GPL (VS3859)		RL27FYU3YS10054	S2A09
3	LEATHER	DA 23.75 ASH GREY LACAR GPL LANTAL(VS3859)		RL27FYU3YS00055	S2A10
3	LEATHER	DA 23.75 ASH GREY LACAR GPL LANTAL(VS3859)		RL27FYU3YS00055	S2A11-D3 and on
3	LEATHER	DA 23.84 INK LACAR NAPPA		RL27FYF3YS00074	SN03
3	LEATHER	DA 23.84 INK LACAR NAPPA		RL27FYF3YS00074	SN1
3	LEATHER	DA 23.84 INK LACAR NAPPA		RL27FYF3YS00074	SN2
3	LEATHER	DA 23.84 INK LACAR NAPPA		RL27FYU3YS00074	SN2-D14 and on
3	LEATHER	DA 23.6 PEPPERDUST LANTAL/LACAR GPL (VS3859)		RL27FYU3YS00054	SN2-D16/D17
3	LEATHER	DA 23.6 PEPPERDUST LANTAL/LACAR GPL (VS3859)		RL27FYU3YS00054	SN2-G8E/MX
3	LEATHER	DA 23.84 INK LACAR NAPPA		RL27FYU3YS00074	SN3-D3 and on
3	LEATHER	DA 23.75 ASH GREY LANTAL/ LACAR NAPA GPL		RL27FYF4YS00049	TA2
3	LEATHER	DA 23.6 PEPPERDUST LANTAL/LACAR GPL (VS3859)		RL27FYF4YS10049	TA3

**Zodiac Seats France**  
**COMPONENT MAINTENANCE MANUAL**  
**RL-SERIES**

ITEM	MATERIAL	COLOR	REFERENCE	PART NUMBERS	COMPANY
3	LEATHER	DA 23.75 ASH GREY LANTAL/ LACAR NAPA GPL (VS3859)		RL27FYF4YS10049	TA4
3	LEATHER	DA 23.75 ASH GREY LANTAL/ LACAR NAPA GPL (VS3859)		RL27FYF4YS10049	TAI06-D1 and on
3	LEATHER	DA 23.63 VIENNA GREY LANTAL/ LACAR NAPA GPL (VS3859)		RL27FYU3YS10076	TAM01-D7
3	LEATHER	DA 23.63 VIENNA GREY LANTAL/ LACAR NAPA GPL (VS3859)		RL27FYU3YS10076	TAM03-D1 and on
3	LEATHER	DA 23.63 VIENNA GREY LANTAL/ LACAR NAPA GPL (VS3859)		RL27FYU3YS10076	TAM04
3	LEATHER	DA 23.6 PEPPERDUST LANTAL/LACAR GPL (VS3859)		RL27FYU3YS00054	TGW01
3	LEATHER	DA 23.75 ASH GREY LANTAL/ LACAR NAPA GPL (VS3859)		RL27FYS3YS00051	TP02
3	LEATHER	DA 23.6 PEPPERDUST LANTAL/LACAR GPL (VS3859)		RL27FYS3YS00051	TP03
3	LEATHER	DA 23.6 PEPPERDUST LANTAL/LACAR GPL (VS3859)		RL27FYS3YS00051	TP1
3	FABRIC	DA 20.11 PARIS AMAZONE ROHI		RL27FYD3YS00062	TU03
3	FABRIC	DA 20.11 PARIS AMAZONE ROHI		RL27FYD3YS00062	TU2
3	LEATHER	LANGENTHAL 6577/34 SUMMER FOREST SPRUCE		RL27FYU3YS00041	US SEMI
3	FABRIC	44	LANTAL 6816/44	RL27FYF3YS00050	VX1
3	LEATHER	DA 23.6 PEPPERDUST LANTAL/LACAR GPL (VS3859)		RL27FYU3YS00054	VX2
3	LEATHER	DA 23.45 MARINE LANTAL (VS3859)		RL27FYF4YS00066	WE2
3	LEATHER	DA 23.45 MARINE LANTAL (VS3859)		RL27FYF4YS00066	WE3
3	LEATHER	DA 23.6 PEPPERDUST LANTAL/LACAR GPL (VS3859)		RL47FYF3YS00047	WH1
3	LEATHER	DA 23.6 PEPPERDUST LANTAL/LACAR GPL (VS3859)		RL47FYU3YS00047	WH1-D12 and on
3	LEATHER	DA 23.75 ASH GREY LANTAL/ LACAR NAPA GPL		RL27FYF3YS00055	WS01
3	LEATHER	CL-023 CLASSIC THUNDER TOWNSEND LEATHER		RL27FYF3YS00080	WS01-D11
3	LEATHER	CL-023 CLASSIC THUNDER TOWNSEND LEATHER		RL27FYF3YS00080	WS01-D12

**Zodiac Seats France**  
**COMPONENT MAINTENANCE MANUAL**  
**RL-SERIES**

ITEM	MATERIAL	COLOR	REFERENCE	PART NUMBERS	COMPANY
3	LEATHER	DA 23.6 PEPPERDUST LANTAL/LACAR GPL (VS3859)		RL47FYF3YS00054	WS03-D1
3	LEATHER	DA 23.84 INK LACAR NAPPA		RL27FYU3YS00074	WS06
3	LEATHER	DA 23.6 PEPPERDUST LANTAL/LACAR GPL (VS3859)		RL27FYF3YS10054	WS4-D1
3	LEATHER	DA 23.75 ASH GREY LANTAL/ LACAR NAPA GPL (VS3859)		RL27FYU3YS00055	WS5
3	LEATHER	DA 23.6 PEPPERDUST LANTAL/LACAR GPL (VS3859)		RL27FYU3YS00047	WS7
3	LEATHER	P/N LL3412 COLOR PEWTER DOUGLAS INTERIOR		RL27FYF3YS00061	XF04
3	FABRIC	DA 20.11 PARIS AMAZONE ROHI		RL47FYF31S00057	XF04-D10
3	FABRIC	DA 20.11 PARIS AMAZONE ROHI		RL47FYF31S00057	XF04-D9
3	FABRIC	TBN 6015 INDUSTRIAL NEO-TEX		RL47FYF3YS10077	XF08
3	LEATHER	CL-143 THUNDER TOWNSEND LEATHER		RL27FYU3YS10080	XF09-D3
3	LEATHER	DA 23.6 PEPPERDUST LANTAL/LACAR GPL (VS3859)		RL27FYB3YS00047	XF1
3	LEATHER	DA 23.6 PEPPERDUST LANTAL/LACAR GPL (VS3859)		RL27FYU3YS10054	XF10
3	LEATHER	DA 23.6 PEPPERDUST LANTAL/LACAR GPL (VS3859)		RL27FYF3YS00054	XF5
3	FABRIC	DA 20.11 PARIS AMAZONE ROHI		RL47FYF31S00057	XF5
3	LEATHER	DA 23.6 PEPPERDUST LANTAL/LACAR GPL (VS3859)		RL47FYF3YS00054	XF5-D10
3	LEATHER	DA 23.45 MARINE LANTAL (VS3859)		RL27FYF4YS10066	XF6
3	LEATHER	DA 23.45 MARINE LANTAL (VS3859)		RL27FYF4YS00066	XF7-D1
3	FABRIC	TBN 6015 INDUSTRIAL NEO-TEX		RL47FYU3YS10077	XF8-D4
3	LEATHER	CL-143 THUNDER TOWNSEND LEATHER		RL27FYF3YS10080	XF9
3	FABRIC	STEPPE GAMBIA/STEPPE ROHI/ STOFFE		RL47FYA3YS00099	XP1
3	FABRIC	STEPPE GAMBIA/STEPPE ROHI/ STOFFE		RL47FYT3YS00099	XP1
3	LEATHER	DA 23.6 PEPPERDUST LANTAL/LACAR GPL (VS3859)		RL27FYU3YS00054	XY01

**Zodiac Seats France**  
**COMPONENT MAINTENANCE MANUAL**  
**RL-SERIES**

ITEM	MATERIAL	COLOR	REFERENCE	PART NUMBERS	COMPANY
3	LEATHER	DA 23.6 PEPPERDUST LANTAL/LACAR GPL (VS3859)		RL27FYF3YS00054	XY1
3	LEATHER	DA 23.6 PEPPERDUST LANTAL/LACAR GPL (VS3859)		RL27FYU3YS00054	XY2
3	LEATHER	DA 23.6 PEPPERDUST LANTAL/LACAR GPL (VS3859)		RL27FYU3YS10084	XY3
3	LEATHER	DA 23.6 PEPPERDUST LANTAL/LACAR GPL (VS3859)		RL27FYU3YS00054	XY6
3	LEATHER	DA 23.6 PEPPERDUST LANTAL/LACAR GPL (VS3859)		RL47FYB3YS00085	XZ1
3	LEATHER	DA 23.6 PEPPERDUST LANTAL/LACAR GPL (VS3859)		RL47FYU3YS00085	XZ1
3	LEATHER	DA 23.6 PEPPERDUST LANTAL/LACAR GPL (VS3859)		RL47FYB3YS00009	XZ3
3	LEATHER	DA 23.6 PEPPERDUST LANTAL/LACAR GPL (VS3859)		RL47FYU3YS00009	XZ3
3	LEATHER	DA 23.6 PEPPERDUST LANTAL/LACAR GPL (VS3859)		RL47FYF3YS00047	ZZ01
3	LEATHER	DA 23.6 PEPPERDUST LANTAL/LACAR GPL (VS3859)		RL47FYA3YS00046	ZZ1
3	LEATHER	DA 23.6 PEPPERDUST LANTAL/LACAR GPL (VS3859)		RL47FYT3YS00046	ZZ1
4	PC PAINT	PEPPERDUST	DA 2.10	RL27FYU3YS10054	10X01
4	PC PAINT	PEPPERDUST	DA 2.10	RL27FYU3YS10054	10X02
4	PC PAINT	PEPPERDUST	DA 2.10	RL27FYU3YS00054	47W01
4	PC PAINT	PEPPERDUST	DA 2.10	RL27FYU3YS00054	53X01
4	PC PAINT	PEPPERDUST	DA 2.10	RL27FYU3YS10054	87Z01
4	PC PAINT	PEPPERDUST	DA 2.10	RL27FYU3YS10054	89Y01
4	PC PAINT	PEPPERDUST	DA 2.10	RL27FYU3YS10054	AAR02-D4
4	PC PAINT	PEPPERDUST	DA 2.10	RL27FYU3YS00054	AAR02-D5
4	PC PAINT	PEPPERDUST	DA 2.10	RL27FYU3YS00054	AAR02-D7 and on
4	PC PAINT	PEPPERDUST	DA 2.10	RL27FYU3YS10054	AAR04-D1
4	PC PAINT	PEPPERDUST	DA 2.10	RL27FYU3YS00054	AAR04-D2 and on
4	PC PAINT	PEPPERDUST	DA 2.10	RL27FYU3YS00054	AAR05
4	PC PAINT	PEPPERDUST	DA 2.10	RL27FYU3YS10054	AAR06-D1 and on

**Zodiac Seats France**  
**COMPONENT MAINTENANCE MANUAL**  
**RL-SERIES**

ITEM	MATERI-AL	COLOR	REFERENCE	PART NUMBERS	COMPANY
4	PC PAINT	PEPPERDUST	DA 2.10	RL27FYU3YS10054	ABY01
4	PC PAINT	PEPPERDUST	DA 2.10	RL27FYB3YS00041	AC2
4	PC PAINT	PEPPERDUST	DA 2.10	RL27FYU3YS00041	AC2
4	PC PAINT	PEPPERDUST	DA 2.10	RL47FYF3YS00053	AF2
4	PC PAINT	PEPPERDUST	DA 2.10	RL47FYD3YS00071	AF2-D3
4	PC PAINT	PEPPERDUST	DA 2.10	RL47FYD3YS30071	AF2-D5 and on
4	PC PAINT	PEPPERDUST	DA 2.10	RL47FYD3YS30071	AF2-D6 and on
4	PC PAINT	PEPPERDUST	DA 2.10	RL47FYD3YS10071	AF3-D14
4	PC PAINT	PEPPERDUST	DA 2.10	RL47FYD3YS00071	AF3-D14 and on
4	PC PAINT	PEPPERDUST	DA 2.10	RL47FYD3YS10071	AF3-D15
4	PC PAINT	PEPPERDUST	DA 2.10	RL47FYD3YS30071	AF3-D18
4	PC PAINT	PEPPERDUST	DA 2.10	RL47FYD3YS30071	AF3-D18/D19/D21/ D24-D26/D28-D30
4	PC PAINT	PEPPERDUST	DA 2.10	RL47FYD3YS30071	AF3-D19
4	PC PAINT	PEPPERDUST	DA 2.10	RL47FYD3YS30071	AF3-D21
4	PC PAINT	PEPPERDUST	DA 2.10	RL47FYD3YS00071	AF3-D8
4	PC PAINT	PEPPERDUST	DA 2.10	RL47FYD3YS30071	AF5
4	PC PAINT	PEPPERDUST	DA 2.10	RL27FYU3YS10054	AFL01
4	PC PAINT	PEPPERDUST	DA 2.10	RL27FYU3YS10054	AFL02
4	PC PAINT	PEPPERDUST	DA 2.10	RL27FYU3YS10054	AFL03
4	PC PAINT	PEPPERDUST	DA 2.10	RL27FYU3YS10054	AFL04
4	PC PAINT	BEIGE ERITREA	AIC 3.17	RL47FYT3YS00001	AFR Spare
4	PC PAINT	PEPPERDUST	DA 2.10	RL47FYD3YS30071	AFR05/AFR07/ AFR10
4	PC PAINT	PEPPERDUST	DA 2.10	RL47FYD3YS30071	AFR06
4	PC PAINT	PEPPERDUST	DA 2.10	RL47FYD3YS30071	AFR09
4	PC PAINT	PEPPERDUST	DA 2.10	RL47FYD3YS30071	AFR11
4	PC PAINT	PEPPERDUST	DA 2.10	RL47FYD3YS30071	AFR12
4	PC PAINT	PEPPERDUST	DA 2.10	RL47FYD3YS30071	AFR13
4	PC PAINT	PEPPERDUST	DA 2.10	RL47FYD3YS30071	AFR14 and on
4	PC PAINT	PEPPERDUST	DA 2.10	RL47FYD3YS30071	AFR15-D1 and on

**Zodiac Seats France**  
**COMPONENT MAINTENANCE MANUAL**  
**RL-SERIES**

ITEM	MATERIAL	COLOR	REFERENCE	PART NUMBERS	COMPANY
4	PC PAINT	PEPPERDUST	DA 2.10	RL47FYD3YS30071	AFR16-D1 and on
4	PC PAINT	PEPPERDUST	DA 2.10	RL27FYU3YS00054	AHY01
4	PC PAINT	PEPPERDUST	AIC 2.10	RL27FYF3YS00143	Air Astana
4	PC PAINT	PEPPERDUST	DA 2.10	RL27FYU3YS00054	AMM01-D1/D2/D3/D5
4	PC PAINT	PEPPERDUST	DA 2.10	RL27FYU3YS10054	AMM01-D4
4	PC PAINT	PEPPERDUST	DA 2.10	RL27FYU3YS10054	AMM02
4	PC PAINT	PEPPERDUST	DA 2.10	RL27FYF4YS10066	AWE02-D31
4	PC PAINT	PEPPERDUST	DA 2.10	RL27FYF4YS10066	AWE03-D23/D24
4	PC PAINT	PEPPERDUST	DA 2.10	RL27FYF4YS00066	AWE04
4	PC PAINT	PEPPERDUST	DA 2.10	RL27FYF4YS00066	AWE05
4	PC PAINT	PEPPERDUST	DA 2.10	RL27FYD3YS00078	AY01
4	PC PAINT	PEPPERDUST	DA 2.10	RL27FYF3YS00054	AY01
4	PC PAINT	PEPPERDUST	DA 2.10	RL27FYD3YS00078	AY02
4	PC PAINT	PEPPERDUST	DA 2.10	RL27FYD3YS00078	AY03
4	PC PAINT	PEPPERDUST	DA 2.10	RL47FYF3YS00073	AZ02
4	PC PAINT	PEPPERDUST	DA 2.10	RL47FYB3YS00064	AZ1
4	PC PAINT	PEPPERDUST	DA 2.10	RL47FYU3YS00064	AZ1
4	PC PAINT	PEPPERDUST	DA 2.10	RL27FYU3YS10054	B2A02-D7,D9
4	PC PAINT	PEPPERDUST	DA 2.10	RL27FYF3YS10054	BA1
4	PC PAINT	PEPPERDUST	DA 2.10	RL27FYU3YS10054	BA1-D16 and on
4	PC PAINT	PEPPERDUST	DA 2.10	RL27FYU3YS10054	BA2
4	PC PAINT	PEPPERDUST	DA 2.10	RL27FYU3YS10054	BA3
4	PC PAINT	PEPPERDUST	DA 2.10	RL27FYU3YS10054	BA4
4	PC PAINT	PEPPERDUST	DA 2.10	RL27FYU3YS10054	BA5
4	PC PAINT	PEPPERDUST	DA 2.10	RL27FYU3YS10054	BAW06
4	PC PAINT	PEPPERDUST	DA 2.10	RL27FYU3YS10054	BAW08
4	PC PAINT	PEPPERDUST	DA 2.10	RL27FYU3YS10054	BAW10
4	PC PAINT	PEPPERDUST	DA 2.10	RL47FYF3YS00047	BD1
4	PC PAINT	PEPPERDUST	DA 2.10	RL47FYF3YS00047	BD2
4	PC PAINT	PEPPERDUST	DA 2.10	RL47FYU3YS10047	BD2-D5 and on

**Zodiac Seats France**  
**COMPONENT MAINTENANCE MANUAL**  
**RL-SERIES**

ITEM	MATERI-AL	COLOR	REFERENCE	PART NUMBERS	COMPANY
4	PC PAINT	PEPPERDUST	DA 2.10	RL47FYF3YS00047	BD3
4	PC PAINT	PEPPERDUST	DA 2.10	RL47FYF3YS00054	BL1
4	PC PAINT	PEPPERDUST	DA 2.10	RL27FYU3YS10054	BLR01
4	PC PAINT	PEPPERDUST	DA 2.10	RL47FYU3YS10047	BMA04
4	PC PAINT	PEPPERDUST	DA 2.10	RL47FYU3YS10047	BMA04-D4 and on
4	PC PAINT	PEPPERDUST	DA 2.10	RL27FYU3YS00054	C8J02-D1
4	PC PAINT	PEPPERDUST	DA 2.10	RL27FYU3YS00054	C8J02-D1/D3
4	PC PAINT	PEPPERDUST	DA 2.10	RL27FYU3YS00054	C8J02-D2
4	PC PAINT	PEPPERDUST	DA 2.10	RL27FYU3YS00054	C8J02-D4/D5
4	PC PAINT	TIN	DA 2.24	RL27FYU3YS00055	C8J02-D8
4	PC PAINT	PEPPERDUST	DA 2.10	RL27FYU3YS10054	C9G09
4	PC PAINT	PEPPERDUST	DA 2.10	RL27FYU3YS00054	C9G10
4	PC PAINT	PEPPERDUST	DA 2.10	RL27FYU3YS10054	C9G11
4	PC PAINT	TIN	DA 2.24	RL27FYU3YS00055	C9G12-D11
4	PC PAINT	PEPPERDUST	DA 2.10	RL27FYU3YS10054	C9G14
4	PC PAINT	PEPPERDUST	DA 2.10	RL27FYU3YS10054	C9G16
4	PC PAINT	PEPPERDUST	DA 2.10	RL27FYU3YS10054	C9G18
4	PC PAINT	PEPPERDUST	DA 2.10	RL27FYU3YS10054	C9G20/CIT
4	PC PAINT	PEPPERDUST	DA 2.10	RL27FYU3YS00054	CES02
4	PC PAINT	PEPPERDUST	DA 2.10	RL27FYU3YS10054	CES02-D11 /D12/ D13
4	PC PAINT	PEPPERDUST	DA 2.10	RL27FYU3YS10054	CES03
4	PC PAINT	PEPPERDUST	DA 2.10	RL27FYU3YS10056	CFG02
4	PC PAINT	PEPPERDUST	DA 2.10	RL27FYF3YS00057	CH1
4	PC PAINT	PEPPERDUST	DA 2.10	RL27FYF3YS00057	CH2
4	PC PAINT	PEPPERDUST	DA 2.10	RL27FYU3YS00054	CJ1
4	PC PAINT	PEPPERDUST	DA 2.10	RL27FYU3YS00054	CM01
4	PC PAINT	PEPPERDUST	DA 2.10	RL27FYU3YS00054	CSC03
4	PC PAINT	PEPPERDUST	DA 2.10	RL27FYU3YS00054	CYP02
4	PC PAINT	PEPPERDUST	DA 2.10	RL27FYF3YS00047	CZ1
4	PC PAINT	PEPPERDUST	DA 2.10	RL27FYU3YS10054	D2F01
4	PC PAINT	PEPPERDUST	DA 2.10	RL27FYU3YS10054	D2F02

**Zodiac Seats France**  
**COMPONENT MAINTENANCE MANUAL**  
**RL-SERIES**

ITEM	MATERIAL	COLOR	REFERENCE	PART NUMBERS	COMPANY
4	PC PAINT	PEPPERDUST	DA 2.10	RL27FYU3YS10054	D2F02
4	PC PAINT	PEPPERDUST	DA 2.10	RL27FYU3YS10054	D2F04
4	PC PAINT	PEPPERDUST	DA 2.10	RL27FYU3YS10054	D2F05
4	PC PAINT	PEPPERDUST	DA 2.10	RL27FYF31S00056	DE1
4	PC PAINT	PEPPERDUST	DA 2.10	RL27FYU3YS10056	DE1-D9 and on
4	PC PAINT	PEPPERDUST	DA 2.10	RL27FYU3YS10054	DKH01
4	PC PAINT	PEPPERDUST	AIC 2.10	RL27FYU3YS10054	DKH02-D1 and on
4	PC PAINT	PEPPERDUST	DA 2.10	RL27FYU3YS10054	DKN01-D16 and on
4	PC PAINT	TIN	DA 2.24	RL27FYU3YS10055	DKN01-D3
4	PC PAINT	PEPPERDUST	DA 2.10	RL27FYU3YS10054	DKN02
4	PC PAINT	PEPPERDUST	DA 2.10	RL27FYU3YS00054	DP1
4	PC PAINT	PEPPERDUST	DA 2.10	RL27FYU3YS00054	DR1
4	PC PAINT	PEPPERDUST	AIC 2.10	RL47FYF31S10S05	Dragon Air
4	PC PAINT	PEPPERDUST	DA 2.10	RL27FYU3YS10054	DXH01
4	PC PAINT	PEPPERDUST	DA 2.10	RL27FYF3YS00054	ED01
4	PC PAINT	PEPPERDUST	DA 2.10	RL27FYF3YS00061	EI02
4	PC PAINT	PEPPERDUST	DA 2.10	RL27FYU3YS00061	EI02-D2 and on
4	PC PAINT	PEPPERDUST	DA 2.10	RL27FYU3YS10054	EIN04
4	PC PAINT	PEPPERDUST	DA 2.10	RL27FYU3YS10054	EIN05
4	PC PAINT	PEPPERDUST	DA 2.10	RL27FYB3YS00009	EW1
4	PC PAINT	PEPPERDUST	DA 2.10	RL27FYU3YS00009	EW1
4	PC PAINT	PEPPERDUST	DA 2.10	RL27FYU3YS10054	FFT01-D14/D15/D16
4	PC PAINT	PEPPERDUST	DA 2.10	RL27FYU3YS10054	FFT02
4	PC PAINT	PEPPERDUST	DA 2.10	RL27FYD3YS00060	FH03
4	PC PAINT	PEPPERDUST	DA 2.10	RL27FYD3YS00078	FIN02-D9 and on
4	PC PAINT	PEPPERDUST	DA 2.10	RL27FYD3YS00078	FIN03-D1/D7/D11 and on
4	PC PAINT	PEPPERDUST	DA 2.10	RL27FYU3YS10054	FN1
4	PC PAINT	PEPPERDUST	DA 2.10	RL27FYU3YS10054	G2X04

**Zodiac Seats France**  
**COMPONENT MAINTENANCE MANUAL**  
**RL-SERIES**

ITEM	MATERI-AL	COLOR	REFERENCE	PART NUMBERS	COMPANY
4	PC PAINT	PEPPERDUST	DA 2.10	RL27FYU3YS00047	G8E03-D10 /D12/ D14/D18/D1 9/D26
4	PC PAINT	PEPPERDUST	DA 2.10	RL27FYU3YS10054	G8E03-D20 /D21
4	PC PAINT	PEPPERDUST	DA 2.10	RL27FYU3YS10054	G8E03-D20 /D21
4	PC PAINT	PEPPERDUST	DA 2.10	RL27FYU3YS10054	G8E05-D11/D 12/D15 and on
4	PC PAINT	PEPPERDUST	DA 2.10	RL27FYU3YS10054	G8E07
4	PC PAINT	PEPPERDUST	DA 2.10	RL27FYU3YS10054	G8E09
4	PC PAINT	PEPPERDUST	DA 2.10	RL27FYU3YS10054	G8E10
4	PC PAINT	PEPPERDUST	DA 2.10	RL27FYU3YS10054	G8E11
4	PC PAINT	PEPPERDUST	DA 2.10	RL27FYU3YS10054	G8E12
4	PC PAINT	PEPPERDUST	DA 2.10	RL27FYF3YS00047	GW01
4	PC PAINT	PEPPERDUST	DA 2.10	RL27FYF3YS00047	GW03-D1
4	PC PAINT	PEPPERDUST	DA 2.10	RL27FYU3YS00047	GW03-D13
4	PC PAINT	PEPPERDUST	DA 2.10	RL27FYU3YS00047	GW03-D17
4	PC PAINT	PEPPERDUST	DA 2.10	RL27FYU3YS00047	GW03-D22 /D23
4	PC PAINT	PEPPERDUST	DA 2.10	RL27FYF4YS00081	GW03-D5
4	PC PAINT	PEPPERDUST	DA 2.10	RL27FYU3YS00047	GW03-D6 and on
4	PC PAINT	PEPPERDUST	DA 2.10	RL27FYF3YS00047	GW04-D1
4	PC PAINT	PEPPERDUST	DA 2.10	RL27FYF3YS00047	GW04-D2
4	PC PAINT	PEPPERDUST	DA 2.10	RL27FYF3YS00047	GW04-D3
4	PC PAINT	PEPPERDUST	DA 2.10	RL27FYF3YS00047	GW04-D4
4	PC PAINT	PEPPERDUST	DA 2.10	RL27FYU3YS00047	GW04-D5
4	PC PAINT	PEPPERDUST	DA 2.10	RL47FYF3YS00047	GW1
4	PC PAINT	PEPPERDUST	DA 2.10	RL27FYU3YS00047	GW3-D10/D12
4	PC PAINT	PEPPERDUST	DA 2.10	RL27FYU3YS00047	GW3-D11
4	PC PAINT	PEPPERDUST	DA 2.10	RL47FYF3YS00054	GW3-D3
4	PC PAINT	PEPPERDUST	DA 2.10	RL27FYU3YS10084	GW3-D8
4	PC PAINT	PEPPERDUST	DA 2.10	RL27FYU3YS10084	GW3-D9

**Zodiac Seats France**  
**COMPONENT MAINTENANCE MANUAL**  
**RL-SERIES**

ITEM	MATERIAL	COLOR	REFERENCE	PART NUMBERS	COMPANY
4	PC PAINT	PEPPERDUST	DA 2.10	RL27FYF3YS00047	GW5
4	PC PAINT	PEPPERDUST	DA 2.10	RL27FYU3YS00047	GW5-D3 and on
4	PC PAINT	PEPPERDUST	DA 2.10	RL27FYU3YS10054	GW5-D5/D8
4	PC PAINT	PEPPERDUST	DA 2.10	RL27FYU3YS10084	GZ1
4	PC PAINT	PEPPERDUST	DA 2.10	RL27FYU3YS10054	GZ2
4	PC PAINT	PEPPERDUST	DA 2.10	RL27FYU3YS10054	GZ3
4	PC PAINT	PEPPERDUST	DA 2.10	RL27FYU3YS00054	HVN01
4	PC PAINT	PEPPERDUST	DA 2.10	RL27FYU3YS00054	I2L02
4	PC PAINT	PEPPERDUST	DA 2.10	RL27FYU3YS10080	I2L09-D7
4	PC PAINT	PEPPERDUST	DA 2.10	RL27FYU3YS10054	I2L12
4	PC PAINT	PEPPERDUST	DA 2.10	RL27FYU3YS10054	I2L14
4	PC PAINT	PEPPERDUST	DA 2.10	RL27FYU3YS10054	I2L16
4	PC PAINT	PEPPERDUST	DA 2.10	RL27FYU3YS10054	I2L18
4	PC PAINT	PEPPERDUST	DA 2.10	RL27FYU3YS10054	I2L19
4	PC PAINT	PEPPERDUST	DA 2.10	RL27FYU3YS10054	I2L22
4	PC PAINT	PEPPERDUST	DA 2.10	RL27FYU3YS10054	I2L23
4	PC PAINT	PEPPERDUST	DA 2.10	RL27FYU3YS10054	I2L25
4	PC PAINT	PEPPERDUST	DA 2.10	RL27FYU3YS10054	I2L26
4	PC PAINT	PEPPERDUST	DA 2.10	RL27FYU3YS10054	I2L28
4	PC PAINT	PEPPERDUST	DA 2.10	RL27FYU3YS10054	I2L29
4	PC PAINT	PEPPERDUST	DA 2.10	RL27FYU3YS10054	I2L30
4	PC PAINT	PEPPERDUST	DA 2.10	RL27FYU3YS10054	I2L34
4	PC PAINT	PEPPERDUST	DA 2.10	RL47FYF3YS10077	IB03
4	PC PAINT	PEPPERDUST	DA 2.10	RL47FYF3YS10077	IB04
4	PC PAINT	PEPPERDUST	DA 2.10	RL47FYU3YS10077	IB3-D20
4	PC PAINT	PEPPERDUST	DA 2.10	RL47FYU3YS10077	IB4-D3 and on
4	PC PAINT	PEPPERDUST	DA 2.10	RL47FYU3YS10077	IBE04-D9 and on
4	PC PAINT	PEPPERDUST	DA 2.10	RL47FYU3YS10077	IBE05
4	PC PAINT	PEPPERDUST	DA 2.10	RL27FYU3YS10054	IBE06
4	PC PAINT	PEPPERDUST	DA 2.10	RL27FYU3YS10054	IBE07-D1 and on
4	PC PAINT	PEPPERDUST	DA 2.10	RL27FYU3YS10054	IBE07-D7 and on

**Zodiac Seats France**  
**COMPONENT MAINTENANCE MANUAL**  
**RL-SERIES**

ITEM	MATERI-AL	COLOR	REFERENCE	PART NUMBERS	COMPANY
4	PC PAINT	PEPPERDUST	DA 2.10	RL27FYU3YS10054	IBE08-D1 and on
4	PC PAINT	BEIGE ERITREA	DA 3.17	RL47FYA3YS00001	IT1
4	PC PAINT	BEIGE ERITREA	DA 3.17	RL47FYT3YS00001	IT1
4	PC PAINT	PEPPERDUST	DA 2.10	RL27FYU3YS10080	J3K01-D19 and on
4	PC PAINT	PEPPERDUST	DA 2.10	RL27FYF3YS00080	JF01
4	PC PAINT	PEPPERDUST	DA 2.10	RL27FYU3YS10080	JF01-D5
4	PC PAINT	PEPPERDUST	DA 2.10	RL27FYF3YS00054	JG1
4	PC PAINT	PEPPERDUST	DA 2.10	RL27FYF3YS10054	JK1
4	PC PAINT	PEPPERDUST	DA 2.10	RL27FYU3YS10054	JK1-D2
4	PC PAINT	PEPPERDUST	DA 2.10	RL27FYU3YS10054	JK2
4	PC PAINT	PEPPERDUST	DA 2.10	RL27FYU3YS10054	JKK02-D5
4	PC PAINT	PEPPERDUST	DA 2.10	RL47FYF31S00057	KA1
4	PC PAINT	PEPPERDUST	DA 2.10	RL47FYF31S10057	KA1-D2
4	PC PAINT	DOVE GREY	DA 2.18	RL27FYF3YS00069	KF1
4	PC PAINT	PEPPERDUST	DA 2.10	RL27FYU3YS10054	KFR03
4	PC PAINT	PEPPERDUST	DA 2.10	RL27FYU3YS10054	KFR03-D2 and on
4	PC PAINT	PEPPERDUST	DA 2.10	RL27FYU3YS10054	KFR04
4	PC PAINT	PEPPERDUST	DA 2.10	RL27FYU3YS10054	KFR04-D6
4	PC PAINT	PEPPERDUST	DA 2.10	RL27FYF3YS00076	KK02
4	PC PAINT	SOFT GREY	DA 2.4	RL27FYF3YS10076	KK02-D3
4	PC PAINT	SOFT GREY	DA 2.4	RL27FYU3YS10076	KK02-D5
4	PC PAINT	PEPPERDUST	DA 2.10	RL27FYF3YS00076	KK1
4	PC PAINT	CONGER	DA 2.29	RL27FYU3YS00082	LA1
4	PC PAINT	CONGER	DA 2.29	RL27FYU3YS00082	LAN02
4	PC PAINT	QUARTZ GREY	DA 2.11	RL27FYF3YS10079	LH4
4	PC PAINT	QUARTZ GREY	DA 2.11	RL27FYU3YS10079	LH5
4	PC PAINT	PEPPERDUST	DA 2.10	RL27FYD3YS00044	LL1
4	PC PAINT	PEPPERDUST	DA 2.10	RL27FYS3YS00051	LL1-D7
4	PC PAINT	PEPPERDUST	DA 2.10	RL27FYD3YS00044	LL2
4	PC PAINT	PEPPERDUST	DA 2.10	RL27FYU3YS00054	LS1
4	PC PAINT	PEPPERDUST	DA 2.10	RL27FYU3YS10084	LTU01

**Zodiac Seats France**  
**COMPONENT MAINTENANCE MANUAL**  
**RL-SERIES**

ITEM	MATERIAL	COLOR	REFERENCE	PART NUMBERS	COMPANY
4	PC PAINT	PEPPERDUST	DA 2.10	RL27FYU3YS10084	LTU02
4	PC PAINT	PEPPERDUST	DA 2.10	RL27FYF3YS00054	LU01
4	PC PAINT	PEPPERDUST	DA 2.10	RL27FYF3YS00054	MI01
4	PC PAINT	PEPPERDUST	DA 2.10	RL27FYF3YS10054	MI2
4	PC PAINT	PEPPERDUST	DA 2.10	RL27FYU3YS00054	MK1
4	PC PAINT	PEPPERDUST	DA 2.10	RL27FYF3YS00054	MU1
4	PC PAINT	PEPPERDUST	DA 2.10	RL27FYU3YS00054	MU1-D4
4	PC PAINT	PEPPERDUST	DA 2.10	RL27FYU3YS10054	MXA02
4	PC PAINT	PEPPERDUST	DA 2.10	RL27FYU3YS10054	MXA03
4	PC PAINT	PEPPERDUST	DA 2.10	RL27FYU3YS10054	MXA04
4	PC PAINT	PEPPERDUST	DA 2.10	RL27FYU3YS10054	MXA05
4	PC PAINT	PEPPERDUST	DA 2.10	RL27FYF31S00058	NH2
4	PC PAINT	PEPPERDUST	DA 2.10	RL27FYF3YS00058	NH2
4	PC PAINT	QUARTZ GREY	DA 2.11	RL27FYF31S10059	NW2
4	PC PAINT	QUARTZ GREY	DA 2.11	RL27FYU31S10059	NW2-D21
4	PC PAINT	QUARTZ GREY	DA 2.11	RL27FYF31S10059	NW3
4	PC PAINT	QUARTZ GREY	DA 2.11	RL27FYU31S10059	NW3-D17 and on
4	PC PAINT	PEPPERDUST	DA 2.10	RL27FYF3YS00054	NX01
4	PC PAINT	PEPPERDUST	DA 2.10	RL47FYF3YS00054	OM01
4	PC PAINT	PEPPERDUST	DA 2.10	RL27FYF3YS00036	OS3
4	PC PAINT	PEPPERDUST	DA 2.10	RL27FYU3YS00036	OS4
4	PC PAINT	PEPPERDUST	DA 2.10	RL27FYB3YS00047	OU1
4	PC PAINT	PEPPERDUST	DA 2.10	RL27FYB3YS00047	OU2
4	PC PAINT	PEPPERDUST	DA 2.10	RL27FYD1YS00052	OZ1
4	PC PAINT	PEPPERDUST	DA 2.10	RL27FYF3YS00054	OZ2
4	PC PAINT	PEPPERDUST	DA 2.10	RL27FYU3YS00054	OZ2-D3 and on
4	PC PAINT	PEPPERDUST	DA 2.10	RL27FYU3YS00054	OZ3
4	PC PAINT	MOONSHADOW	DA 2.32	RL27FYF3YS00048	PR1
4	PC PAINT	TIN	DA 2.24	RL27FYU3YS00055	QR1
4	PC PAINT	TIN	DA 2.24	RL27FYU3YS00055	QTR02
4	PC PAINT	PEPPERDUST	DA 2.10	RL27FYU3YS10054	RAM01
4	PC PAINT	PEPPERDUST	DA 2.10	RL27FYU3YS10054	RAM01-D4 and on

**Zodiac Seats France**  
**COMPONENT MAINTENANCE MANUAL**  
**RL-SERIES**

ITEM	MATERIAL	COLOR	REFERENCE	PART NUMBERS	COMPANY
4	PC PAINT	DOVE GREY	DA 2.18	RL47FYF3YS00067	RB1
4	PC PAINT	PEPPERDUST	DA 2.10	RL27FYU3YS10054	S2A09
4	PC PAINT	TIN	DA 2.24	RL27FYU3YS00055	S2A10
4	PC PAINT	TIN	DA 2.24	RL27FYU3YS00055	S2A11-D3 and on
4	PC PAINT	PEPPERDUST	DA 2.10	RL27FYF3YS00074	SN03
4	PC PAINT	PEPPERDUST	DA 2.10	RL27FYF3YS00074	SN1
4	PC PAINT	PEPPERDUST	DA 2.10	RL27FYF3YS00074	SN2
4	PC PAINT	PEPPERDUST	DA 2.10	RL27FYU3YS00074	SN2-D14 and on
4	PC PAINT	PEPPERDUST	DA 2.10	RL27FYU3YS00054	SN2-D16/D17
4	PC PAINT	PEPPERDUST	DA 2.10	RL27FYU3YS00054	SN2-G8E/MX
4	PC PAINT	PEPPERDUST	DA 2.10	RL27FYU3YS00074	SN3-D3 and on
4	PC PAINT	FOG	DA 2.16	RL27FYF4YS00049	TA2
4	PC PAINT	FOG	DA 2.16	RL27FYF4YS10049	TA3
4	PC PAINT	FOG	DA 2.16	RL27FYF4YS10049	TA4
4	PC PAINT	FOG	DA 2.16	RL27FYF4YS10049	TAI06-D1 and on
4	PC PAINT	SOFT GREY	DA 2.4	RL27FYU3YS10076	TAM01-D7
4	PC PAINT	SOFT GREY	DA 2.4	RL27FYU3YS10076	TAM03-D1 and on
4	PC PAINT	SOFT GREY	DA 2.4	RL27FYU3YS10076	TAM04
4	PC PAINT	PEPPERDUST	DA 2.10	RL27FYU3YS00054	TGW01
4	PC PAINT	PEPPERDUST	DA 2.10	RL27FYS3YS00051	TP02
4	PC PAINT	PEPPERDUST	DA 2.10	RL27FYS3YS00051	TP03
4	PC PAINT	PEPPERDUST	DA 2.10	RL27FYS3YS00051	TP1
4	PC PAINT	PEPPERDUST	DA 2.10	RL27FYD3YS00062	TU03
4	PC PAINT	PEPPERDUST	DA 2.10	RL27FYD3YS00062	TU2
4	PC PAINT	PEPPERDUST	AIC 2.10	RL27FYU3YS00041	US SEMI
4	PC PAINT	PEPPERDUST	DA 2.10	RL27FYF3YS00050	VX1
4	PC PAINT	PEPPERDUST	DA 2.10	RL27FYU3YS00054	VX2
4	PC PAINT	PEPPERDUST	DA 2.10	RL27FYF4YS00066	WE2
4	PC PAINT	PEPPERDUST	DA 2.10	RL27FYF4YS00066	WE3
4	PC PAINT	PEPPERDUST	DA 2.10	RL47FYF3YS00047	WH1

**Zodiac Seats France**  
**COMPONENT MAINTENANCE MANUAL**  
**RL-SERIES**

ITEM	MATERIAL	COLOR	REFERENCE	PART NUMBERS	COMPANY
4	PC PAINT	PEPPERDUST	DA 2.10	RL47FYU3YS00047	WH1-D12 and on
4	PC PAINT	TIN	DA 2.24	RL27FYF3YS00055	WS01
4	PC PAINT	PEPPERDUST	DA 2.10	RL27FYF3YS00080	WS01-D11
4	PC PAINT	PEPPERDUST	DA 2.10	RL27FYF3YS00080	WS01-D12
4	PC PAINT	PEPPERDUST	DA 2.10	RL47FYF3YS00054	WS03-D1
4	PC PAINT	PEPPERDUST	DA 2.10	RL27FYU3YS00074	WS06
4	PC PAINT	PEPPERDUST	DA 2.10	RL27FYF3YS10054	WS4-D1
4	PC PAINT	TIN	DA 2.24	RL27FYU3YS00055	WS5
4	PC PAINT	PEPPERDUST	DA 2.10	RL27FYU3YS00047	WS7
4	PC PAINT	PEPPERDUST	DA 2.10	RL27FYF3YS00061	XF04
4	PC PAINT	PEPPERDUST	DA 2.10	RL47FYF31S00057	XF04-D9
4	PC PAINT	PEPPERDUST	DA 2.10	RL47FYF3YS10077	XF08
4	PC PAINT	PEPPERDUST	DA 2.10	RL27FYU3YS10080	XF09-D3
4	PC PAINT	PEPPERDUST	DA 2.10	RL27FYB3YS00047	XF1
4	PC PAINT	PEPPERDUST	DA 2.10	RL27FYU3YS10054	XF10
4	PC PAINT	PEPPERDUST	DA 2.10	RL47FYF31S00057	XF5-D1
4	PC PAINT	PEPPERDUST	DA 2.10	RL47FYF3YS00054	XF5-D10
4	PC PAINT	PEPPERDUST	DA 2.10	RL27FYF3YS00054	XF5-D2
4	PC PAINT	PEPPERDUST	DA 2.10	RL47FYF31S00057	XF5-D3
4	PC PAINT	PEPPERDUST	DA 2.10	RL27FYF3YS00054	XF5-D4
4	PC PAINT	PEPPERDUST	DA 2.10	RL47FYF31S00057	XF5-D7
4	PC PAINT	PEPPERDUST	DA 2.10	RL27FYF4YS10066	XF6
4	PC PAINT	PEPPERDUST	DA 2.10	RL27FYF4YS00066	XF7-D1
4	PC PAINT	PEPPERDUST	DA 2.10	RL47FYU3YS10077	XF8-D4
4	PC PAINT	PEPPERDUST	DA 2.10	RL27FYF3YS10080	XF9
4	PC PAINT	QUARTZ GREY	DA 2.11	RL47FYA3YS00099	XP1
4	PC PAINT	QUARTZ GREY	DA 2.11	RL47FYT3YS00099	XP1
4	PC PAINT	PEPPERDUST	DA 2.10	RL27FYU3YS00054	XY01
4	PC PAINT	PEPPERDUST	DA 2.10	RL27FYF3YS00054	XY1
4	PC PAINT	PEPPERDUST	DA 2.10	RL27FYU3YS00054	XY2
4	PC PAINT	PEPPERDUST	DA 2.10	RL27FYU3YS10084	XY3
4	PC PAINT	PEPPERDUST	DA 2.10	RL27FYU3YS00054	XY6
4	PC PAINT	TAN	DA 3.13	RL47FYB3YS00085	XZ1

**Zodiac Seats France**  
**COMPONENT MAINTENANCE MANUAL**  
**RL-SERIES**

ITEM	MATERIAL	COLOR	REFERENCE	PART NUMBERS	COMPANY
4	PC PAINT	TAN	DA 3.13	RL47FYU3YS00085	XZ1
4	PC PAINT	PEPPERDUST	DA 2.10	RL47FYB3YS00009	XZ3
4	PC PAINT	PEPPERDUST	DA 2.10	RL47FYU3YS00009	XZ3
4	PC PAINT	PEPPERDUST	DA 2.10	RL47FYF3YS00047	ZZ01
4	PC PAINT	PEPPERDUST	DA 2.10	RL47FYA3YS00046	ZZ1
4	PC PAINT	PEPPERDUST	DA 2.10	RL47FYT3YS00046	ZZ1
5	PC	GREY	DA 2.9	RL27FYU3YS10054	10X01
5	PC	GREY	DA 2.9	RL27FYU3YS10054	10X02
5	PC	GREY	DA 2.9	RL27FYU3YS10054	87Z01
5	PC	GREY	DA 2.9	RL27FYU3YS10054	89Y01
5	PC	GREY	DA 2.9	RL27FYU3YS10054	AAR02-D4
5	PC	GREY	DA 2.9	RL27FYU3YS10054	AAR04-D1
5	PC	GREY	DA 2.9	RL27FYU3YS10054	AAR06-D1 and on
5	PC	GREY	DA 2.9	RL27FYU3YS10054	ABY01
5	PC	LIGHT GREY	DA 2.1	RL47FYD3YS30071	AF2-D5 and on
5	PC	LIGHT GREY	DA 2.1	RL47FYD3YS30071	AF2-D6 and on
5	PC	GREY	DA 2.9	RL47FYD3YS10071	AF3-D14
5	PC	GREY	DA 2.9	RL47FYD3YS00071	AF3-D14 and on
5	PC	GREY	DA 2.9	RL47FYD3YS10071	AF3-D15
5	PC	LIGHT GREY	DA 2.1	RL47FYD3YS30071	AF3-D18
5	PC	LIGHT GREY	DA 2.1	RL47FYD3YS30071	AF3-D18/D1 9/D21/ D24-D26/D2 8-D30
5	PC	LIGHT GREY	DA 2.1	RL47FYD3YS30071	AF3-D19
5	PC	LIGHT GREY	DA 2.1	RL47FYD3YS30071	AF3-D21
5	PC	GREY	DA 2.9	RL47FYD3YS00071	AF3-D8
5	PC	LIGHT GREY	DA 2.1	RL47FYD3YS30071	AF5
5	PC	GREY	DA 2.9	RL27FYU3YS10054	AFL01
5	PC	GREY	DA 2.9	RL27FYU3YS10054	AFL02
5	PC	GREY	DA 2.9	RL27FYU3YS10054	AFL03
5	PC	GREY	DA 2.9	RL27FYU3YS10054	AFL04

**Zodiac Seats France**  
**COMPONENT MAINTENANCE MANUAL**  
**RL-SERIES**

ITEM	MATERIAL	COLOR	REFERENCE	PART NUMBERS	COMPANY
5	PC	LIGHT GREY	DA 2.1	RL47FYD3YS30071	AFR05/AFR07/ AFR10
5	PC	LIGHT GREY	DA 2.1	RL47FYD3YS30071	AFR06
5	PC	LIGHT GREY	DA 2.1	RL47FYD3YS30071	AFR09
5	PC	LIGHT GREY	DA 2.1	RL47FYD3YS30071	AFR11
5	PC	LIGHT GREY	DA 2.1	RL47FYD3YS30071	AFR12
5	PC	LIGHT GREY	DA 2.1	RL47FYD3YS30071	AFR13
5	PC	LIGHT GREY	DA 2.1	RL47FYD3YS30071	AFR14 and on
5	PC	LIGHT GREY	DA 2.1	RL47FYD3YS30071	AFR15-D1 and on
5	PC	LIGHT GREY	DA 2.1	RL47FYD3YS30071	AFR16-D1 and on
5	PC	GREY	DA 2.9	RL27FYU3YS10054	AMM01-D4
5	PC	GREY	DA 2.9	RL27FYU3YS10054	AMM02
5	PC	GREY	DA 2.9	RL27FYF4YS10066	AWE02-D31
5	PC	GREY	DA 2.9	RL27FYF4YS10066	AWE03-D23 /D24
5	PC	GREY	DA 2.9	RL27FYU3YS10054	B2A02-D7,D9
5	PC	GREY	DA 2.9	RL27FYF3YS10054	BA1
5	PC	GREY	DA 2.9	RL27FYU3YS10054	BA1-D16 and on
5	PC	GREY	DA 2.9	RL27FYU3YS10054	BA2
5	PC	GREY	DA 2.9	RL27FYU3YS10054	BA3
5	PC	GREY	DA 2.9	RL27FYU3YS10054	BA4
5	PC	GREY	DA 2.9	RL27FYU3YS10054	BA5
5	PC	GREY	DA 2.9	RL27FYU3YS10054	BAW06
5	PC	GREY	DA 2.9	RL27FYU3YS10054	BAW08
5	PC	GREY	DA 2.9	RL27FYU3YS10054	BAW10
5	PC	GREY	DA 2.9	RL47FYU3YS10047	BD2-D5 and on
5	PC	GREY	DA 2.9	RL27FYU3YS10054	BLR01
5	PC	GREY	DA 2.9	RL47FYU3YS10047	BMA04
5	PC	GREY	DA 2.9	RL47FYU3YS10047	BMA04-D4 and on
5	PC	GREY	DA 2.9	RL27FYU3YS10054	C9G09
5	PC	GREY	DA 2.9	RL27FYU3YS10054	C9G11

**Zodiac Seats France**  
**COMPONENT MAINTENANCE MANUAL**  
**RL-SERIES**

ITEM	MATERI-AL	COLOR	REFERENCE	PART NUMBERS	COMPANY
5	PC	GREY	DA 2.9	RL27FYU3YS10054	C9G14
5	PC	GREY	DA 2.9	RL27FYU3YS10054	C9G16
5	PC	GREY	DA 2.9	RL27FYU3YS10054	C9G18
5	PC	GREY	DA 2.9	RL27FYU3YS10054	C9G20/CIT
5	PC	GREY	DA 2.9	RL27FYU3YS10054	CES02-D11 /D12/ D13
5	PC	GREY	DA 2.9	RL27FYU3YS10054	CES03
5	PC	GREY	DA 2.9	RL27FYU3YS10056	CFG02
5	PC	GREY	DA 2.9	RL27FYU3YS10054	D2F01
5	PC	GREY	DA 2.9	RL27FYU3YS10054	D2F02
5	PC	GREY	DA 2.9	RL27FYU3YS10054	D2F02
5	PC	GREY	DA 2.9	RL27FYU3YS10054	D2F04
5	PC	GREY	DA 2.9	RL27FYU3YS10054	D2F05
5	PC	GREY	DA 2.9	RL27FYF31S00056	DE1
5	PC	GREY	DA 2.9	RL27FYU3YS10056	DE1-D9 and on
5	PC	GREY	DA 2.9	RL27FYU3YS10054	DKH01
5	PC	GREY	AIC 2.9	RL27FYU3YS10054	DKH02-D1 and on
5	PC	GREY	DA 2.9	RL27FYU3YS10054	DKN01-D16 and on
5	PC	GREY	DA 2.9	RL27FYU3YS10054	DKN02
5	PC	FOG	AIC 2.16	RL47FYF31S10S05	Dragon Air
5	PC	GREY	DA 2.9	RL27FYU3YS10054	DXH01
5	PC	GREY	DA 2.9	RL27FYU3YS10054	EIN04
5	PC	GREY	DA 2.9	RL27FYU3YS10054	EIN05
5	PC	GREY	DA 2.9	RL27FYU3YS10054	FFT01-D14/D 15/D16
5	PC	GREY	DA 2.9	RL27FYU3YS10054	FFT02
5	PC	GREY	DA 2.9	RL27FYU3YS10054	FN1
5	PC	GREY	DA 2.9	RL27FYU3YS10054	G2X04
5	PC	GREY	DA 2.9	RL27FYU3YS10054	G8E03-D20 /D21
5	PC	GREY	DA 2.9	RL27FYU3YS10054	G8E05-D11/D 12/D15 and on

**Zodiac Seats France**  
**COMPONENT MAINTENANCE MANUAL**  
**RL-SERIES**

ITEM	MATERIAL	COLOR	REFERENCE	PART NUMBERS	COMPANY
5	PC	GREY	DA 2.9	RL27FYU3YS10054	G8E07
5	PC	GREY	DA 2.9	RL27FYU3YS10054	G8E09
5	PC	GREY	DA 2.9	RL27FYU3YS10054	G8E10
5	PC	GREY	DA 2.9	RL27FYU3YS10054	G8E11
5	PC	GREY	DA 2.9	RL27FYU3YS10054	G8E12
5	PC	GREY	DA 2.9	RL27FYU3YS10054	GW5-D5/D8
5	PC	GREY	DA 2.9	RL27FYU3YS10054	GZ2
5	PC	GREY	DA 2.9	RL27FYU3YS10054	GZ3
5	PC	GREY	DA 2.9	RL27FYU3YS10080	I2L09-D7
5	PC	GREY	DA 2.9	RL27FYU3YS10054	I2L12
5	PC	GREY	DA 2.9	RL27FYU3YS10054	I2L14
5	PC	GREY	DA 2.9	RL27FYU3YS10054	I2L16
5	PC	GREY	DA 2.9	RL27FYU3YS10054	I2L18
5	PC	GREY	DA 2.9	RL27FYU3YS10054	I2L19
5	PC	GREY	DA 2.9	RL27FYU3YS10054	I2L22
5	PC	GREY	DA 2.9	RL27FYU3YS10054	I2L23
5	PC	GREY	DA 2.9	RL27FYU3YS10054	I2L25
5	PC	GREY	DA 2.9	RL27FYU3YS10054	I2L26
5	PC	GREY	DA 2.9	RL27FYU3YS10054	I2L28
5	PC	GREY	DA 2.9	RL27FYU3YS10054	I2L29
5	PC	GREY	DA 2.9	RL27FYU3YS10054	I2L30
5	PC	GREY	DA 2.9	RL27FYU3YS10054	I2L34
5	PC	GREY	DA 2.9	RL27FYU3YS10054	IBE06
5	PC	GREY	DA 2.9	RL27FYU3YS10054	IBE07-D1 and on
5	PC	GREY	DA 2.9	RL27FYU3YS10054	IBE07-D7 and on
5	PC	GREY	DA 2.9	RL27FYU3YS10054	IBE08-D1 and on
5	PC	GREY	DA 2.9	RL27FYU3YS10080	J3K01-D19 and on
5	PC	GREY	DA 2.9	RL27FYU3YS10080	JF01-D5
5	PC	GREY	DA 2.9	RL27FYF3YS10054	JK1
5	PC	GREY	DA 2.9	RL27FYU3YS10054	JK1-D2
5	PC	GREY	DA 2.9	RL27FYU3YS10054	JK2

**Zodiac Seats France**  
**COMPONENT MAINTENANCE MANUAL**  
**RL-SERIES**

ITEM	MATERI-AL	COLOR	REFERENCE	PART NUMBERS	COMPANY
5	PC	GREY	DA 2.9	RL27FYU3YS10054	JKK02-D5
5	PC	GREY	AIC 2.9	RL47FYF31S10057	KA1-D2
5	PC	GREY	DA 2.9	RL27FYU3YS10054	KFR03
5	PC	GREY	DA 2.9	RL27FYU3YS10054	KFR03-D2 and on
5	PC	GREY	DA 2.9	RL27FYU3YS10054	KFR04
5	PC	GREY	DA 2.9	RL27FYU3YS10054	KFR04-D6
5	PC	GREY	DA 2.9	RL27FYF3YS10076	KK02-D3
5	PC	GREY	DA 2.9	RL27FYU3YS10076	KK02-D5
5	PC	GREY	DA 2.9	RL27FYF3YS10079	LH4
5	PC	GREY	DA 2.9	RL27FYU3YS10079	LH5
5	PC	GREY	DA 2.9	RL27FYS3YS00051	LL1-D7
5	PC	GREY	DA 2.9	RL27FYF3YS10054	MI2
5	PC	GREY	DA 2.9	RL27FYU3YS10054	MXA02
5	PC	GREY	DA 2.9	RL27FYU3YS10054	MXA03
5	PC	GREY	DA 2.9	RL27FYU3YS10054	MXA04
5	PC	GREY	DA 2.9	RL27FYU3YS10054	MXA05
5	PC	GREY	DA 2.9	RL27FYF31S10059	NW2
5	PC	GREY	DA 2.9	RL27FYU31S10059	NW2-D21
5	PC	GREY	DA 2.9	RL27FYF31S10059	NW3
5	PC	GREY	DA 2.9	RL27FYU31S10059	NW3-D17 and on
5	PC	GREY	DA 2.9	RL27FYU3YS10054	RAM01
5	PC	GREY	DA 2.9	RL27FYU3YS10054	RAM01-D4 and on
5	PC	GREY	DA 2.9	RL27FYU3YS10054	S2A09
5	PC	GREY	DA 2.9	RL27FYF4YS10049	TA3
5	PC	GREY	DA 2.9	RL27FYF4YS10049	TA4
5	PC	GREY	DA 2.9	RL27FYF4YS10049	TAI06-D1 and on
5	PC	GREY	DA 2.9	RL27FYU3YS10076	TAM01-D7
5	PC	GREY	DA 2.9	RL27FYU3YS10076	TAM03-D1 and on
5	PC	GREY	DA 2.9	RL27FYU3YS10076	TAM04
5	PC	GREY	DA 2.9	RL27FYS3YS00051	TP02

**Zodiac Seats France**  
**COMPONENT MAINTENANCE MANUAL**  
**RL-SERIES**

ITEM	MATERIAL	COLOR	REFERENCE	PART NUMBERS	COMPANY
5	PC	GREY	DA 2.9	RL27FYS3YS00051	TP03
5	PC	GREY	DA 2.9	RL27FYS3YS00051	TP1
5	PC	GREY	DA 2.9	RL27FYF3YS10054	WS4-D1
5	PC	GREY	DA 2.9	RL27FYU3YS10080	XF09-D3
5	PC	GREY	DA 2.9	RL27FYU3YS10054	XF10
5	PC	GREY	DA 2.9	RL27FYF4YS10066	XF6
5	PC	GREY	DA 2.9	RL27FYF3YS10080	XF9
6	PC	GREY	DA 2.9	RL27FYU3YS10054	10X01
6	PC	GREY	DA 2.9	RL27FYU3YS10054	10X02
6	PC	GREY	DA 2.9	RL27FYU3YS10054	87Z01
6	PC	GREY	DA 2.9	RL27FYU3YS10054	89Y01
6	PC	GREY	DA 2.9	RL27FYU3YS10054	AAR02-D4
6	PC	GREY	DA 2.9	RL27FYU3YS10054	AAR04-D1
6	PC	GREY	DA 2.9	RL27FYU3YS10054	AAR06-D1 and on
6	PC	GREY	DA 2.9	RL27FYU3YS10054	ABY01
6	PC	LIGHT GREY	DA 2.1	RL47FYD3YS30071	AF2-D5 and on
6	PC	LIGHT GREY	DA 2.1	RL47FYD3YS30071	AF2-D6 and on
6	PC	GREY	DA 2.9	RL47FYD3YS10071	AF3-D14
6	PC	GREY	DA 2.9	RL47FYD3YS00071	AF3-D14 and on
6	PC	GREY	DA 2.9	RL47FYD3YS10071	AF3-D15
6	PC	LIGHT GREY	DA 2.1	RL47FYD3YS30071	AF3-D18
6	PC	LIGHT GREY	DA 2.1	RL47FYD3YS30071	AF3-D18/D1 9/D21/ D24-D26/D2 8-D30
6	PC	LIGHT GREY	DA 2.1	RL47FYD3YS30071	AF3-D19
6	PC	LIGHT GREY	DA 2.1	RL47FYD3YS30071	AF3-D21
6	PC	GREY	DA 2.9	RL47FYD3YS00071	AF3-D8
6	PC	LIGHT GREY	DA 2.1	RL47FYD3YS30071	AF5
6	PC	GREY	DA 2.9	RL27FYU3YS10054	AFL01
6	PC	GREY	DA 2.9	RL27FYU3YS10054	AFL02
6	PC	GREY	DA 2.9	RL27FYU3YS10054	AFL03
6	PC	GREY	DA 2.9	RL27FYU3YS10054	AFL04

**Zodiac Seats France**  
**COMPONENT MAINTENANCE MANUAL**  
**RL-SERIES**

ITEM	MATERI-AL	COLOR	REFERENCE	PART NUMBERS	COMPANY
6	PC	LIGHT GREY	DA 2.1	RL47FYD3YS30071	AFR05/AFR07/ AFR10
6	PC	LIGHT GREY	DA 2.1	RL47FYD3YS30071	AFR06
6	PC	LIGHT GREY	DA 2.1	RL47FYD3YS30071	AFR09
6	PC	LIGHT GREY	DA 2.1	RL47FYD3YS30071	AFR11
6	PC	LIGHT GREY	DA 2.1	RL47FYD3YS30071	AFR12
6	PC	LIGHT GREY	DA 2.1	RL47FYD3YS30071	AFR13
6	PC	LIGHT GREY	DA 2.1	RL47FYD3YS30071	AFR14 and on
6	PC	LIGHT GREY	DA 2.1	RL47FYD3YS30071	AFR15-D1 and on
6	PC	LIGHT GREY	DA 2.1	RL47FYD3YS30071	AFR16-D1 and on
6	PC	GREY	DA 2.9	RL27FYU3YS10054	AMM01-D4
6	PC	GREY	DA 2.9	RL27FYU3YS10054	AMM02
6	PC	GREY	DA 2.9	RL27FYF4YS10066	AWE02-D31
6	PC	GREY	DA 2.9	RL27FYF4YS10066	AWE03-D23 /D24
6	PC	GREY	DA 2.9	RL27FYU3YS10054	B2A02-D7,D9
6	PC	GREY	DA 2.9	RL27FYF3YS10054	BA1
6	PC	GREY	DA 2.9	RL27FYU3YS10054	BA1-D16 and on
6	PC	GREY	DA 2.9	RL27FYU3YS10054	BA2
6	PC	GREY	DA 2.9	RL27FYU3YS10054	BA3
6	PC	GREY	DA 2.9	RL27FYU3YS10054	BA4
6	PC	GREY	DA 2.9	RL27FYU3YS10054	BA5
6	PC	GREY	DA 2.9	RL27FYU3YS10054	BAW06
6	PC	GREY	DA 2.9	RL27FYU3YS10054	BAW08
6	PC	GREY	DA 2.9	RL27FYU3YS10054	BAW10
6	PC	GREY	DA 2.9	RL47FYU3YS10047	BD2-D5 and on
6	PC	GREY	DA 2.9	RL27FYU3YS10054	BLR01
6	PC	GREY	DA 2.9	RL47FYU3YS10047	BMA04
6	PC	GREY	DA 2.9	RL47FYU3YS10047	BMA04-D4 and on
6	PC	GREY	DA 2.9	RL27FYU3YS10054	C9G09
6	PC	GREY	DA 2.9	RL27FYU3YS10054	C9G11

**Zodiac Seats France**  
**COMPONENT MAINTENANCE MANUAL**  
**RL-SERIES**

ITEM	MATERIAL	COLOR	REFERENCE	PART NUMBERS	COMPANY
6	PC	GREY	DA 2.9	RL27FYU3YS10054	C9G14
6	PC	GREY	DA 2.9	RL27FYU3YS10054	C9G16
6	PC	GREY	DA 2.9	RL27FYU3YS10054	C9G18
6	PC	GREY	DA 2.9	RL27FYU3YS10054	C9G20/CIT
6	PC	GREY	DA 2.9	RL27FYU3YS10054	CES02-D11 /D12/ D13
6	PC	GREY	DA 2.9	RL27FYU3YS10054	CES03
6	PC	GREY	DA 2.9	RL27FYU3YS10056	CFG02
6	PC	GREY	DA 2.9	RL27FYU3YS10054	D2F01
6	PC	GREY	DA 2.9	RL27FYU3YS10054	D2F02
6	PC	GREY	DA 2.9	RL27FYU3YS10054	D2F02
6	PC	GREY	DA 2.9	RL27FYU3YS10054	D2F04
6	PC	GREY	DA 2.9	RL27FYU3YS10054	D2F05
6	PC	GREY	DA 2.9	RL27FYF31S00056	DE1
6	PC	GREY	DA 2.9	RL27FYU3YS10056	DE1-D9 and on
6	PC	GREY	DA 2.9	RL27FYU3YS10054	DKH01
6	PC	GREY	AIC 2.9	RL27FYU3YS10054	DKH02-D1 and on
6	PC	GREY	DA 2.9	RL27FYU3YS10054	DKN01-D16 and on
6	PC	GREY	DA 2.9	RL27FYU3YS10054	DKN02
6	PC	FOG	AIC 2.16	RL47FYF31S10S05	Dragon Air
6	PC	GREY	DA 2.9	RL27FYU3YS10054	DXH01
6	PC	GREY	DA 2.9	RL27FYU3YS10054	EIN04
6	PC	GREY	DA 2.9	RL27FYU3YS10054	EIN05
6	PC	GREY	DA 2.9	RL27FYU3YS10054	FFT01-D14/D 15/D16
6	PC	GREY	DA 2.9	RL27FYU3YS10054	FFT02
6	PC	GREY	DA 2.9	RL27FYU3YS10054	FN1
6	PC	GREY	DA 2.9	RL27FYU3YS10054	G2X04
6	PC	GREY	DA 2.9	RL27FYU3YS10054	G8E03-D20 /D21
6	PC	GREY	DA 2.9	RL27FYU3YS10054	G8E05-D11/D 12/D15 and on

**Zodiac Seats France**  
**COMPONENT MAINTENANCE MANUAL**  
**RL-SERIES**

ITEM	MATERI-AL	COLOR	REFERENCE	PART NUMBERS	COMPANY
6	PC	GREY	DA 2.9	RL27FYU3YS10054	G8E07
6	PC	GREY	DA 2.9	RL27FYU3YS10054	G8E09
6	PC	GREY	DA 2.9	RL27FYU3YS10054	G8E10
6	PC	GREY	DA 2.9	RL27FYU3YS10054	G8E11
6	PC	GREY	DA 2.9	RL27FYU3YS10054	G8E12
6	PC	GREY	DA 2.9	RL27FYU3YS10054	GW5-D5/D8
6	PC	GREY	DA 2.9	RL27FYU3YS10054	GZ2
6	PC	GREY	DA 2.9	RL27FYU3YS10054	GZ3
6	PC	GREY	DA 2.9	RL27FYU3YS10080	I2L09-D7
6	PC	GREY	DA 2.9	RL27FYU3YS10054	I2L12
6	PC	GREY	DA 2.9	RL27FYU3YS10054	I2L14
6	PC	GREY	DA 2.9	RL27FYU3YS10054	I2L16
6	PC	GREY	DA 2.9	RL27FYU3YS10054	I2L18
6	PC	GREY	DA 2.9	RL27FYU3YS10054	I2L19
6	PC	GREY	DA 2.9	RL27FYU3YS10054	I2L22
6	PC	GREY	DA 2.9	RL27FYU3YS10054	I2L23
6	PC	GREY	DA 2.9	RL27FYU3YS10054	I2L25
6	PC	GREY	DA 2.9	RL27FYU3YS10054	I2L26
6	PC	GREY	DA 2.9	RL27FYU3YS10054	I2L28
6	PC	GREY	DA 2.9	RL27FYU3YS10054	I2L29
6	PC	GREY	DA 2.9	RL27FYU3YS10054	I2L30
6	PC	GREY	DA 2.9	RL27FYU3YS10054	I2L34
6	PC	GREY	DA 2.9	RL27FYU3YS10054	IBE06
6	PC	GREY	DA 2.9	RL27FYU3YS10054	IBE07-D1 and on
6	PC	GREY	DA 2.9	RL27FYU3YS10054	IBE07-D7 and on
6	PC	GREY	DA 2.9	RL27FYU3YS10054	IBE08-D1 and on
6	PC	GREY	DA 2.9	RL27FYU3YS10080	J3K01-D19 and on
6	PC	GREY	DA 2.9	RL27FYU3YS10080	JF01-D5
6	PC	GREY	DA 2.9	RL27FYF3YS10054	JK1
6	PC	GREY	DA 2.9	RL27FYU3YS10054	JK1-D2
6	PC	GREY	DA 2.9	RL27FYU3YS10054	JK2

**Zodiac Seats France**  
**COMPONENT MAINTENANCE MANUAL**  
**RL-SERIES**

ITEM	MATERIAL	COLOR	REFERENCE	PART NUMBERS	COMPANY
6	PC	GREY	DA 2.9	RL27FYU3YS10054	JKK02-D5
6	PC	GREY	AIC 2.9	RL47FYF31S10057	KA1-D2
6	PC	GREY	DA 2.9	RL27FYU3YS10054	KFR03
6	PC	GREY	DA 2.9	RL27FYU3YS10054	KFR03-D2 and on
6	PC	GREY	DA 2.9	RL27FYU3YS10054	KFR04
6	PC	GREY	DA 2.9	RL27FYU3YS10054	KFR04-D6
6	PC	GREY	DA 2.9	RL27FYF3YS10076	KK02-D3
6	PC	GREY	DA 2.9	RL27FYU3YS10076	KK02-D5
6	PC	GREY	DA 2.9	RL27FYF3YS10079	LH4
6	PC	GREY	DA 2.9	RL27FYU3YS10079	LH5
6	PC	GREY	DA 2.9	RL27FYS3YS00051	LL1-D7
6	PC	GREY	DA 2.9	RL27FYF3YS10054	MI2
6	PC	GREY	DA 2.9	RL27FYU3YS10054	MXA02
6	PC	GREY	DA 2.9	RL27FYU3YS10054	MXA03
6	PC	GREY	DA 2.9	RL27FYU3YS10054	MXA04
6	PC	GREY	DA 2.9	RL27FYU3YS10054	MXA05
6	PC	GREY	414 N3300-1C	RL27FYF31S10059	NW2
6	PC	GREY	DA 2.9	RL27FYU31S10059	NW2-D21
6	PC	GREY	414 N3300-1C	RL27FYF31S10059	NW3
6	PC	GREY	DA 2.9	RL27FYU31S10059	NW3-D17 and on
6	PC	GREY	DA 2.9	RL27FYU3YS10054	RAM01
6	PC	GREY	DA 2.9	RL27FYU3YS10054	RAM01-D4 and on
6	PC	GREY	DA 2.9	RL27FYU3YS10054	S2A09
6	PC	GREY	DA 2.9	RL27FYF4YS10049	TA3
6	PC	GREY	DA 2.9	RL27FYF4YS10049	TA4
6	PC	GREY	DA 2.9	RL27FYF4YS10049	TAI06-D1 and on
6	PC	GREY	DA 2.9	RL27FYU3YS10076	TAM01-D7
6	PC	GREY	DA 2.9	RL27FYU3YS10076	TAM03-D1 and on
6	PC	GREY	DA 2.9	RL27FYU3YS10076	TAM04
6	PC	GREY	DA 2.9	RL27FYS3YS00051	TP02

**Zodiac Seats France**  
**COMPONENT MAINTENANCE MANUAL**  
**RL-SERIES**

ITEM	MATERI-AL	COLOR	REFERENCE	PART NUMBERS	COMPANY
6	PC	GREY	DA 2.9	RL27FYS3YS00051	TP03
6	PC	GREY	DA 2.9	RL27FYS3YS00051	TP1
6	PC	GREY	DA 2.9	RL27FYF3YS10054	WS4-D1
6	PC	GREY	DA 2.9	RL27FYU3YS10080	XF09-D3
6	PC	GREY	DA 2.9	RL27FYU3YS10054	XF10
6	PC	GREY	DA 2.9	RL27FYF4YS10066	XF6
6	PC	GREY	DA 2.9	RL27FYF3YS10080	XF9
7	PC	GREY	DA 2.9	RL27FYU3YS10054	10X01
7	PC	GREY	DA 2.9	RL27FYU3YS10054	10X02
7	PC	GREY	DA 2.9	RL27FYU3YS10054	87Z01
7	PC	GREY	DA 2.9	RL27FYU3YS10054	89Y01
7	PC	GREY	DA 2.9	RL27FYU3YS10054	AAR02-D4
7	PC	GREY	DA 2.9	RL27FYU3YS10054	AAR04-D1
7	PC	GREY	DA 2.9	RL27FYU3YS10054	AAR06-D1 and on
7	PC	GREY	DA 2.9	RL27FYU3YS10054	ABY01
7	PC	LIGHT GREY	DA 2.1	RL47FYD3YS30071	AF2-D5 and on
7	PC	LIGHT GREY	DA 2.1	RL47FYD3YS30071	AF2-D6 and on
7	PC	GREY	DA 2.9	RL47FYD3YS10071	AF3-D14
7	PC	GREY	DA 2.9	RL47FYD3YS00071	AF3-D14 and on
7	PC	GREY	DA 2.9	RL47FYD3YS10071	AF3-D15
7	PC	LIGHT GREY	DA 2.1	RL47FYD3YS30071	AF3-D18
7	PC	LIGHT GREY	DA 2.1	RL47FYD3YS30071	AF3-D18/D1 9/D21/ D24-D26/D2 8-D30
7	PC	LIGHT GREY	DA 2.1	RL47FYD3YS30071	AF3-D19
7	PC	LIGHT GREY	DA 2.1	RL47FYD3YS30071	AF3-D21
7	PC	GREY	DA 2.9	RL47FYD3YS00071	AF3-D8
7	PC	LIGHT GREY	DA 2.1	RL47FYD3YS30071	AF5
7	PC	GREY	DA 2.9	RL27FYU3YS10054	AFL01
7	PC	GREY	DA 2.9	RL27FYU3YS10054	AFL02
7	PC	GREY	DA 2.9	RL27FYU3YS10054	AFL03
7	PC	GREY	DA 2.9	RL27FYU3YS10054	AFL04

**Zodiac Seats France**  
**COMPONENT MAINTENANCE MANUAL**  
**RL-SERIES**

ITEM	MATERIAL	COLOR	REFERENCE	PART NUMBERS	COMPANY
7	PC	LIGHT GREY	DA 2.1	RL47FYD3YS30071	AFR05/AFR07/ AFR10
7	PC	LIGHT GREY	DA 2.1	RL47FYD3YS30071	AFR06
7	PC	LIGHT GREY	DA 2.1	RL47FYD3YS30071	AFR09
7	PC	LIGHT GREY	DA 2.1	RL47FYD3YS30071	AFR11
7	PC	LIGHT GREY	DA 2.1	RL47FYD3YS30071	AFR12
7	PC	LIGHT GREY	DA 2.1	RL47FYD3YS30071	AFR13
7	PC	LIGHT GREY	DA 2.1	RL47FYD3YS30071	AFR14 and on
7	PC	LIGHT GREY	DA 2.1	RL47FYD3YS30071	AFR15-D1 and on
7	PC	LIGHT GREY	DA 2.1	RL47FYD3YS30071	AFR16-D1 and on
7	PC	GREY	DA 2.9	RL27FYU3YS10054	AMM01-D4
7	PC	GREY	DA 2.9	RL27FYU3YS10054	AMM02
7	PC	GREY	DA 2.9	RL27FYF4YS10066	AWE02-D31
7	PC	GREY	DA 2.9	RL27FYF4YS10066	AWE03-D23 /D24
7	PC	GREY	DA 2.9	RL27FYU3YS10054	B2A02-D7,D9
7	PC	GREY	DA 2.9	RL27FYF3YS10054	BA1
7	PC	GREY	DA 2.9	RL27FYU3YS10054	BA1-D16 and on
7	PC	GREY	DA 2.9	RL27FYU3YS10054	BA2
7	PC	GREY	DA 2.9	RL27FYU3YS10054	BA3
7	PC	GREY	DA 2.9	RL27FYU3YS10054	BA4
7	PC	GREY	DA 2.9	RL27FYU3YS10054	BA5
7	PC	GREY	DA 2.9	RL27FYU3YS10054	BAW06
7	PC	GREY	DA 2.9	RL27FYU3YS10054	BAW08
7	PC	GREY	DA 2.9	RL27FYU3YS10054	BAW10
7	PC	GREY	DA 2.9	RL47FYU3YS10047	BD2-D5 and on
7	PC	GREY	DA 2.9	RL27FYU3YS10054	BLR01
7	PC	GREY	DA 2.9	RL47FYU3YS10047	BMA04
7	PC	GREY	DA 2.9	RL47FYU3YS10047	BMA04-D4 and on
7	PC	GREY	DA 2.9	RL27FYU3YS10054	C9G09
7	PC	GREY	DA 2.9	RL27FYU3YS10054	C9G11

**Zodiac Seats France**  
**COMPONENT MAINTENANCE MANUAL**  
**RL-SERIES**

ITEM	MATERI-AL	COLOR	REFERENCE	PART NUMBERS	COMPANY
7	PC	GREY	DA 2.9	RL27FYU3YS10054	C9G14
7	PC	GREY	DA 2.9	RL27FYU3YS10054	C9G16
7	PC	GREY	DA 2.9	RL27FYU3YS10054	C9G18
7	PC	GREY	DA 2.9	RL27FYU3YS10054	C9G20/CIT
7	PC	GREY	DA 2.9	RL27FYU3YS10054	CES02-D11 /D12/ D13
7	PC	GREY	DA 2.9	RL27FYU3YS10054	CES03
7	PC	GREY	DA 2.9	RL27FYU3YS10056	CFG02
7	PC	GREY	DA 2.9	RL27FYU3YS10054	D2F01
7	PC	GREY	DA 2.9	RL27FYU3YS10054	D2F02
7	PC	GREY	DA 2.9	RL27FYU3YS10054	D2F02
7	PC	GREY	DA 2.9	RL27FYU3YS10054	D2F04
7	PC	GREY	DA 2.9	RL27FYU3YS10054	D2F05
7	PC	GREY	DA 2.9	RL27FYF31S00056	DE1
7	PC	GREY	DA 2.9	RL27FYU3YS10056	DE1-D9 and on
7	PC	GREY	DA 2.9	RL27FYU3YS10054	DKH01
7	PC	GREY	AIC 2.9	RL27FYU3YS10054	DKH02-D1 and on
7	PC	GREY	DA 2.9	RL27FYU3YS10054	DKN01-D16 and on
7	PC	GREY	DA 2.9	RL27FYU3YS10054	DKN02
7	PC	FOG	AIC 2.16	RL47FYF31S10S05	Dragon Air
7	PC	GREY	DA 2.9	RL27FYU3YS10054	DXH01
7	PC	GREY	DA 2.9	RL27FYU3YS10054	EIN04
7	PC	GREY	DA 2.9	RL27FYU3YS10054	EIN05
7	PC	GREY	DA 2.9	RL27FYU3YS10054	FFT01-D14/D 15/D16
7	PC	GREY	DA 2.9	RL27FYU3YS10054	FFT02
7	PC	GREY	DA 2.9	RL27FYU3YS10054	FN1
7	PC	GREY	DA 2.9	RL27FYU3YS10054	G2X04
7	PC	GREY	DA 2.9	RL27FYU3YS10054	G8E03-D20 /D21
7	PC	GREY	DA 2.9	RL27FYU3YS10054	G8E05-D11/D 12/D15 and on

**Zodiac Seats France**  
**COMPONENT MAINTENANCE MANUAL**  
**RL-SERIES**

ITEM	MATERIAL	COLOR	REFERENCE	PART NUMBERS	COMPANY
7	PC	GREY	DA 2.9	RL27FYU3YS10054	G8E07
7	PC	GREY	DA 2.9	RL27FYU3YS10054	G8E09
7	PC	GREY	DA 2.9	RL27FYU3YS10054	G8E10
7	PC	GREY	DA 2.9	RL27FYU3YS10054	G8E11
7	PC	GREY	DA 2.9	RL27FYU3YS10054	G8E12
7	PC	GREY	DA 2.9	RL27FYU3YS10054	GW5-D5/D8
7	PC	GREY	DA 2.9	RL27FYU3YS10054	GZ2
7	PC	GREY	DA 2.9	RL27FYU3YS10054	GZ3
7	PC	GREY	DA 2.9	RL27FYU3YS10080	I2L09-D7
7	PC	GREY	DA 2.9	RL27FYU3YS10054	I2L12
7	PC	GREY	DA 2.9	RL27FYU3YS10054	I2L14
7	PC	GREY	DA 2.9	RL27FYU3YS10054	I2L16
7	PC	GREY	DA 2.9	RL27FYU3YS10054	I2L18
7	PC	GREY	DA 2.9	RL27FYU3YS10054	I2L19
7	PC	GREY	DA 2.9	RL27FYU3YS10054	I2L22
7	PC	GREY	DA 2.9	RL27FYU3YS10054	I2L23
7	PC	GREY	DA 2.9	RL27FYU3YS10054	I2L25
7	PC	GREY	DA 2.9	RL27FYU3YS10054	I2L26
7	PC	GREY	DA 2.9	RL27FYU3YS10054	I2L28
7	PC	GREY	DA 2.9	RL27FYU3YS10054	I2L29
7	PC	GREY	DA 2.9	RL27FYU3YS10054	I2L30
7	PC	GREY	DA 2.9	RL27FYU3YS10054	I2L34
7	PC	GREY	DA 2.9	RL27FYU3YS10054	IBE06
7	PC	GREY	DA 2.9	RL27FYU3YS10054	IBE07-D1 and on
7	PC	GREY	DA 2.9	RL27FYU3YS10054	IBE07-D7 and on
7	PC	GREY	DA 2.9	RL27FYU3YS10054	IBE08-D1 and on
7	PC	GREY	DA 2.9	RL27FYU3YS10080	J3K01-D19 and on
7	PC	GREY	DA 2.9	RL27FYU3YS10080	JF01-D5
7	PC	GREY	DA 2.9	RL27FYF3YS10054	JK1
7	PC	GREY	DA 2.9	RL27FYU3YS10054	JK1-D2
7	PC	GREY	DA 2.9	RL27FYU3YS10054	JK2

**Zodiac Seats France**  
**COMPONENT MAINTENANCE MANUAL**  
**RL-SERIES**

ITEM	MATERI-AL	COLOR	REFERENCE	PART NUMBERS	COMPANY
7	PC	GREY	DA 2.9	RL27FYU3YS10054	JKK02-D5
7	PC	GREY	DA 2.9	RL47FYF31S10057	KA1-D2
7	PC	GREY	DA 2.9	RL27FYU3YS10054	KFR03
7	PC	GREY	DA 2.9	RL27FYU3YS10054	KFR03-D2 and on
7	PC	GREY	DA 2.9	RL27FYU3YS10054	KFR04
7	PC	GREY	DA 2.9	RL27FYU3YS10054	KFR04-D6
7	PC	GREY	DA 2.9	RL27FYF3YS10076	KK02-D3
7	PC	GREY	DA 2.9	RL27FYU3YS10076	KK02-D5
7	PC	GREY	DA 2.9	RL27FYF3YS10079	LH4
7	PC	GREY	DA 2.9	RL27FYU3YS10079	LH5
7	PC	GREY	DA 2.9	RL27FYS3YS00051	LL1-D7
7	PC	GREY	DA 2.9	RL27FYF3YS10054	MI2
7	PC	GREY	DA 2.9	RL27FYU3YS10054	MXA02
7	PC	GREY	DA 2.9	RL27FYU3YS10054	MXA03
7	PC	GREY	DA 2.9	RL27FYU3YS10054	MXA04
7	PC	GREY	DA 2.9	RL27FYU3YS10054	MXA05
7	PC	GREY	BAC 1522-382-7427	RL27FYF31S10059	NW2
7	PC	GREY	BAC 1522-382-7427	RL27FYU31S10059	NW2-D21
7	PC	GREY	BAC 1522-382-7427	RL27FYF31S10059	NW3
7	PC	GREY	BAC 1522-382-7427	RL27FYU31S10059	NW3-D17 and on
7	PC	GREY	DA 2.9	RL27FYU3YS10054	RAM01
7	PC	GREY	DA 2.9	RL27FYU3YS10054	RAM01-D4 and on
7	PC	GREY	DA 2.9	RL27FYU3YS10054	S2A09
7	PC	GREY	DA 2.9	RL27FYF4YS10049	TA3
7	PC	GREY	DA 2.9	RL27FYF4YS10049	TA4
7	PC	GREY	DA 2.9	RL27FYF4YS10049	TAI06-D1 and on
7	PC	GREY	DA 2.9	RL27FYU3YS10076	TAM01-D7
7	PC	GREY	DA 2.9	RL27FYU3YS10076	TAM03-D1 and on

**Zodiac Seats France**  
**COMPONENT MAINTENANCE MANUAL**  
**RL-SERIES**

ITEM	MATERIAL	COLOR	REFERENCE	PART NUMBERS	COMPANY
7	PC	GREY	DA 2.9	RL27FYU3YS10076	TAM04
7	PC	GREY	DA 2.9	RL27FYS3YS00051	TP02
7	PC	GREY	DA 2.9	RL27FYS3YS00051	TP03
7	PC	GREY	DA 2.9	RL27FYS3YS00051	TP1
7	PC	GREY	DA 2.9	RL27FYF3YS10054	WS4-D1
7	PC	GREY	DA 2.9	RL27FYU3YS10080	XF09-D3
7	PC	GREY	DA 2.9	RL27FYU3YS10054	XF10
7	PC	GREY	DA 2.9	RL27FYF4YS10066	XF6
7	PC	GREY	DA 2.9	RL27FYF3YS10080	XF9

Table 6004 / ASSEMBLY OF COLORS

**SUBTASK 25-11-79-350-009-A01**

(9) Colors codes

FINISHING P/N SEATS	PAINT COLOR	ZODIAC SEATS FRANCE PAINT CODE	UPHOLSTERY COLOR	ZODIAC SEATS FRANCE UPHOLSTERY CODE	RESTRAINT SYSTEM COLOR	ZODIAC SEATS FRANCE RESTRAINT CODE
SXX001	BEIGE ERITREA	P19	STEPPE	C51	TAN	R05
SXX002	BEIGE ERITREA	P19	STEPPE	C51	TAN	R05
SXX003	LIGHT GREY	P01	ATLANTIC 4500	C32	GREY	RXX
SXX004	GREY 429	P03	MARMOR ALPIN	C16	GREY	RXX
SXX005	LIGHT GREY	P01	ATLANTIC 4500	C32	DARK BLUE	R22
SXX006	QUARTZ GREY	P06	BUR-GUNDY 200	C64	DARK BLUE	R22
SXX007	SMOKE WHITE	P21	SAHARA	C04	TAN	R05
SXX008	PEPPER-DUST	P05	MARINE	C05	NAVY BLUE	R06
SXX009	PEPPER-DUST	P05	PEPPER-DUST	C06	PEPPER-DUST	R10
SXX010	GREY 429	P03	PARTIKEL ZINN	CXX	GREY	RXX

**Zodiac Seats France**  
**COMPONENT MAINTENANCE MANUAL**  
**RL-SERIES**

<b>FINISHING P/N SEATS</b>	<b>PAINT COLOR</b>	<b>ZODIAC SEATS FRANCE PAINT CODE</b>	<b>UPHOLSTERY COLOR</b>	<b>ZODIAC SEATS FRANCE UPHOLSTERY CODE</b>	<b>RESTRAINT SYSTEM COLOR</b>	<b>ZODIAC SEATS FRANCE RESTRAINT CODE</b>
SXX011	QUARTZ GREY	P06	PEPPER- DUST	C06	SHOULDER BELT: GREY LAP BELT:DARK GREY	RXX
SXX012	QUARTZ GREY	P06	ROYALE	C50	DARK BLUE	R22
SXX013	PEPPER- DUST	P05	CRAN- BERRY	C72	PEPPER- DUST	R10
SXX014	RAISIN	P22	HERRING BONE	CXX	RAISIN	R08
SXX015	PEPPER	P09	AMAZONE	C02	PEPPER- DUST	R10
SXX016	DOLPHIN	P11	GREY MOLE	C49	PEPPER- DUST	R10
SXX017	TAN	P18	BROWN	C29	BUR- GUNDY	R09
SXX018	PEPPER- DUST	P05	T135YC	C66	PEPPER- DUST	R10
SXX019	TAN	P18	MARINE	C05	DARK BLUE	R22
SXX020	TAN	P18	044	C73	TAN	R05
SXX021	GREY CLOUD	P04	GREY	C74	DARK GREY	R02
SXX022	PEPPER- DUST	P05	MARMOR	C75	PEPPER- DUST	R10
SXX023	PEPPER- DUST	P05	AMAZONE	C02	PEPPER- DUST	R10
SXX024	PEPPER- DUST	P05	GREY N°3	C12	PEPPER- DUST	R10
SXX025	QUARTZ GREY	P06	GREY	C52	PEPPER- DUST	R10
SXX026	GREY CLOUD	P04	BEIGE/ ST 42-904U	C67	PEPPER- DUST	R10
SXX027	PEPPER- DUST	P05	AMAZONE	C02	PEPPER- DUST	R10
SXX028	CREAM GREY	P07	OCHSEN- BLUT	C54	BUR- GUNDY	R09

**Zodiac Seats France**  
**COMPONENT MAINTENANCE MANUAL**  
**RL-SERIES**

<b>FINISHING P/N SEATS</b>	<b>PAINT COLOR</b>	<b>ZODIAC SEATS FRANCE PAINT CODE</b>	<b>UPHOLSTERY COLOR</b>	<b>ZODIAC SEATS FRANCE UPHOLSTERY CODE</b>	<b>RESTRAINT SYSTEM COLOR</b>	<b>ZODIAC SEATS FRANCE RESTRAINT CODE</b>
SXX029	QUARTZ GREY	P06	BUFFALO (BLUE GREY)	C20	NAVY BLUE	R06
SXX030	PEPPER- DUST	P05	44	C76	PEPPER- DUST	R10
SXX031	PEPPER- DUST	P05	44 DARK	C77	PEPPER- DUST	R10
SXX032	PEPPER- DUST	P05	AMAZONE	C02	DARK GREY	R02
SXX032	PEPPER- DUST	P05	401	C53	DARK GREY	R02
SXX033	QUARTZ- GREY (FRAME- )and PEP- PERDUST (SEAT PAN)	P06 and P05	DARK GREY NCS750 0LH	C19	DARK GREY	R02
SXX034	PEPPER- DUST	P05	COLOR 207	C71	PEPPER- DUST	R10
SXX035	DAWN BEIGE	P20	NEW GREY LEA 0001-36	C14	CHARCOAL GREY	R25
S00036	PEPPER- DUST	P05	PEPPER- DUST	C06	PEPPER- DUST	R10
SXX036	PEPPER- DUST	P05	VIENNA GREY	C08	PEPPER- DUST	R10
SXX037	PEPPER- DUST	P05	AMAZONE	C02	DARK GREY	R02
SXX038	PEPPER- DUST	P05	MARINE	C05	NAVY BLUE	R06
SXX038	PEPPER- DUST	P05	MARINE	C05	DARK GREY	R02
SXX039	PARASOL BEIGE	P17	LION	C15	TAN	R05
SXX040	GREY CLOUD	P04	-	C17	NAVY BLUE	R06
SXX041	PEPPER- DUST	P05	SUMMER FOREST SPRUCE	C26	NAVY BLUE	R06

**Zodiac Seats France**  
**COMPONENT MAINTENANCE MANUAL**  
**RL-SERIES**

<b>FINISHING P/N SEATS</b>	<b>PAINT COLOR</b>	<b>ZODIAC SEATS FRANCE PAINT CODE</b>	<b>UPHOLSTERY COLOR</b>	<b>ZODIAC SEATS FRANCE UPHOLSTERY CODE</b>	<b>RESTRAINT SYSTEM COLOR</b>	<b>ZODIAC SEATS FRANCE RESTRAINT CODE</b>
SXX042	GREY 429	P03	HOWE CONDOR JILIAN BLUE CBCJLB1	C18	GREY	RXX
SXX043	GREY 429	P03	HOWE CONDOR JILIAN BLUE CBCJLB1	C18	GREY	RXX
SXX044	PEPPER- DUST	P05	PEPPER- DUST	C06	STORM GREY	RXX
SXX045	GREY CLOUD	P04	GREY	C74	DARK GREY	R02
SXX046	PEPPER- DUST	P05	PEPPER- DUST	C06	PEPPER- DUST	R10
SXX047	PEPPER- DUST	P05	PEPPER- DUST	C06	PEPPER- DUST	R10
SXX048	MOON- SHADOW	P14	MOON VALLEY	C10	BLACK BLUE	R21
SXX049	FOG	P08	ASH GREY	C09	PEPPER- DUST	R10
SXX050	PEPPER- DUST	P05	44	C01	PEPPER- DUST	R10
SXX051	PEPPER- DUST	P05	PEPPER- DUST	C06	PEPPER- DUST	R10
SXX052	PEPPER- DUST	P05	PEPPER- DUST	C06	PEPPER- DUST	R10
SXX053	PEPPER- DUST	P05	GREY GRANITE	C03	DARK GREY	R10
SXX054	PEPPER- DUST	P05	PEPPER- DUST	C06	PEPPER- DUST	R10
SXX055	TIN	P12	ASH GREY	C09	SILVER GREY	R03
SXX056	PEPPER- DUST	P05	DARK GREY NCS750 0LH	C19	PEPPER- DUST	R10

**Zodiac Seats France**  
**COMPONENT MAINTENANCE MANUAL**  
**RL-SERIES**

<b>FINISHING P/N SEATS</b>	<b>PAINT COLOR</b>	<b>ZODIAC SEATS FRANCE PAINT CODE</b>	<b>UPHOLSTERY COLOR</b>	<b>ZODIAC SEATS FRANCE UPHOLSTERY CODE</b>	<b>RESTRAINT SYSTEM COLOR</b>	<b>ZODIAC SEATS FRANCE RESTRAINT CODE</b>
SXX057	PEPPER- DUST	P05	AMAZONE	C02	PEPPER- DUST	R10
SXX058	PEPPER- DUST	P05	BROWN	C29	BUR- GUNDY	R09
SXX059	QUARTZ GREY	P06	BUFFALO (BLUE GREY)	C20	INDIGO BLUE	R20
SXX060	PEPPER- DUST	P05	AMAZONE	C02	PEPPER- DUST	R10
SXX061	PEPPER- DUST	P05	PEWTER	C22	DARK GREY	R02
SXX062	PEPPER- DUST	P05	AMAZONE	C02	DARK GREY	R02
SXX063	PEPPER- DUST	P05	915	C24	PEPPER- DUST	R10
SXX064	PEPPER- DUST	P05	912	C23	PEPPER- DUST	R10
SXX065	GREY 7797	P15	GREY	C25	CRUISER GREY	R14
SXX066	PEPPER- DUST	P05	MARINE	C05	MIDNIGHT BLUE	R23
SXX067	DOVE GREY	P10	VIENNA GREY	C08	GULL GREY	R16
SXX068	PEPPER- DUST	P05	VIOLET PATTERN 560	C27	PEPPER- DUST	R10
SXX069	DOVE GREY	P10	VIENNA GREY	C08	PEPPER- DUST	R10
SXX070	PEPPER- DUST	P05	PEPPER- DUST	C06	SILVER GREY	R03
SXX071	PEPPER- DUST	P05	PEPPER- DUST	C06	DARK GREY	R02
SXX072	AZA DARK GREY	P16	915	C24	DARK TUR- QUOISE	R12
SXX073	AZA DARK GREY	P16	912	C23	DARK TUR- QUOISE	R12

**Zodiac Seats France**  
**COMPONENT MAINTENANCE MANUAL**  
**RL-SERIES**

<b>FINISHING P/N SEATS</b>	<b>PAINT COLOR</b>	<b>ZODIAC SEATS FRANCE PAINT CODE</b>	<b>UPHOLSTERY COLOR</b>	<b>ZODIAC SEATS FRANCE UPHOLSTERY CODE</b>	<b>RESTRAINT SYSTEM COLOR</b>	<b>ZODIAC SEATS FRANCE RESTRAINT CODE</b>
SXX074	PEPPER- DUST	P05	INK	C11	BLACK BLUE	R21
SXX075	SAS GREY	P51	INK	C11	BLACK BLUE	R21
SXX076	SOFT GREY	P02	VIENNA GREY	C08	PEPPER- DUST	R10
SXX077	PEPPER- DUST	P05	TBN6015	C30	TUR- QUOISE	R24
SXX078	PEPPER- DUST	P05	PEPPER- DUST	C06	PEPPER- DUST	R10
SXX079	QUARTZ- GREY (FRAME) and PEP- PERDUST (SEAT PAN)	P06 and P05	DARK GREY NCS750 0LH	C19	DARK GREY	R02
SXX080	PEPPER- DUST	P05	THUNDER	C31	PEPPER- DUST	R10
SXX081	PEPPER- DUST	P05	PEPPER- DUST	C06	PEPPER- DUST	R10
SXX082	CONGER	P13	ATLANTIC 4500	C32	MIDNIGHT BLUE	R23
SXX083	ROYAL BLUE	P24	SATEEN ROCKALL	C33	MIDNIGHT BLUE	R23
SXX084	PEPPER- DUST	P05	PEPPER- DUST	C06	BLACK	R01
SXX085	TAN	P18	PEPPER- DUST	C06	DARK BLUE	R22
SXX086	PEPPER- DUST	P05	ATLANTIC 4500	C32	BLACK	R01
SXX087	AZA DARK GREY	P16	TIN 7100	C34	DARK TUR- QUOISE	R12
SXX088	PEPPER- DUST	P05	SUMMER FOREST SPRUCE	C26	INDIGO BLUE	R20
SXX089	TIN	P12	ASH GREY	C09	PEPPER- DUST	R10

**Zodiac Seats France**  
**COMPONENT MAINTENANCE MANUAL**  
**RL-SERIES**

<b>FINISHING P/N SEATS</b>	<b>PAINT COLOR</b>	<b>ZODIAC SEATS FRANCE PAINT CODE</b>	<b>UPHOLSTERY COLOR</b>	<b>ZODIAC SEATS FRANCE UPHOLSTERY CODE</b>	<b>RESTRAINT SYSTEM COLOR</b>	<b>ZODIAC SEATS FRANCE RESTRAINT CODE</b>
SXX090	GREY AMJ	P23	FRIEND /TRANS- GREY	C36	BLACK	R01
SXX091	PEPPER- DUST	P05	GREEN DALMA- NORCK	C35	CANADIAN GREEN	RXX
SXX092	PEPPER- DUST	P05		C37	PEPPER- DUST	R10
SXX093	PEPPER- DUST	P05	CAMEL (6255)	C38	FAWN	R13
SXX094	GREY AMJ	P23	H099	C39	BLACK	R01
SXX095	HAZE	P25	VIENNA GREY	C08	DARK GREY	R02
SXX096	FOGGY	P26	TIN (7100)	C34	PEPPER- DUST	R10
SXX097	NAVY BLUE	P27	ROYAL BLUE	C40	BLACK BLUE	R21
S00098	PEPPER- DUST	P05	STEPPE	C51	DARK GREY	R02
S11098	PEPPER- DUST	P05	DARK BLUE	C42	MIDNIGHT BLUE	R23
SXX099	QUARTZ GREY	P06	STEPPE	C51	DARK GREY	R02
SXX099	PEPPER- DUST	P05	GREY 715	C41	BLACK	R01
SXX100	PEPPER- DUST	P05	PEPPER- DUST	C06	BLACK BLUE	R21
SXX101	GREY AMJ	P23	PEBBLE (7385)	C43	TRANSI- TIONAL GREY	R30
SXX102	SIKKENS E8.15.65	PXX	25593	C47	MEDIUM SADDLE BUCKLE GOLD PLATED	RXX
SXX103	FOGGY	P26	TIN 7100	C34	CRUISER GREY	R14

**Zodiac Seats France**  
**COMPONENT MAINTENANCE MANUAL**  
**RL-SERIES**

<b>FINISHING P/N SEATS</b>	<b>PAINT COLOR</b>	<b>ZODIAC SEATS FRANCE PAINT CODE</b>	<b>UPHOLSTERY COLOR</b>	<b>ZODIAC SEATS FRANCE UPHOLSTERY CODE</b>	<b>RESTRAINT SYSTEM COLOR</b>	<b>ZODIAC SEATS FRANCE RESTRAINT CODE</b>
SXX104	FOGGY	P26	TIN 7100	C34	STORM GREY	RXX
SXX105						
SXX106	THUNDER- BLUE	P28	OCEAN (4470)	C44	INDIGO BLUE	R20
SXX107	PEPPER- DUST	P05	BLUE ES8022	C45	PEPPER- DUST	R10
SXX108	PEPPER- DUST	P05	DERBY ES DE0204	C46	PEPPER- DUST	R10
SXX109	PEPPER- DUST	P05	4070FE	C48	PEPPER- DUST	R10
SXX110	SAND	P30	COGNAC (6360)	C58	TAN	R05
SXX111	PEPPER- DUST	P05	SATEEN ATLANTIC BLUE	C56	PEPPER- DUST	R10
SXX112	PEPPER- DUST	P05	ASH GREY	C09	PEPPER- DUST	R10
SXX113	PEPPER- DUST	P05	4054- FORTE	C55	PEPPER- DUST	R10
SXX114	RAIN- CLOUD	P29	GREY (7094)	C57	BLACK BLUE	R21
SXX115	FOGGY	P26	TIN (7100)	C34	SILVER GREY	R03
SXX116						
SXX117	FOGGY	P26	STEEL BLUE (4360 )	C79	SILVER GREY	R03
SXX118	DARK POR- CELAIN	P32	CREAM (1100)	C78	PEPPER- DUST	R10
SXX119	FOGGY	P26	ATLANTIC (4500)	C32	INDIGO BLUE	R20
SXX120	PEPPER- DUST	P05	PEPPER- DUST 7300	C06	PEPPER- DUST	R10
SXX121	FOGGY	P26	EURO GREY (7680)	C61	CRUISER GREY	R14

**Zodiac Seats France**  
**COMPONENT MAINTENANCE MANUAL**  
**RL-SERIES**

<b>FINISHING P/N SEATS</b>	<b>PAINT COLOR</b>	<b>ZODIAC SEATS FRANCE PAINT CODE</b>	<b>UPHOLSTERY COLOR</b>	<b>ZODIAC SEATS FRANCE UPHOLSTERY CODE</b>	<b>RESTRAINT SYSTEM COLOR</b>	<b>ZODIAC SEATS FRANCE RESTRAINT CODE</b>
SXX122	FOGGY	P26	6811	C62	CRUISER GREY	R14
SXX123	FOGGY	P26	TIN (7100)	C34	PEPPER- DUST	R10
SXX124	PEPPER- DUST	P05	CLASSIC PEARLIZED GOLDEN- ROD	C80	PEPPER- DUST	R10
SXX125	QUARTZ GREY	P06	ROYAL BLUE	C50	MIDNIGHT BLUE	R23
SXX126	FOGGY	P26	ASH GREY	C09	PEPPER- DUST	R10
SXX127	FOG	P08	ROYAL BLUE	C50	PEPPER- DUST	R10
SXX128	CREAM WHITE	P41	RUBY	CXX	ROYAL BLUE	R32
SXX129	MOON- SHADOW	P34	AQUA BLUE 4178	C81	DEEP BLUE	R31
SXX130	CONGER	P13	ATLANTIC (4500)	C32	SILVER GREY	R03
SXX131	LIGHT IVORY BUFF	P35	LIGHT IVORY BUFF K5735	C82	FAWN	R13
SXX132	TIN	P12	ASH GREY	C09	SILVER GREY	R03
SXX133	PEPPER- DUST	P05	TIN (7100)	C34	PEPPER- DUST	R10
SXX134	PEPPER- DUST	P05	CLASSIC SILK CREAM	C83	PEPPER- DUST	R10
SXX135	FOGGY	P26	PEPPER- DUST 7300	C06	PEPPER- DUST	R10
SXX136	FOGGY	P26	TIN 7100	C34	PEPPER- DUST	R10

**Zodiac Seats France**  
**COMPONENT MAINTENANCE MANUAL**  
**RL-SERIES**

<b>FINISHING P/N SEATS</b>	<b>PAINT COLOR</b>	<b>ZODIAC SEATS FRANCE PAINT CODE</b>	<b>UPHOLSTERY COLOR</b>	<b>ZODIAC SEATS FRANCE UPHOLSTERY CODE</b>	<b>RESTRAINT SYSTEM COLOR</b>	<b>ZODIAC SEATS FRANCE RESTRAINT CODE</b>
SXX137	PEPPER- DUST	P05	CLASSIC PEARLI- ZEDHONEY BEIGE	C84	PEPPER- DUST	R10
SXX138	PEPPER- DUST	P05	FORTE 4039	C85	PEPPER- DUST	R10
SXX139	FOGGY	P26	ASH GREY 7500	C09	PEPPER- DUST	R10
SXX140	FOGGY	P26	ASH GREY 7500	C09	CRUISER GREY	R14
SXX141	DARK POR- CELAIN	P32	CREAM (1100)	C78	PEPPER- DUST	R10
SXX142	PARASOL BEIGE + VARNISH PEARL BEIGE 1133	P36	WHITE NUMBER CL-4950- 0503	C86	PEPPLE P/N 1-08-01 52- C7SSP	R33
SXX143	PEPPER- DUST	P05	PEPPER- DUST 7300	C06	BUR- GUNDY	R09
SXX144	PEPPER- DUST	P05	BLUE	C87	BLACK BLUE	R21
SXX145	FOGGY	P26	TIN 7100	C34	PEPPER- DUST	R10
SXX146	PARASOL BEIGE + VARNISH PEARL BEIGE 1133	P36	WHITE NUMBER CL-4950- 0503	C86	PEPPLE P/N 1-08-01 52- C7GMT	R34
SXX147	PEPPER- DUST	P05	BRANDY CREAM	C88	PEPPER- DUST	R10
SXX148	RED 3016 MATT	P37	PAPRIKA	C89	CLAY P/N 1-08-01 52- C6TRA	R35
SXX149	FOGGY	P26	ASH GREY 7500	C09	SILVER GREY	R03
SXX150	FOGGY	P26	GREEN 3132	C91	SILVER GREY	R03
SXX151	SOFT GREY	P02	BEIGE 1312	C90	BUR- GUNDY	R09

**Zodiac Seats France**  
**COMPONENT MAINTENANCE MANUAL**  
**RL-SERIES**

<b>FINISHING P/N SEATS</b>	<b>PAINT COLOR</b>	<b>ZODIAC SEATS FRANCE PAINT CODE</b>	<b>UPHOLSTERY COLOR</b>	<b>ZODIAC SEATS FRANCE UPHOLSTERY CODE</b>	<b>RESTRAINT SYSTEM COLOR</b>	<b>ZODIAC SEATS FRANCE RESTRAINT CODE</b>
SXX152	PEPPER- DUST	P05	WHEAT	C92	PEPPER- DUST	R10
SXX153	PEPPER- DUST	P05	PEPPER- DUST 7300	C06	BLACK	R01
SXX154	DARK POR- CELAIN	P32	SAND	C88	PEPPER- DUST	R10
SXX155	PEPPER- DUST	P05	PEPPER- DUST	C06	PEPPER- DUST	R10
SXX156	PARASOL BEIGE	P36	SAHARA	C95	PEPPER- DUST	R10
SXX157	FOGGY	P26	PEBBLE	C94	CRUISER GREY	R14
SXX158	BEIGE 1298	P38	CL-547	C97	636 BEIGE	R36
SXX159	BEIGE FAUVE 1379	P39	K4679	C98	637 BEIGE	R36
SXX160	PEPPER- DUST	P05	SABRINA 843	C96	PEPPER- DUST	R10
SXX161	FOGGY	P26	BLUE RIDGE	C99	NAVY BLUE	R06
SXX162	PEPPER- DUST	P05	WA9375- 020	CA1	PEPPER- DUST	R10
SXX163	FOGGY	P26	VIENNA GREY	C08	PEPPER- DUST	R10
SXX164	PORCE- LAIN	P42	ANTIQUE SILK	C78	PEPPER- DUST	R10
SXX165	FOGGY	P26	ATLANTIC	C32	BLACK BLUE	R21
SXX166	DARK POR- CELAIN	P32	SAHARA	C95	PEPPER- DUST	R10
SXX167	FOG	P08	ATLANTIC	C32	PEPPER- DUST	R10
SXX168	PPG DMC 900, DMC902 and DMC 908	N/A	COW DESERT FLOW	CA3	(-8073)	N/A

**Zodiac Seats France**  
**COMPONENT MAINTENANCE MANUAL**  
**RL-SERIES**

<b>FINISHING P/N SEATS</b>	<b>PAINT COLOR</b>	<b>ZODIAC SEATS FRANCE PAINT CODE</b>	<b>UPHOLSTERY COLOR</b>	<b>ZODIAC SEATS FRANCE UPHOLSTERY CODE</b>	<b>RESTRAINT SYSTEM COLOR</b>	<b>ZODIAC SEATS FRANCE RESTRAINT CODE</b>
SXX169	PEPPER- DUST	P05	SABRINE COLOR	CA4	PEPPER- DUST	R10
SXX170	DARK POR- CELAIN	P32	BRAZIL	CA5	BROWN	R04
SXX171	DARK POR- CELAIN	P32	MARINE	C05	BLACK BLUE	R21
SXX172	PEPPER- DUST	P05	13BWJ3023 EB3701	CA6	DARK GREY	R02
SXX173	PEPPER- DUST	P05	13BWJ3023 EB3701	CA6	DARK BLUE	R22
SXX174	DARK FOG	P31	ASH GREY 7500	C09	CRUISER GREY	R14
SXX175	FOGGY	P26	TIN 7100	C34	PEPPER- DUST	R10
SXX176	WHITE MARBLE	P43	CHAM- PAGNE	CA8	HAZELNUT TWEED (GOLD PLATED)	R38
SXX177	DARK POR- CELAIN	P32	AKAKUS	CA9	PEPPER- DUST	R10
SXX178	FOGGY	P26	BLACK	CB1	PEPPER- DUST	R10
SXX179	MATCHES LEATH- ER CHATHAM ECRU 644	N/A	CHATHAM ECRU 644	CA10	(-2770)	N/A
SXX180	FOGGY	P26	PEPPER- DUST 7300	C06	PEPPER- DUST	R10
SXX181	MATCHES LEATHER LIGHT TAUPE	N/A	LIGHT TAUPE	CB4	(-8044)	R40
SXX182	DARK POR- CELAIN	P32	ANTIQUE SILK	C78	PEPPER- DUST	R10
SXX183	BEIGE ERITREA	P19	SAHARA	C95	LIGHT SADDLE	R39

**Zodiac Seats France**  
**COMPONENT MAINTENANCE MANUAL**  
**RL-SERIES**

<b>FINISHING P/N SEATS</b>	<b>PAINT COLOR</b>	<b>ZODIAC SEATS FRANCE PAINT CODE</b>	<b>UPHOLSTERY COLOR</b>	<b>ZODIAC SEATS FRANCE UPHOLSTERY CODE</b>	<b>RESTRAINT SYSTEM COLOR</b>	<b>ZODIAC SEATS FRANCE RESTRAINT CODE</b>
SXX184	MAPAERO SATIN FRS40 BROWN SOPHAR L7/8167 SATIN	P44	N/A	CB5	WEBBING 6D4 SHELL	R41
SXX184 AMDT F	MAPAERO SATIN FRS40 BROWN SOPHAR L7/8167 SATIN	P44	N/A	CB5	WEBBING 6 04 BROWN	R45
SXX185	DARK POR- CELAIN	P32	NAVY (4755)	CB7	PEPPER- DUST	R10
SXX186	MAPAERO 40921471B 005K	P45	GREY SAND	CB6	PEPPER- DUST	R10
SXX187	FOGGY	P26	PEACOCK (4555)	CB8	PEPPER- DUST	R10
SXX188	FOG	P08	TITAN (7350)	CB9	PEPPER- DUST	R10
SXX189	FOGGY	P26	WARM PEEBBLE	CC1	SILVER GREY	R03
SXX190	MAPAERO 40927473B	P46	SMOKE	CC2	PEPPER- DUST	R42
SXX191	MAPAERO 40928164B	P47	N/A	CC3	BROWN	R43
SXX192	MAPAERO 40921819B	P48	CREAM SILK	CC4	PEACH GOLD	R44
SXX193	PEPPER- DUST	P05	WHITE	CC5	PEPPER- DUST	R10
SXX194	TIN	P12	BLUE	CC6	SILVER GREY	R03

**Zodiac Seats France**  
**COMPONENT MAINTENANCE MANUAL**  
**RL-SERIES**

<b>FINISHING P/N SEATS</b>	<b>PAINT COLOR</b>	<b>ZODIAC SEATS FRANCE PAINT CODE</b>	<b>UPHOLSTERY COLOR</b>	<b>ZODIAC SEATS FRANCE UPHOLSTERY CODE</b>	<b>RESTRAINT SYSTEM COLOR</b>	<b>ZODIAC SEATS FRANCE RESTRAINT CODE</b>
SXX195	MAPAERO SATIN FRS40 BEIGE PANTONE 406C (409 50406B)	P53	CHAR- LOTTE	CC7	PEPPER- DUST	R10
SXX196	MAPAERO FRS40 BROWN (40 928244B)	P56	BROWN	CC8	CHROME GREY	R46
SXX197	MAPAERO FRS40 STONE GREY (40 927663B)	P55	STONE GREY	CC9	UMBER	R47
SXX198	MAPAERO FRS40 DARK BROWN (40 928245B)	P54	DARK BROWN	CD0	CHROME GREY	R46
SXX199	MAPAERO 404-12 QUARTZ	P06	BLUE (FW2227)	CB2	DARK BLUE	R06
SXX206	DARK POR- CELAIN	P32	COFFEE	CD1	BROWN	R4
SXX207	PEPPER- DUST	P05		CD2	PEPPER- DUST	R10
SXXS01	BEIGE ERITREA	P19	SAHARA	C04	TAN	R05
SXXS02	GREY CLOUD	P04	PEPPER- DUST 7300	C06	DARK GREY	R02
SXXS03	BLUE	P40	3910LS480	CA2	MIDNIGHT BLUE	R23
SXXS04	GREY	P52	BLUE (FW2227)	CB2	BLACK (-2251)	R01

Table 6005 / COLORS CODES

**Zodiac Seats France**  
**COMPONENT MAINTENANCE MANUAL**  
**RL-SERIES**

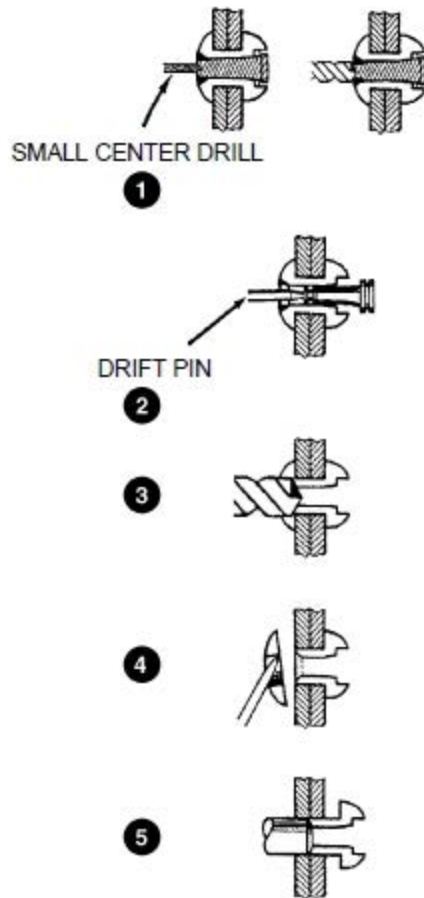
**SUBTASK 25-11-79-350-010-A01**

(10) Riveted assemblies

(a) Removal of the rivet

- 1 It is recommended that a small center drill be used to supply a guide for a larger drill on top of the rivet, and the upper portion of the stem be drilled away to destroy the lock.
- 2 Drive out the rivet stem, using a tapered steel drift pin, or spent stem.
- 3 Drill nearly through the head of the rivet, using a drill the same size as the rivet shank.
- 4 Break off rivet head, using a drift pin as a pry.
- 5 Drive out the remaining rivet shank with a pin having a diameter equal to the rivet shank.

**Zodiac Seats France**  
**COMPONENT MAINTENANCE MANUAL**  
**RL-SERIES**



**RIVETED ASSEMBLIES**

Figure 6002/GRAPHIC-25-11-79-991-602-A01

**25-11-79**

Page 6074  
Jul 23/18

**Zodiac Seats France**  
**COMPONENT MAINTENANCE MANUAL**  
**RL-SERIES**

- (b) Installation of the rivet
- 1 Before install the new rivets, examine the size of the hole to determine if the original fastener size can be reinstalled or if an oversize fastener will be necessary.
  - 2 Use the aircraft structural repair manual or FAA document EA-AC65-15A "Airframe and Powerplant Mechanics Handbook" to make this determination, and install the new fastener in accordance with these documents.
- (c) Removal of the rivet (secondary structure only)
- 1 If it is necessary to remove any solid rivet, the work is accomplished in accordance with the aircraft structural repair manual or FAA document EA-AC65-15A "Airframe and Powerplant Mechanics Handbook".
  - 2 If it is necessary to remove any blind rivet, the work is accomplished in accordance, with the preceding recommended procedure as shown (Refer to Fig. 6002 Fig. 6002) ("1" thru "5").

**SUBTASK 25-11-79-350-011-A01**

- (11) In case of damaged seat spring

(Refer to Fig. 6003)

(Refer to Fig. 6004)

(Refer to Fig. 6005)

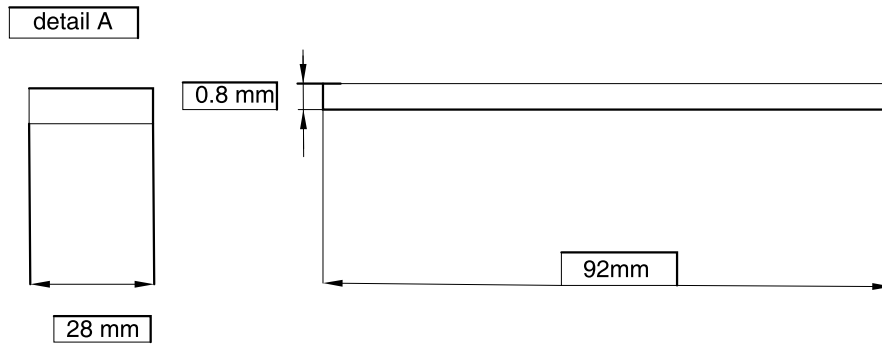
- (a) During the replacement of the seat spring

Following the procedure for remove the spring following the SB 153-25-068 or following the procedure for the spring disassembly in the CMM 25-11-79. If the seat spring has worn a groove into the structure.

Procedure:

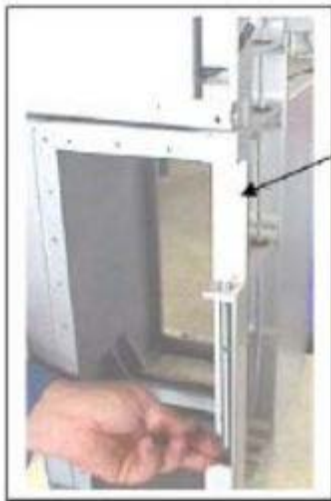
- 1 Clean the structure with Isopropyl alcohol or equivalent to remove any dirtiness or grease.
- 2 Use the drawing (see dimension above (Detail A) stainless steel plate like a model to make new one.
- 3 File the sharp edges of the part. - Using stainless steel plate thickness 0,8 mm (0.031 in.) maxi.
- 4 Put the adhesive DP810 (3M / Scotch-Weld) (Acrylic Structural Adhesive) or equivalent on the plate made.
- 5 Then assemble and press strongly the plate on the surface.
- 6 Let dry 6 hours ambient temperature 20 °C.
- 7 Re-install the spring following the SB 153-25-068 or following the procedure for the spring installation in the CMM 25-11-79.

**Zodiac Seats France**  
**COMPONENT MAINTENANCE MANUAL**  
**RL-SERIES**



Dimensions are given in millimeters  
Material : stainless steel plate

**IN CASE OF DAMAGED SEAT SPRING**  
Figure 6003/GRAPHIC-25-11-79-991-603-A01

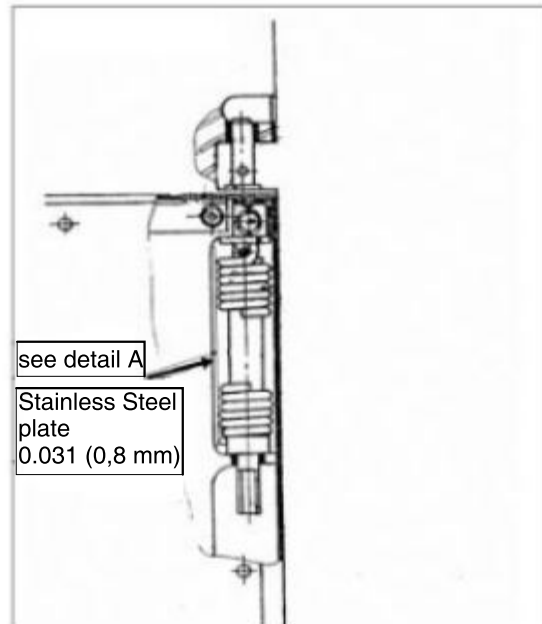


Clean the structure with Isopropyl alcohol or equivalent  
to remove any dirtiness or grease

**IN CASE OF DAMAGED SEAT SPRING**  
Figure 6004/GRAPHIC-25-11-79-991-604-A01

**Zodiac Seats France**  
**COMPONENT MAINTENANCE MANUAL**  
**RL-SERIES**

Attention : Install the stainless steel plate,  
as shown in this view above ( see detail A).



IN CASE OF DAMAGED SEAT SPRING  
Figure 6005/GRAPHIC-25-11-79-991-605-A01

**SUBTASK 25-11-79-350-012-A01**

(12) Headrest reparation procedure

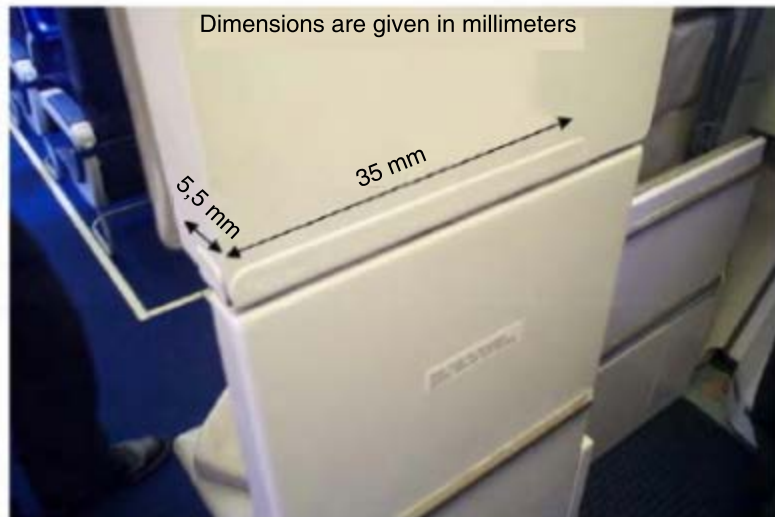
(Refer to Fig. 6006)

(Refer to Fig. 6007)

- (a) In case of crack of the plastic covering the headrest located on the lower aft edge, follow the procedure below for reparation.

**Zodiac Seats France**  
**COMPONENT MAINTENANCE MANUAL**  
**RL-SERIES**

Lift up the headrest and disengage it from the backrest structure



The repair Doubler :  
Made from Aluminium 2024T3-022" With two rows  
of 3/32 (2.4mm) pop rivets 1" spaced  
Length of doubler 34 mm extending along the length  
of the headrest

Views of the headrest from the underside

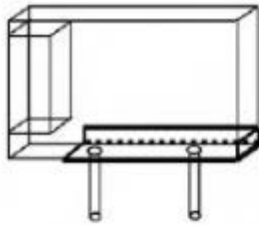


**HEADREST REPARATION PROCEDURE**  
Figure 6006/GRAPHIC-25-11-79-991-606-A01

**25-11-79**

Page 6078  
Jul 23/18

Zodiac Seats France  
COMPONENT MAINTENANCE MANUAL  
RL-SERIES



internal views of the rotating seat headrest  
These views show the two rows of rivets through  
the headrest at the position rod structure .



Plastic covering cracked.



Doubler Single row of rivets

HEADREST REPARATION PROCEDURE  
Figure 6007/GRAPHIC-25-11-79-991-607-A01

**25-11-79**

Page 6079  
Jul 23/18

**Zodiac Seats France**  
**COMPONENT MAINTENANCE MANUAL**  
**RL-SERIES**

THIS PAGE INTENTIONALLY LEFT BLANK

## **ASSEMBLY**

### **TASK 25-11-79-400-801-A01**

#### 1. ASSEMBLY

##### A. Reason for the job

- (1) This chapter includes the instructions (necessary tools, procedures) to do the assembly of the seat.

##### B. Job set-up information

###### (1) General

- (a) Before assembly, verify that the **CLEANING**, **CHECK** and the **REPAIR** of all component parts have been carried out.
- (b) After repair or replacement of any damaged or worn parts, reassemble the seat assembly following accepted workshop practices, noting the following detailed instructions. Use a tracking fixture to support the seat structure.
- (c) Refer to the illustrations in the Illustrated Parts List for location, sequence, quantity and identification of assemblies, subassemblies and parts. These illustrations are also intended as a guide line for the assembly procedure.
- (d) Whenever possible, replace low cost items during reassembly to prevent possible future maintenance work as a result of failure of these parts.
- (e) The self-locking nuts and pins should systematically be replaced after a dismantling operation.
- (f) In order to prevent errors during assembly, refer to the marking or numbering of the component parts.
- (g) The following statement must be furnished with each manufactured unit: "The conditions and test required for TSO approval of these articles are minimum performance standard. It is the responsibility of those desiring to install these articles either on or within the TSO standards. If not within the TSO standard, the article can be installed only if further evolution by the applicant documents an acceptable installation and is approved by the Administrator".

###### (2) List of materials

NOTE : See consumables table ([Refer to REPAIR](#)).

**Zodiac Seats France**  
**COMPONENT MAINTENANCE MANUAL**  
**RL-SERIES**

C. Procedure

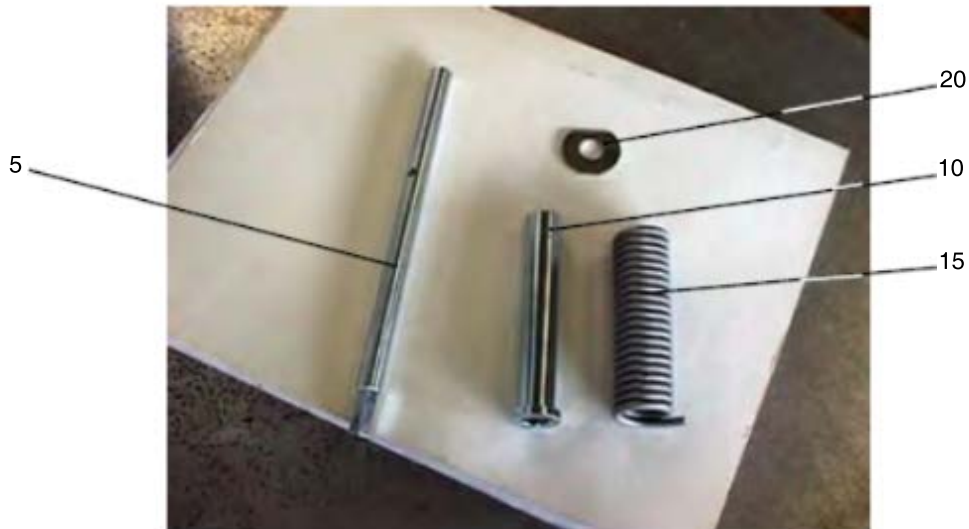
**SUBTASK 25-11-79-420-001-A01**

(1) Procedure for the old spring P/N 153500-03 installation (PRE SB153-25-068)

(Refer to Fig. 7001)

(a) Detail of parts for spring installation:

- 1 Shaft P/N 153500-06 (5).
- 2 Guide P/N 153500-04 (10).
- 3 Spring P/N 153500-03 (15).
- 4 Washer P/N 153500-02 (20).
- 5 Mecanindus pin P/N GPMECAE4X25 (not shown).
- 6 Mecanindus pin P/N GPMECAE2-5X25 (not shown).

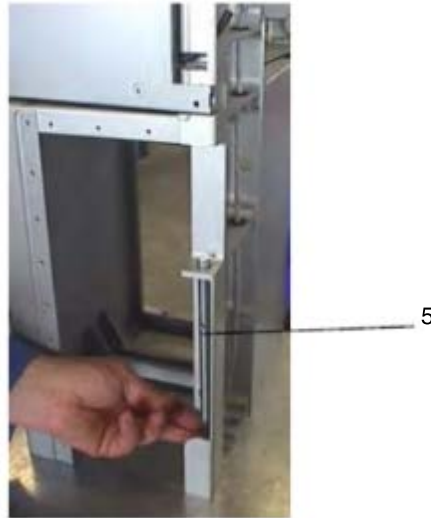


PROCEDURE FOR THE OLD SPRING P/N 153500-03 INSTALLATION

Figure 7001/GRAPHIC-25-11-79-991-701-A01

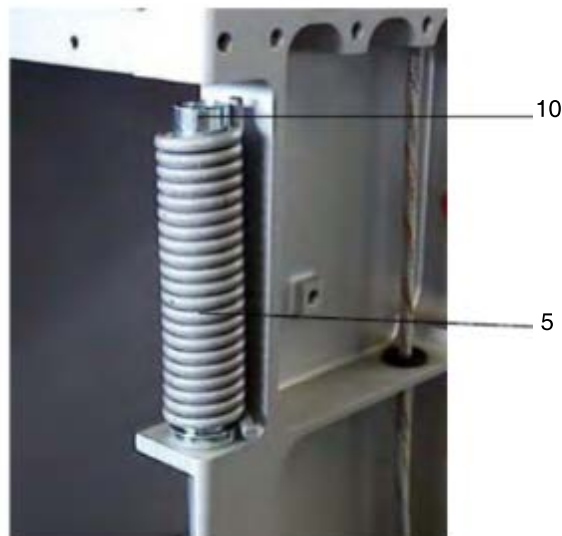
**Zodiac Seats France**  
**COMPONENT MAINTENANCE MANUAL**  
**RL-SERIES**

- (b) Insert the shaft (5) through the structure (Refer to Fig. 7002).



PROCEDURE FOR THE OLD SPRING P/N 153500-03 INSTALLATION  
Figure 7002/GRAPHIC-25-11-79-991-702-A01

- (c) Install the spring (5) onto the guide (10) then place the assembly in the structure (Refer to Fig. 7003).



PROCEDURE FOR THE OLD SPRING P/N 153500-03 INSTALLATION  
Figure 7003/GRAPHIC-25-11-79-991-703-A01

**Zodiac Seats France**  
**COMPONENT MAINTENANCE MANUAL**  
**RL-SERIES**

- (d) Place the washer (5) onto the top of the guide (10) then fully move the shaft (15) through the guide and the seat structure (Refer to Fig. 7004).

NOTE : The washer have to be installed so that the relief chamber is of the top in order to match up it with the upper radius of the seat structure.



PROCEDURE FOR THE OLD SPRING P/N 153500-03 INSTALLATION  
Figure 7004/GRAPHIC-25-11-79-991-704-A01

- (e) Make sure that the hole of the pins is flush with the top of the guide (5) (Refer to Fig. 7005).



PROCEDURE FOR THE OLD SPRING P/N 153500-03 INSTALLATION  
Figure 7005/GRAPHIC-25-11-79-991-705-A01

**Zodiac Seats France**  
**COMPONENT MAINTENANCE MANUAL**  
**RL-SERIES**

- (f) Insert the two mecanindus pins (compound installation) into the shaft (Refer to Fig. 7006).



PROCEDURE FOR THE OLD SPRING P/N 153500-03 INSTALLATION  
Figure 7006/GRAPHIC-25-11-79-991-706-A01

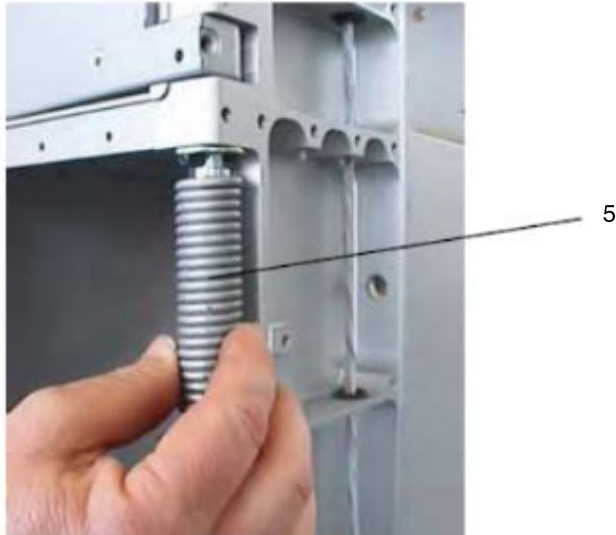
- (g) Engage the spring vertical end with the pins assembly (Refer to Fig. 7007).



PROCEDURE FOR THE OLD SPRING P/N 153500-03 INSTALLATION  
Figure 7007/GRAPHIC-25-11-79-991-707-A01

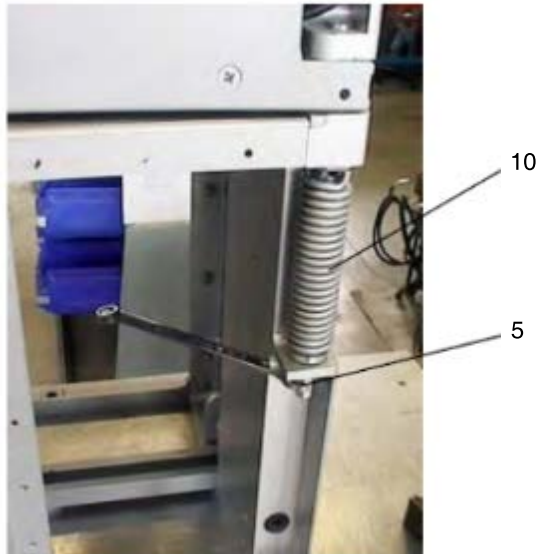
**Zodiac Seats France**  
**COMPONENT MAINTENANCE MANUAL**  
**RL-SERIES**

- (h) Pull the spring (5) fully upwards (Refer to Fig. 7008).



PROCEDURE FOR THE OLD SPRING P/N 153500-03 INSTALLATION  
Figure 7008/GRAPHIC-25-11-79-991-708-A01

- (i) Using two flat spanners 8mm (0.31 in. ) turn counterclockwise (180°) the shaft (5) to make the spring (10) in tension (Refer to Fig. 7009).



PROCEDURE FOR THE OLD SPRING P/N 153500-03 INSTALLATION  
Figure 7009/GRAPHIC-25-11-79-991-709-A01

**Zodiac Seats France**  
**COMPONENT MAINTENANCE MANUAL**  
**RL-SERIES**

- (j) If the shaft (P/N 153500-06) was previously removed from the seat, a new pin (P/N GPMECAE4X25) have to be inserted into the top of the shaft through the correct hole of the seat pan assembly placed in stow position (refer to [Figure 7011](#)).
- If not (new shaft P/N 153500-06), counte rdrill the top of the shaft with a dia. 4mm (0.15 in. ) drill, using the hole of the seat pan assembly as a template then insert the pin (P/N GPMECAE4X25) ([Refer to Fig. 7012](#)).

Remove the retaining flat spanner from the shaft.  
Check the seat pan assembly for proper operation.



PROCEDURE FOR THE OLD SPRING P/N 153500-03 INSTALLATION  
Figure 7010/GRAPHIC-25-11-79-991-710-A01

**Zodiac Seats France**  
**COMPONENT MAINTENANCE MANUAL**  
**RL-SERIES**



PROCEDURE FOR THE OLD SPRING P/N 153500-03 INSTALLATION  
Figure 7011/GRAPHIC-25-11-79-991-711-A01



PROCEDURE FOR THE OLD SPRING P/N 153500-03 INSTALLATION  
Figure 7012/GRAPHIC-25-11-79-991-712-A01

**SUBTASK 25-11-79-420-002-A01**

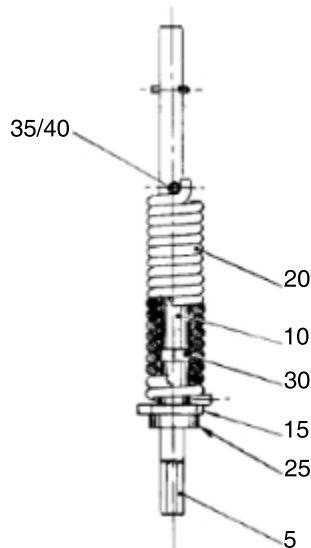
(2) Procedure for the new spring P/N 183100-160-2 installation (POST SB153-25-068).

(a) Detail of parts for spring installation:

- 1 Shaft P/N 153500-15 (5).
- 2 Upper guide P/N 153500-14 (10).
- 3 Lower guide P/N 153500-12 (15).

**Zodiac Seats France**  
**COMPONENT MAINTENANCE MANUAL**  
**RL-SERIES**

- 4 Spring P/N 183100-160-2 (20).
  - 5 Spacer P/N 183100-165-0 (25).
  - 6 Nylon Bushing P/N 153500-13 (30).
  - 7 Mecanindus pin P/N GPMECAE4X25 (35).
  - 8 Mecanindus pin P/N GPMECAE2-5X25 (40).
  - 9 Rivet P/N RIL21217ID3209 (45).
  - 10 Screw P/N NAS514P1032-7 (50).
  - 11 Rivet P/N POPTLPK424BS (55).
- (b) Insert the new shaft P/N 153500-15 through the structure.
- (c) Install the new spacer P/N 183100-165-0 (25), the new lower guide P/N 153500-12 (15), the new nylon bushing P/N 153500-13 (30), the new upper guide P/N 153500-14 (10,) and the new spring P/N 183100-160-2 (20) onto the new shaft P/N 153500-15 (5) then place the assembly in the structure (Refer to Fig. 7013).



**PROCEDURE FOR THE NEW SPRING P/N 183100-160-2 INSTALLATION**

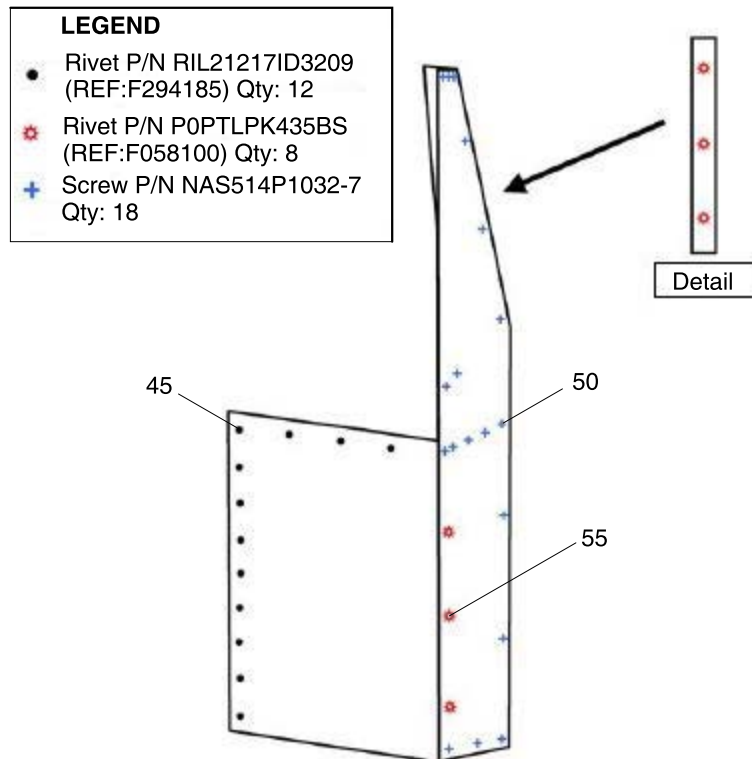
Figure 7013/GRAPHIC-25-11-79-991-713-A01

- (d) Fully move the shaft P/N 153500-15 through the guide and the seat structure.
- (e) Make sure that the hole of the pins is flush with the top of the upper guide P/N 153500-14.
- (f) Insert the 2 pins P/N GPMECAE4X25 and GPMECAE2-5X25 (compound installation) into the shaft P/N 153500-15.
- (g) Engage the spring vertical end with the pins assembly.
- (h) Pull the new spring P/N 183100-160-2 fully upwards.

**Zodiac Seats France**  
**COMPONENT MAINTENANCE MANUAL**  
**RL-SERIES**

- (i) Using 2 flat spanners (8 mm) turn counterclockwise (40°) the shaft P/N 153500-15 to make the spring P/N 183100-160-2 in tension.
- NOTE :** The shaft will have to be held in position with one of the flat spanner placed against the structure.
- (j) A new pin P/N GPMECAE4X25 have to be inserted into the top of the shaft through the correct hole of the seat pan assembly placed in stow position.
- (k) Remove the retaining flat spanner from the shaft.
- (l) Check the seat pan assembly for proper operation.
- (m) Re-install the existing side panel with new rivets P/N RIL21217ID3209 (45, Qty. 12), with new screws P/N NAS514P1032-7 (50, Qty. 18) and new rivets P/N P0PTLPK435BS (55, Qty. 8) (Refer to Fig. 7014).

**NOTE :** Mastic and paint the side panel.



DETAIL VIEW to install the side pannel with the correct hardware

PROCEDURE FOR THE NEW SPRING P/N 183100-160-2 INSTALLATION  
Figure 7014/GRAPHIC-25-11-79-991-714-A01

**Zodiac Seats France**  
**COMPONENT MAINTENANCE MANUAL**  
**RL-SERIES**

**SUBTASK 25-11-79-420-003-A01**

- (3) Installation of the headrest equipped  
(Refer to IPL FIG. 7)
- (a) Position headrest where it should be placed on the wall and then to push down.

**SUBTASK 25-11-79-420-004-A01**

- (4) Installation of the restraint system  
(Refer to IPL FIG. 3)  
(Refer to IPL FIG. 4)
- (a) Lap belts installation.
- 1 Position lap belts buckles, attach with spacers (3-165) and attached with screws (3-170).
- (b) Upper belts installation.
- 1 For reels type restraint system
- a Set reels assembly on belt support (3-30) , attach with screws (3-50).
- b Put strap guides (3-185) on backrest assembly (3-6), attach with screws (3-190).
- 2 For buckle type restraint system
- a Engage straps in backrest assembly (3-6).
- b Install the metal buckle around the strap, with open side facing upward.
- (c) Install new identification plates on restraint system (Refer to DESCRIPTION AND OPERATION).

NOTE : Put "LOCTITE 243" on each screw to be inserted in threaded parts.

**SUBTASK 25-11-79-420-005-A01**

- (5) Installation of the stowage door assembly  
(Refer to IPL FIG. 3)
- (a) Position door assembly (3-125), attach with shaft (3-150) and tighten screws (3-145) and (3-155).

**Zodiac Seats France**  
**COMPONENT MAINTENANCE MANUAL**  
**RL-SERIES**

**SUBTASK 25-11-79-420-006-A01**

- (6) Installation of the intercom handset  
(Refer to IPL FIG. 5)
- (a) Attach connector on his support (5-5) with screw (5-20), washers (5-25) and attach with nuts (5-30).
  - (b) Connect harness (5-50) to female locking (5-45), attach the cable (5-55) with washers (5-90), with screw (5-80) and safety with nut (5-91).
  - (c) Connect intercom harness (5-100) to intercom handset and safety with locking lever kit (5-115).

NOTE : Make sure that the retaining cable (5-55) is in sufficient tension.

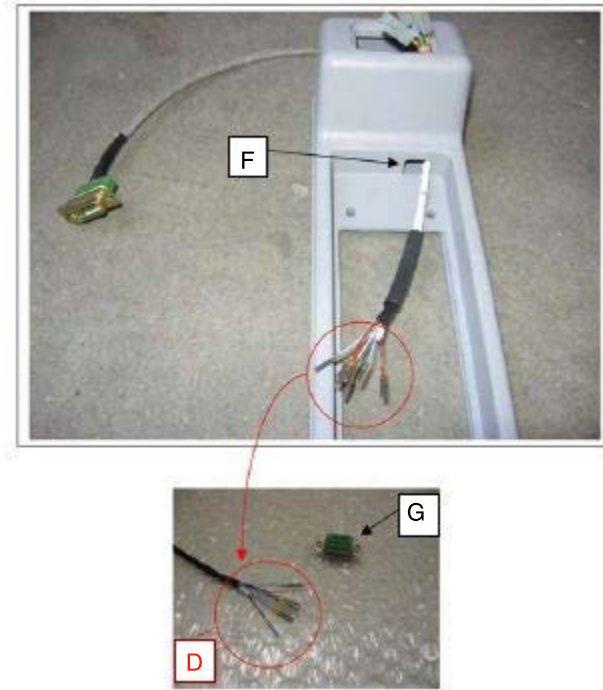
**SUBTASK 25-11-79-420-007-A01**

- (7) Installation of the headrest cable P/N 150603  
(Refer to FIG. 5)  
(Refer to Fig. 7015)  
(Refer to Fig. 7016)  
(Refer to Fig. 7017)

**CAUTION** : BEFORE ALL CONNECTION, CHECK EACH PIN (RED "R" AND BLUE "B") BETWEEN THE PLUG (A) AND THE PINS (D) WITH A MULTI- METER (CONTINUITY TEST) AND AS FOLLOW THE SHEMA BELOW.

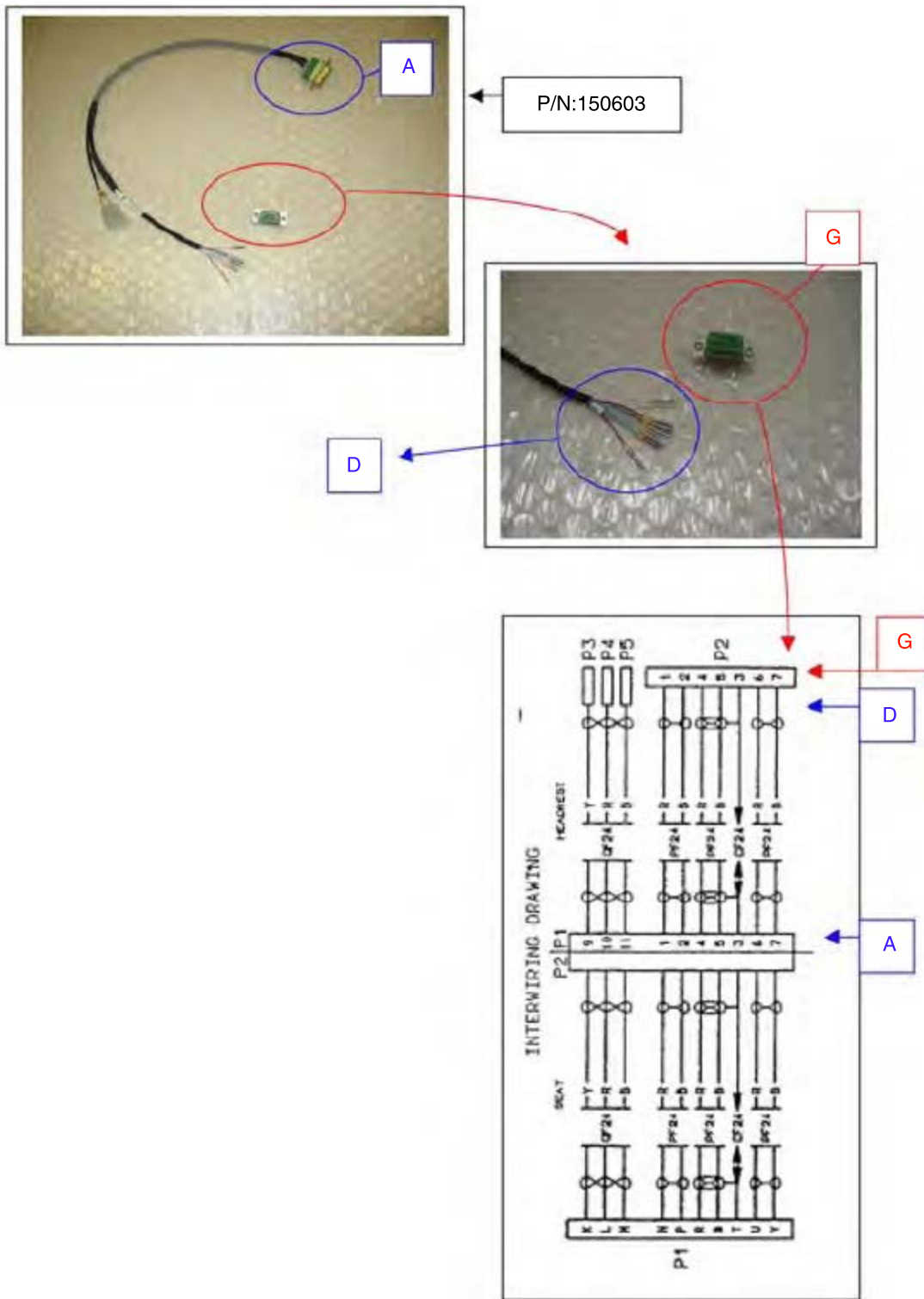
- (a) Do the continuity test, refer to the chapter "TESTING AND TROUBLE SHOOTING".
- (b) Before all connection with the plug (G), pass the headrest cable (5-80) through the hole (F).
- (c) After, connect the plug (A) and the pins (D).

**Zodiac Seats France**  
**COMPONENT MAINTENANCE MANUAL**  
**RL-SERIES**



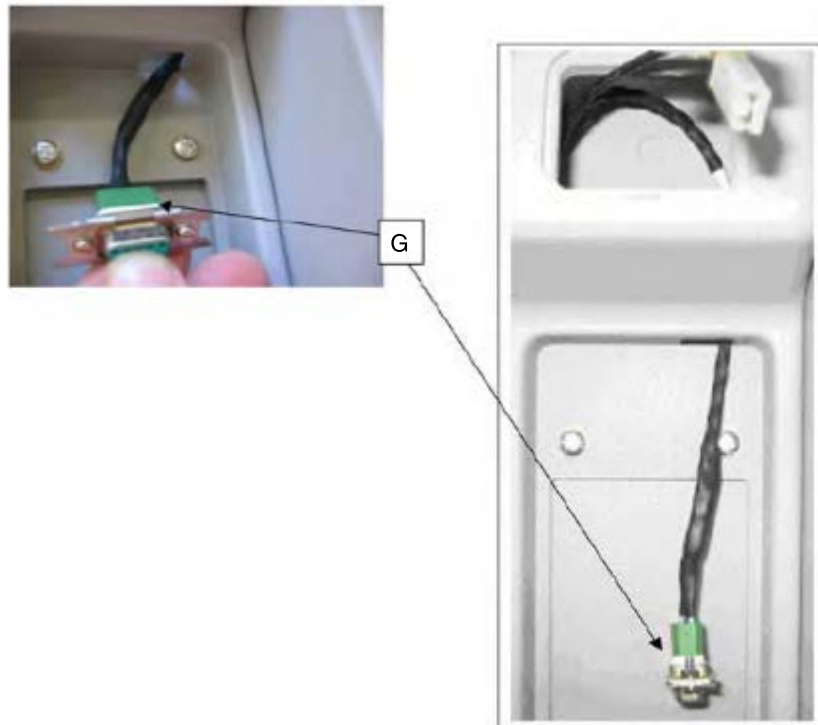
INSTALLATION OF THE HEADREST CABLE P/N 150603  
Figure 7015/GRAPHIC-25-11-79-991-715-A01

**Zodiac Seats France**  
**COMPONENT MAINTENANCE MANUAL**  
**RL-SERIES**



INSTALLATION OF THE HEADREST CABLE P/N 150603  
 Figure 7016/GRAPHIC-25-11-79-991-716-A01

**Zodiac Seats France**  
**COMPONENT MAINTENANCE MANUAL**  
**RL-SERIES**



INSTALLATION OF THE HEADREST CABLE P/N 150603  
Figure 7017/GRAPHIC-25-11-79-991-717-A01

**SUBTASK 25-11-79-420-008-A01**

- (8) Installation of the seat pan assembly  
(Refer to IPL FIG. 4)  
(Refer to IPL FIG. 3)

**CAUTION :** DURING INSTALLATION, SPRING MUST BE TENSIONED AT MAXIMUM; SPRING ENDS MUST BE PROPERLY SECURED.

- (a) Position seat pan on backrest mechanism, attach with shafts (4-50A) and tighten screws (4-60).
- (b) Position spring support (3-40) on reel support (3-30) and attach with screws (3-45).

**Zodiac Seats France**  
**COMPONENT MAINTENANCE MANUAL**  
**RL-SERIES**

**SUBTASK 25-11-79-420-009-A01**

(9) Installation of the upholstery assembly

(Refer to IPL FIG. 2)

(Refer to IPL FIG. 7)

(a) Install the foams (2-10), (2-20), (2-30) and (7-25) in their covers (2-5), (2-15), (2-25) and (7-20), then install cushions on the seat.

NOTE : The cushions are fixed with "Auto-Agrip".

**SUBTASK 25-11-79-420-010-A01**

(10) Adjustment of the stop screw

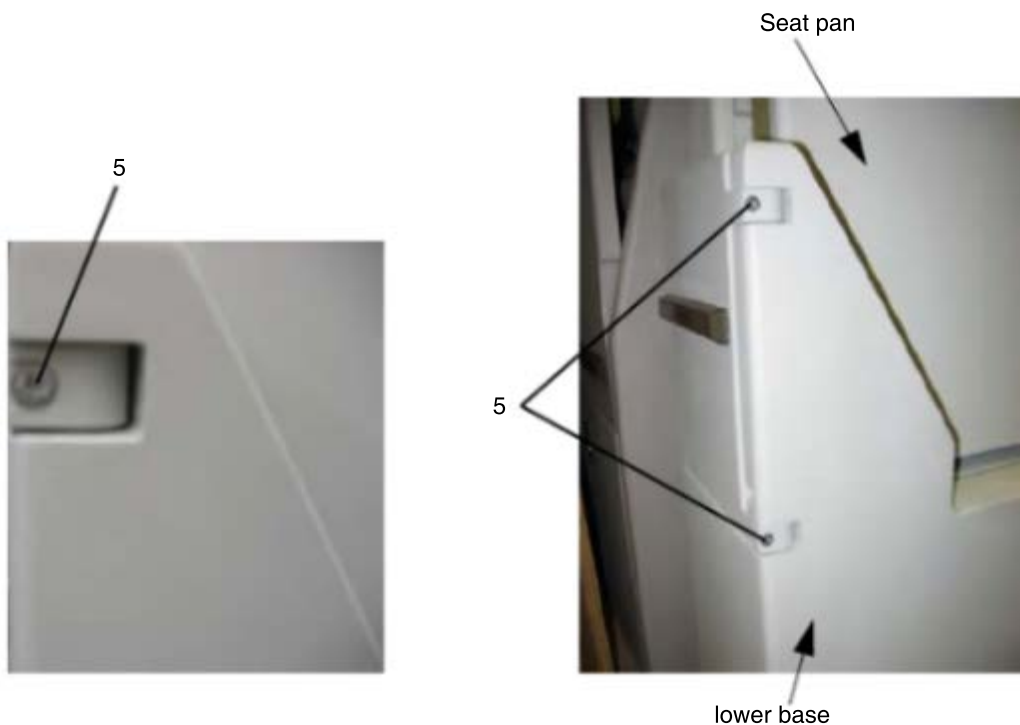
(Refer to Fig. 7018)

NOTE : It is recommended to change screw at each adjustment.

(a) Apply threadlocker PERMABOND A011 50ml on the screws (item 5).

(b) Swing the bottom of the seat towards the lower base.

(c) If the latching nipple does not drop perfectly in its housing, it is necessary to adjust by screwing or by unscrewing the two lateral screws (item 5) to have a correct alignment. Repeat step (a), (b) and (c) as necessary.



ADJUSTMENT OF THE STOP SCREW  
Figure 7018/GRAPHIC-25-11-79-991-718-A01

**Zodiac Seats France**  
**COMPONENT MAINTENANCE MANUAL**  
**RL-SERIES**

**FITS AND CLEARANCES**

**TASK 25-11-79-998-801-A01**

1. FITS AND CLEARANCES

A. Torque values

(1) General

(a) No measure of sleeves, bushings, etc. is necessary; the torque values used are in accordance with usual maintenance practices.

(b) Tightening torque:

- 1 1.030 mda.N (91.16 lbf.in) for screw in tensile stress
- 2 0.900 mda.N (79.66 lbf.in) for screw in shearing stress.
- 3 Torque is the measurement of the turning or twisting force applied to an object. Thanks to a good torque value, part remains under constant stress and is immune to fatigue. This chart shows the recommended minimum and maximum torque values applicable for each ZODIAC SEATS FRANCE screw types on non-lubricated metal parts.

NOTE : Torque values are in N.m (multiply by 8,85 to obtain in.Lbs)

AN3 to 6	AN3	AN4	AN5	AN6				
	5,1 / 7,7	11,8 / 17,8	22,7 / 34	40,7 / 60,7				
CHC class 12.9	4-40 UNC	5-40 UNC	6-32 UNC	8-32 UNC	10-24 UNC	10-32 UNF	1/4-24 UNC	1/4-28 UNF
	1,3 / 1,9	1,9 / 2,9	2,4 / 3,5	4,4 / 6,5	6,2 / 9,2	7,3 / 10,8	16,2 / 24,1	17,3 / 25,8
	5/16-18 UNC	5/16-24 UNF	3/8-16 UNC	3/8-24 UNF				
	30,6 / 45,2	34,4 / 51,3	54,3 / 80,3	62,7 / 93,6				
NAS600 to 606	4-40 UNC	6-32 UNC	8-32 UNC	10-32 UNF	1/4-28 UNF	5/16-24 UNF	3/8-24 UNF	
	1,2 / 1,9	2,3 / 3,5	4,3 / 6,5	7,2 / 11	17,3 / 26,5	34,7 / 53,2	63,6 / 97,7	
NAS514	4-40 UNC	6-32 UNC	8-32 UNC	10-32 UNF	1/4-28 UNF	5/16-24 UNF	3/8-24 UNF	
	screw	1,1 / 1,9	2,1 / 3,5	4 / 6,6	6,7 / 11,1	16,3 / 26,8	32,7 / 53,9	60 / 99,4
	nut	0,9 / 1,3	1,7 / 2,5	3,1 / 4,7	5,1 / 7,7	11,8 / 17,8	22,7 / 34	40,7 / 60,7

Table 8001 / TORQUE VALUES

**Zodiac Seats France**  
**COMPONENT MAINTENANCE MANUAL**  
**RL-SERIES**

THIS PAGE INTENTIONALLY LEFT BLANK

## **SPECIAL TOOLS, FIXTURES, EQUIPMENT AND CONSUMABLES**

### **TASK 25-11-79-940-801-A01**

#### 1. SPECIAL TOOLS, FIXTURES AND EQUIPMENT

##### A. Special tools

- (1) No special tools are necessary for maintenance or repairs to the seat. Standard tools are sufficient for these operations.

##### B. Special fixtures and equipment

- (1) No special fixtures or special equipment are necessary for maintenance or overhaul work to be carried out on the seat.

**Zodiac Seats France**  
**COMPONENT MAINTENANCE MANUAL**  
**RL-SERIES**

THIS PAGE INTENTIONALLY LEFT BLANK

**Zodiac Seats France**  
**COMPONENT MAINTENANCE MANUAL**  
**RL-SERIES**

**TASK 25-11-79-940-802-A01**

2. CONSUMABLES

NOTE : The table that follows gives the necessary consumables used to do the maintenance or overhaul work on the equipment (Refer to Table 9001).

DESIGNATION AND SPECIFICATION	SUPPLIERS CODE OR NAME AND ADDRESS	PAGE BLOCK WHERE USED
ABRASIVE PAPERS GRIT P 400, P 600		6000
ADHESIVE SCOTCH-WELD 7246-2 B/A FST	3M France Boulevard de l'Oise 95006 CERGY PONTOISE Cedex FRANCE	6000
ADHESIVE SCOTCH WELD 3532 B/A	3M France Boulevard de l'Oise 95006 CERGY PONTOISE Cedex FRANCE	6000
ADHESIVE PERMABOND 791	PIROT RUTARD INDUSTRIE 22, rue Combanaire 36000 CHATEAUROUX FRANCE	6000
ADHESIVE TAPE DOUBLE COATED POLYESTER TAPE 9495LE High load and Temperature Retaining	3M FRANCE Boulevard de l'Oise 95006 CERGY PONTOISE Cedex FRANCE	6000
ADHESIVE TAPE DOUBLE COATED TAPE 9473 High Performance	3M FRANCE Boulevard de l'Oise 95006 CERGY PONTOISE Cedex FRANCE	6000
ADHESIVE TAPE DOUBLE COATED EUROCEL 730 GDA	SICAD S.p.A. Export Market Via Caduti della Liberazione,57 21040 Uboldo (VA) ITALIA Phone +39 02.96412.1 FAX. +39 02.96412.322	6000
ADHESIVE TAPE EUROCEL SF7200	SICAD S.p.A. Export Market Via Caduti della Liberazione,57 21040 Uboldo (VA) ITALIA Phone +39 02.96412.1 FAX. +39 02.96412.322	6000
ADHESIVE TAPE ADHESIVE ALUMINIUM TAPE (width: 50 mm)	BARACHER MATHAT 11, Rue de la Gaucherie BP 320 18103 VIERZON Cedex FRANCE	6000
ALIPHATIC NAPHTA GRADE F		15000

**Zodiac Seats France**  
**COMPONENT MAINTENANCE MANUAL**  
**RL-SERIES**

DESIGNATION AND SPECIFICATION	SUPPLIERS CODE OR NAME AND ADDRESS	PAGE BLOCK WHERE USED
CLEANER ISOPROPYL ALCOHOL	PROLABO 54, rue Roger Salengro BP 115 94126 FONTENAY-SOUS- BOIS Cedex FRANCE	4000
CLEANER GRAIN ALCOHOL (ETHANOL)	PROLABO 54, rue Roger Salengro BP 115 94126 FONTENAY-SOUS- BOIS Cedex FRANCE	4000
CLEANER SYDOL SID	SOCIETE INDUSTRIELLE DE DIFFUSION B.P. 118 94003 CRETEIL Cedex FRANCE	6000
CORROSION PROTECTION SurTec 650 chromital Retouche Touch up pen	SurTec Deutschland GmbH SurTec-Strasse 2 D-64673 Zwingenberg <a href="http://www.surtec.com">www.surtec.com</a>	6000
DE-RUSTER ARDROX 396/1	BRENT S.A. 280 rue J.B. Godin 02200 VILLENEUVE ST GERMAIN FRANCE	6000
GREASE GREASE 182 DS	UNIL S.A. Boulevard Jean Moulin BP 20055 49402 SAUMUR Cedex FRANCE	15000
LUBRICANT WD40 AEROSOL	WD-40 COMPANY LTD P.O. Box 440, MILTON KEYNES, BUCKS MK113LF ENGLAND	5000
PAINT MAPAERO FRS40 SEMI GLOSS FINISH	MAPAERO AEROSPACE COATINGS 10 avenue de la Rijole 09100 Pamiers FRANCE	6000
SEALANT, High Temperature Retaining LOCTITE n°222 purple (low)	LOCTITE Corporation 705, West Mountain Road Newington, Conn. 06111 U.S.A.	6000
SEALANT, High Temperature Retaining LOCTITE n°243 blue (normal)	LOCTITE Corporation 705, West Mountain Road Newington, Conn. 06111 U.S.A.	6000 7000
SEALANT, High Temperature Retaining LOCTITE n°262 red (medium hard)	LOCTITE Corporation 705, West Mountain Road Newington, Conn. 06111 U.S.A.	6000

**Zodiac Seats France**  
**COMPONENT MAINTENANCE MANUAL**  
**RL-SERIES**

DESIGNATION AND SPECIFICATION	SUPPLIERS CODE OR NAME AND ADDRESS	PAGE BLOCK WHERE USED
SEALANT, High Temperature Retaining LOCTITE n°270 or n°271 green (strong)	LOCTITE Corporation 705, West Mountain Road Newington, Conn. 06111 U.S.A.	6000
TOUCH UP PEN Liberon Mahogany Touch Up Pen 3 Point	LIBERON B.P. 1 F-39210 Domblans FRANCE	6000

Table 9001 / CONSUMABLES

**Zodiac Seats France**  
**COMPONENT MAINTENANCE MANUAL**  
**RL-SERIES**

THIS PAGE INTENTIONALLY LEFT BLANK

## STORAGE

### **TASK 25-11-79-550-801-A01**

#### 1. STORAGE

A. Reason for the job

**WARNING : DO NOT LIFT AND MOVE THE SEATS BY THE ARMRESTS.**

**CAUTION : DO NOT PUT THE SEAT LEGS ON CONCRETE GROUND OR ON STEEL SURFACES WHICH ARE NOT PROTECTED AGAINST CORROSION.**

(1) The seat is essentially corrosion resistant and special preservation is not necessary.

B. Job set-up information

NOTE : You can use equivalent alternatives for items in the lists.

(1) Tools, features and equipment  
 (Refer to Table 15001)

USAGE	QTY	DESIGNATION
No specific	1	Heat-sealing machine
No specific	1	Air vacuum pump

Table 15001 / TOOLS, FEATURES AND EQUIPMENT

(2) Consumables  
 (Refer to Table 15002)

REFERENCE	DESIGNATION
No specific	Heat-sealing cloth envelope
No specific	Labels
No specific	Aliphatic naptha, grade F
No specific	Greaseproof paper
No specific	Grease 182 DS
No specific	Desiccant bag
No specific	Adhesive tape

Table 15002 / CONSUMABLES

C. Job set-up

(1) Make sure that the equipment is free of damage.

**Zodiac Seats France**  
**COMPONENT MAINTENANCE MANUAL**  
**RL-SERIES**

- (2) Install the protective materials on the equipment with their blanking plugs.

D. Procedure

**SUBTASK 25-11-79-530-001-A01**

(1) Preservation

- (a) Grease lightly the hinge points with grease 182 DS.
- (b) Use a soft cloth moistened with aliphatic naphtha, grade F and clean the external parts of the seat.

**SUBTASK 25-11-79-530-002-A01**

(2) Storage

- (a) For long storage, wrap seat assembly in waterproof wrapping paper or a plastic cover .
- (b) Identify seat assembly part number and date of overhaul on a tag or in a convenient location on the seat assembly wrapper.
- (c) Store seat assembly in cool, dry put away from sunlight and heat sources.
- (d) No loads should be put on the stored seat, in particular the seat should not be stacked.
- (e) After a year of storage, check all the seat systems as described in "**CHECK**" and "**TESTING AND FAULT ISOLATION**" chapters of this manual.

# **ILLUSTRATED PARTS LIST**

**Zodiac Seats France**  
**COMPONENT MAINTENANCE MANUAL**  
**RL-SERIES**

THIS PAGE INTENTIONALLY LEFT BLANK

## **INTRODUCTION TO THE ILLUSTRATED PARTS LIST**

### **TASK 25-11-79-990-801-A01**

#### **1. INTRODUCTION**

##### **A. General**

- (1) This Illustrated Parts List identifies the equipment assemblies, sub-assemblies and parts.
- (2) It agrees with the rules set out in ATA 2200.
- (3) From time to time, the illustrated parts list is revised to include additions, cancellations and modifications in equipment. Markups are used to do these changes.

##### **B. How to use the IPL**

###### **(1) Publication format**

###### **(a) The IPL is set out in the order that follows:**

- Introduction,
- Vendor Code Index (VCI),
- Equipment Designator Index (EDI) (if applicable),
- Detailed Parts List (DPL).

###### **(b) Equipment designator index**

- 1 This index contains the related reference and diagrams for each circuit symbol and the related marker.
- 2 The “Equipment Designator Index” is alphanumerical and is set out in the order that follows:
  - dash,
  - letters from A thru Z,
  - numerals from 0 thru 9.

###### **(c) Vendor Code Index**

- 1 The “Vendor Code Index” is alphanumerically set out in relation to the manufacturer's code. This list includes the names and addresses of all manufacturers referred to in the detailed nomenclature.

###### **(2) Identification of a component part**

###### **(a) You can use different procedures to identify a component part.**

###### **1 To find a PN with a known Equipment Designator Index:**

- a This index specifies the item reference and the CSN related to a given symbol.

**Zodiac Seats France**  
**COMPONENT MAINTENANCE MANUAL**  
**RL-SERIES**

- b A circuit symbol has:
    - 1 or 2 letters that specify the type of component part (letter symbol),
    - 1 or 2 numerals that show the sequence code of the component part in the related sub-assembly.
  - c Application: R10 - 6.
  - d R = Letter Symbol.
  - e 10 = Order No.
- 2 To find a PN with the illustrated nomenclature:
- a Find the illustration that shows the breakdown of the assembly.
  - b Find the part and record the number.
  - c Look in the parts list related to the illustration for the item number. This will also give you the PN and the description.

C. How to use the Detailed Parts List

- (1) The “Detailed Parts List” includes the nomenclature and illustrations of the unit components.

1st column:	Figure and Item/Item variant numbers
2nd column:	Part Number
3rd column:	Nomenclature
4th column:	Effectivity code
5th column:	Units for each Assembly

- (2) Figure and Item Numbers
- (a) An item number is given to each part-numbered assembly, sub-assembly or item in the parts list.
  - (b) The figure number, which includes the items in the list, is given on the first line at the top of each page.
  - (c) Assemblies, sub-assemblies and parts in the list which are not illustrated are identified with a dash (-) before the item number.
- (3) Manufacturer's Part Number
- (a) A manufacturer's part number is given to each assembly, sub-assembly and detail parts (illustrated or not).

**Zodiac Seats France**  
**COMPONENT MAINTENANCE MANUAL**  
**RL-SERIES**

(4) Nomenclature

(a) The nomenclature is indented to show the item relationship as follows:

1	2	3	4	5	6	7
Assembly						
.	Detail parts of assembly					
.	Subassembly					
	Attachment parts and/or storage parts of sub-assembly					
	*	*	*			
.	.	Detail parts of sub-assembly				
	Sub-subassembly					
	Attachment parts and/or storage parts of sub-subassembly					
	*	*	*			
.	.	.	Detail parts of sub-subassembly			
	etc.					

- (b) A vendor code is given for all items or articles that are not made by the prime manufacturer of the assembly.
- (c) This vendor code or the abbreviation "NP" (Non Procurable) is written at the far right-hand side in the first line of the nomenclature.

(5) Effectivity Code

- (a) In a figure, the part number identified by an effectivity code shows that the coded part must be used with other parts identified with the same alpha designation. Coded parts can also be used with all other non-coded parts (no alpha designation).
- (b) The effectivity code must start with A and continue with B, C, ... Z.

(6) Units for each Assembly

- (a) The units for each assembly column shows the number of necessary units for the subsequent higher assembly. In some cases, the letters "RF" (Reference) or "AR" (As Required) replace this information.

(7) Abbreviations

- AMDT ..... Amendment
- AR ..... As Required
- DET ..... Detail
- LH and RH ..... Left and Right
- NHA ..... Next Higher Assembly
- NP ..... Not Procurable
- OLD PN ..... Old Part number

**Zodiac Seats France**  
**COMPONENT MAINTENANCE MANUAL**  
**RL-SERIES**

- ORDER OVERLIGHT MPN ..... Actual part number is more than 15 characters
- OVERSIZE ..... Oversize repair parts
- R ..... Modified
- RF ..... For Reference
- SEL FROM ..... Select From parts
- POST SB ..... Post Service Bulletin
- POST SL ..... Post Service Letter
- REPLD BY ..... Replaced by : The part in the part number column is replaced and is two ways interchangeable with the part number shown in the notation.
  
- REPLS ..... Replaces: The part in the part number column replaces and is two ways interchangeable with the part number shown in the notation.
  
- SUPSD BY ..... Superseded by : The part in the part number column is replaced and is one way interchangeable with the part number shown in the notation.
  
- SUPSDS ..... Supersedes: The part in the part number column replaces and is one way interchangeable with the part number shown in the notation.
  
- UNDERSIZE ..... Undersize repair parts

(8) Updating

- (a) When an item is revised, added or deleted, a vertical stroke is shown in the RH margin on RH pages, LH margin on LH pages (the page issue date changes).
- (b) Minor editorial revisions such as spelling errors, punctuation etc., are not recorded or otherwise identified.

(9) Part numbers codification

- (a) Standard Part Numbers

Standard international standard part numbers is mentioned in Part Number column: i.e. VIHCBCE4NCX1-4.

Internal ZODIAC SEATS FRANCE's standard parts numbers include two additional digits before the international standard part numbers:

**Zodiac Seats France**  
**COMPONENT MAINTENANCE MANUAL**  
**RL-SERIES**

FIG .ITEM	PART NUMBER	AIRLINE STOCK NUMBER	NOMENCLATURE 1234567
10	VIHCBCME4NCX1-4		..SCREW (F001348)
35	RISIM11P4-8		.RIVET (F007574)
40	QUNW-11-27		.PAD (F315012)

Table 10001 / EXAMPLE OF DETAILED PARTS LIST

- (b) VIHCBCME4NCX1-4 = HCBCME4NCX1-4  
RISIM11P4-8 = SIM11P4-8  
QUNW-11-27 = NW-11-27

NOTE : These part numbers are two ways interchangeable.  
For ZODIAC SEATS FRANCE CODE and DESCRIPTION, refer to the Table below:

ZODIAC SEATS FRANCE CODE	DESCRIPTION	ZODIAC SEATS FRANCE CODE	DESCRIPTION
AA	Self Fastener	HL	HELICOIL
AD	GLUE	IN	INSERT
ADDF	ADHESIVE	J0	SEAL
B0	WOOD	M0	FOAM
BILLE	BALL	P0P	POP RIVET
BR0	PIP PIN	PD	NOTIONS ARTICLE
C0	COLLAR	PE	PAINT
CI	CIRCLIP	PE / PC / RE	CHIMICAL PRODUCT
CLE	DRIVER TOOL	QU	SPECIAL HARDWARE
CR	PROFILE ANGLE	R0	WASHER
CT	DRY TINT	RI	RIVET
CU	LEATHER	RK	RIV NUT
EC	NUT	RL	BEARING
EE	ELECTRICAL EQUIPMENT	TH	THERM RAW MATERIAL
ET	PLACARD	TL	SHEET METAL
FI	LATCH	TR	TUBE

**Zodiac Seats France**  
**COMPONENT MAINTENANCE MANUAL**  
**RL-SERIES**

ZODIAC SEATS FRANCE CODE	DESCRIPTION	ZODIAC SEATS FRANCE CODE	DESCRIPTION
FLC	THREAD	VE	HYDROLOCK
GA	SLEAVE	VEL	Self Fastener
GL	TRACK	VI	SCREW
GP or G0 or GO	PIN		

Table 10002 / PART NUMBERS ZODIAC SEATS FRANCE CODE

(c) Screws and washers codification

1 Refer to SIL 16-13

(10) Parts identification

Color codes have been introduced in ZODIAC SEATS FRANCE part numbers for all painted parts and covers:

(a) Painted parts (color code PXX)

Example: P/N 153406 becomes P/N 153406PXX

(b) Covers (color code CXX)

Example: P/N 153700-02 becomes P/N 153700-02CXX

How to use these new color codes:

(c) Identify the necessary part number in the «Part Number» column of the detailed parts list.

Example on [IPL, Fig.3](#) item 120: Door assembly, stowage P/N 153406PXX

(11) Refer to the cross reference [Table 6002 \(subtask 25-11-79-350-009-A01\)](#) for correct color code depending on the seat for which the part is necessary.

Example: Seat P/N RL27FYU3YS00047, paint color code is P05 with upholstery code C06.

The part number to be ordered for this seat is therefore P/N 153406P05 for painted parts.

The part number to be ordered for this seat is therefore P/N 153720C06 for covers.

(12) Miscellaneous

Auto-Agrip is supplied in 25 m (984 in.) or 50 m (1968 in.) Tape.

(13) How to use the parts list

(a) The part number is known

1 Look for the part number in the Alphanumerical index.

2 Find the part number in the Alphanumerical index. Note figure and item numbers.

3 Turn to the figure.

**Zodiac Seats France**  
**COMPONENT MAINTENANCE MANUAL**  
**RL-SERIES**

- 4 Locate the part on illustration and in the parts list by item number.
- (b) The part number is unknown
- 1 Refer to figure **1**, **1A**, **1B**, **1C** and **1D** and look for the title of figure in which the part should be shown.
  - 2 Note the figure number.
  - 3 Turn to the illustration and find the part.
  - 4 Refer to corresponding item number in the parts list.

**Zodiac Seats France**  
**COMPONENT MAINTENANCE MANUAL**  
**RL-SERIES**

THIS PAGE INTENTIONALLY LEFT BLANK

**Zodiac Seats France**  
**COMPONENT MAINTENANCE MANUAL**  
**RL-SERIES**

**VENDOR'S CODE INDEX**

VENDOR CODE	NAME ADDRESS
35FB9	AMSAFE INC. DBA AMSAFE AVIATION 1043 NORTH 47TH AVE 85043-1817 PHOENIX ETATS-UNIS
45402	PACIFIC SCIENTIFIC CO HTL KIN TECH DIV 22715 SAVI RANCH PKY PB 87019 YORBA LINDA CA 92687-7019 USA
72962	HARVARD INDUSTRIES INC 2502 N ROCKY POINT DR SUITE960 TAMPA FL 33607 USA
80205	NATIONAL AEROSPACE STANDARDS COMMITTEE AEROSPACE INDUSTRIES ASSOCIATION OF AMERICA INC 1250 EYE ST NW WASHINGTON DC 20005 USA
88044	AERONAUTICAL STANDARDS GROUP DEPT OF NAVY AND AIR FORCE WASHINGTON DC 10001 USA
96906	MILITARY STANDARDS PROMULGATED BY MILITARY DEPARTMENTS UNDER AUTHORITY OF DEFENSE STANDARDIZATION MANUAL 4120 3-M WASHINGTON DC USA
C1694	GEWERKSCHAFT EISENHUETTE WESTFALIA GERMANY INDUSTRIESTRASSE 1 44534 LUENE
D8518	DAIMLER-BENZ AEROSPACE AIRBUS GMBH WERK HAMBURG-FINKENWERDER KREETSLAG 10 POSTFACH 95 01 09 21111 HAMBURG GERMANY
F0465	ZODIAC SEATS FRANCE ZI LA LIMOISE RUE ROBERT MARECHAL SENIOR 36100 ISSOUDUN FRANCE

**Zodiac Seats France**  
**COMPONENT MAINTENANCE MANUAL**  
**RL-SERIES**

THIS PAGE INTENTIONALLY LEFT BLANK

**25-11-79**

VCI 10001 Page 2  
Jul 23/18

**Zodiac Seats France**  
**COMPONENT MAINTENANCE MANUAL**  
**RL-SERIES**

**ALPHA NUMERICAL INDEX**

PART NUMBER	AIRLINE PART NUMBER	FIGURE NUMBER	ITEM NUMBER	TOTAL REQUIRED
00-4368		1A	35	1
		1C	46	1
00-4634		1A	- 40	2
		1C	- 47	2
00-5008		1	30	1
		1A	45	1
		1B	45	1
		1C	- 45A	1
			45	2
		1D	35	1
1-08-065210		2A	- 45D	1
125-500-07		3	105	1
147102VI14		4	25	5
150105PXX		3	185	2
150110		3	- 175	2
150500-05		4	50A	2
150500-09		3	165	2
150603		5	100	1
150613		5	60	6
150615		5	- 55A	1
150616PXX		5	105	1
		7	65	1
150617		5	- 95	1
150621		5	- 40A	1
150925		2A	- 45S	1
150930		2A	- 45R	1
150965		2A	- 45T	1
151240-03		3	220	2
153102-16PXX		3	- 5D	1
153106-3PXX		3	- 5	1
		6	5	1
153106-4PXX		6	- 5B	1
153106-5PXX		3	- 5B	1
		6	- 5C	1
153106-6PXX		3	- 5C	1
		6	- 5A	1
153106-8PXX		6	- 5D	1
153106-9PXX		3	- 5A	1
153109PXX		3	40	2
153110		3	15	1
153111		3	95	1
153112		3	85	1
153113		3	160	1
		6	20	1
153114PXX		3	270	1
153116-04PXX		3	70	1
153116-5PXX		3	7	1

**Zodiac Seats France**  
**COMPONENT MAINTENANCE MANUAL**  
**RL-SERIES**

PART NUMBER	AIRLINE PART NUMBER	FIGURE NUMBER	ITEM NUMBER	TOTAL REQUIRED
153117PXX		5	5	1
153200-01PXX		4	15	1
153200-02		4	35	1
153200-04		4	40	1
153200PXX		4	- 5	1
153201PXX		4	10	1
153240		3	- 195	1
153240-01		3	- 200	1
153240-02		3	- 210	1
153240-03		3	215	1
153240-04		3	- 210A	1
153240-05		3	215A	1
153240-06		3	- 200A	1
			- 200B	2
153241		3	- 200C	1
153241-01		3	- 210B	1
153241-02		3	- 215B	1
153242		3	- 200D	2
153242-01		3	- 210C	1
153242-02		3	- 215C	1
153262		3	- 195B	1
153263		3	- 195C	1
153300-03PXX		3	60	1
153300-09PXX		3	20A	1
153300-10PXX		3	20	1
153301PXX		3	- 6A	1
153308-1PXX		3	30	1
153308-3PXX		3	- 30B	1
153308-4PXX		3	- 30C	1
153309-1PXX		3	- 30A	1
153313PXX		3	6	1
153314PXX		3	- 6B	1
153315PXX		3	- 6C	1
153317PXX		3	- 6D	1
153400-01PXX		3	110	2
153400-02		3	135	2
153400-03PXX		3	140	1
153406PXX		3	125	1
153500-02		3	245	1
153500-03		3	235	1
153500-04		3	240	1
153500-05		4	- 50	2
153500-06		3	230	1
153500-07		3	150	1
153500-08		4	45	2
153500-09		4	55A	1
153500-10		4	55	1

**Zodiac Seats France**  
**COMPONENT MAINTENANCE MANUAL**  
**RL-SERIES**

PART NUMBER	AIRLINE PART NUMBER	FIGURE NUMBER	ITEM NUMBER	TOTAL REQUIRED
153500-12		3	240B	1
153500-13		3	245A	1
153500-14		3	240A	1
153500-15		3	230A	1
153604		5	- 55	1
153605		5	50	1
153606		5	- 40	1
153616		5	- 40B	1
153700-01		2	10	1
		2A	10	1
		2B	10	1
153700-02CXX		2	5	1
		2A	5	1
		2B	5	1
153710-01		2	20	1
		2A	20	1
		2B	20	1
153710-02CXX		2	15	1
		2A	15	1
		2B	15	1
153712-1		7	25C	1
153712-5CXX		7	20C	1
153712CXX		7	- 15A	1
153720-01		2A	30	1
		2B	30	1
153720-02CXX		2A	25	1
		2B	25	1
153727-01CXX		7	20	1
153727-06CXX		7	- 20B	1
153727-08		2A	- 30B	1
		2B	- 30B	1
153727-10CXX		2A	- 25B	1
		2B	- 25B	1
153727-12		2A	- 20A	1
		2B	- 20A	1
153727-14CXX		2A	- 15A	1
		2B	- 15A	1
153727-17		2A	- 10A	1
		2B	- 10A	1
153727-18CXX		2A	- 5A	1
		2B	- 5A	1
153727-19		7	25	1
153727-21		7	- 25B	1
153730-01		2	30	1
		2A	- 30A	1
		2B	- 30A	1
153730-02CXX		2	25	1

**Zodiac Seats France**  
**COMPONENT MAINTENANCE MANUAL**  
**RL-SERIES**

PART NUMBER	AIRLINE PART NUMBER	FIGURE NUMBER	ITEM NUMBER	TOTAL REQUIRED
		2A	- 25A	1
		2B	- 25A	1
153747-01CXX		7	20A	1
153747-02CXX		7	- 15	1
153747-05		7	25A	1
153812		2	35	1
		7	5C	1
153812-1PXX		7	10C	1
153818-000-0		2	- 35A	1
		7	5F	1
153818-100-0PXX		7	10D	1
153827-06PXX		7	10	1
153827-2		2A	31	1
		2B	- 31A	1
		7	5	1
153827-3		2A	- 31B	1
		2B	- 31B	1
		7	- 5B	1
153847-11		7	- 30	2
153847-12		7	- 35	1
153847-13		7	- 40	1
153847-14		7	- 45	2
153847-3		2A	- 31A	1
		2B	31	1
		7	5A	1
153847-30PXX		7	10B	1
153847-31PXX		7	- 10A	1
153847-4		2B	- 31C	1
		7	- 5D	1
153849-000-1		2A	- 31C	1
		2B	- 31D	1
		7	- 5E	1
153849-000-3		2B	- 31E	1
		7	- 5G	1
153849-100-1PXX		7	10E	1
153951CXX		1A	- 55B	1
			- 55C	1
		1B	- 55C	1
			- 55H	1
		1C	- 55C	1
		1D	- 45	1
			- 45C	1
			- 45L	1
			- 49	1
153952CXX		1A	- 55A	1
			- 55D	1
		1B	- 55A	1

**Zodiac Seats France**  
**COMPONENT MAINTENANCE MANUAL**  
**RL-SERIES**

PART NUMBER	AIRLINE PART NUMBER	FIGURE NUMBER	ITEM NUMBER	TOTAL REQUIRED
			- 55G	1
		1C	- 55A	1
		1D	- 45B	1
			- 45D	1
			- 45G	1
			- 45N	1
			- 49A	1
153953-01CXX		1	- 45	1
		1A	- 60	1
		1B	- 56	1
		1C	- 60	1
		1D	- 46	1
153953-02		1	- 50	1
		1A	- 65	1
		1B	- 57	1
		1C	- 65	1
		1D	47	1
153953-1CXX		1A	- 55E	1
		1D	- 45A	1
153953CXX		1	- 40	1
		1A	- 55	1
		1B	- 55	1
			- 55D	1
		1C	- 55B	1
		1D	- 45E	1
			- 45H	1
			- 45M	1
			- 45Q	1
153954CXX		1B	- 55B	1
			- 55F	1
		1D	- 45F	1
			- 45P	1
153955CXX		1D	- 45K	1
153956CXX		1D	- 45J	1
153962CXX		1B	- 65	1
		1D	- 55	1
			- 55A	1
			- 55B	1
153971CXX		1A	- 55F	1
		1B	- 55E	1
		1C	- 55	1
160100-61		3	- 265	2
160241-03		3	- 220A	2
183100-160-2		3	235A	1
183100-165-0		3	245B	1
2100014-03-245		2A	- 45E	1
2100018-03-048		2A	45	1

**Zodiac Seats France**  
**COMPONENT MAINTENANCE MANUAL**  
**RL-SERIES**

PART NUMBER	AIRLINE PART NUMBER	FIGURE NUMBER	ITEM NUMBER	TOTAL REQUIRED
2100018-03-104		2A	- 45P	1
2100018-03-245		2A	- 45K	1
2100018-13-104		2A	- 45L	1
2100018-13-245		2B	- 45A	1
395E01-023		1	35	1
395E01-041		1A	50	1
		1C	50B	1
395E01-047		1A	- 50G	1
		1D	- 40Y	1
395E01-050		1A	- 50L	1
395E01-052		1A	- 50N	1
395E01-054		1A	- 50S	1
		1B	- 50U	1
		1D	- 40E	1
395E01-059		1A	- 50T	1
		1D	40B	1
395E01-060		1B	50	1
395E01-062		1B	- 50A	1
395E01-064		1B	- 50B	1
		1C	- 50F	1
395E01-071		1B	- 50G	1
		1D	- 40Q	1
395E01-078		1B	- 50R	1
395E01-084		1D	- 40S	1
395E02-054		1D	40G	1
395E02-066		1B	- 50D	1
395E02-074		1B	50J	1
		1D	- 40T	1
395E03-009		1A	50A	1
		1C	50A	1
395E03-047		1A	- 50B	1
		1D	- 40L	1
395E03-048		1A	- 50F	1
395E03-049		1A	- 50K	1
		1B	- 50T	1
395E03-051		1A	- 50M	1
395E03-054		1A	- 50R	1
		1B	- 50P	1
		1D	- 40D	1
395E03-055		1A	- 50Q	1
		1D	- 48	1
395E03-056		1A	- 50U	1
		1D	- 40V	1
395E03-057		1B	50C	1
395E03-061		1A	- 50X	1
		1D	- 40X	1
395E03-074		1B	- 50K	1

**Zodiac Seats France**  
**COMPONENT MAINTENANCE MANUAL**  
**RL-SERIES**

PART NUMBER	AIRLINE PART NUMBER	FIGURE NUMBER	ITEM NUMBER	TOTAL REQUIRED
395E03-076		1D	- 40U	1
		1B	- 50L	1
			- 50X	1
395E03-079		1D	- 40W	1
		1B	- 50V	1
		1D	- 40H	1
395E03-080		1B	- 50Q	1
		1D	- 40Z	1
		1B	- 50W	1
395E03-081		1D	40C	1
		395E03-082		
		1D	- 40R	1
395E03-084		1A	- 50D	1
		1C	- 50E	1
		395E03-099		
395E04-001		1A	50C	1
		1C	50C	1
		395E04-046		
395E04-046		1A	- 50E	1
		1C	- 50D	1
		395E04-047		
395E04-053		1A	- 50H	1
		1D	- 40K	1
		395E04-054		
395E04-057		1A	- 50P	1
		1B	- 50N	1
		1D	- 40F	1
395E04-067		1A	- 50W	1
		1D	40	1
		395E04-071		
395E04-073		1B	50E	1
		1B	- 50F	1
		1D	- 40A	1
395E04-077			- 40M	1
		1B	- 50M	1
		1B	- 50S	1
395E04-085		1D	- 40J	1
		1D	- 48A	1
		395E05-071		
395E06-058		1D	40P	1
		1A	50V	1
		1B	50H	1
395E06-143		1C	50	1
		395E07-071		
		1D	40N	1
395E08-036		1B	- 50Y	1
		1D	- 48B	1
		395E09-071		
395F02-036		1B	- 50Z	1
		1D	- 48C	1
		1B	60	1
395F02-054		1D	- 50A	1
		1D	50	1
		395F02-055		
395F02-074		1D	- 50B	1
		1B	- 60A	1
		395F08-036		
395F08-036		1B	- 60B	1

**Zodiac Seats France**  
**COMPONENT MAINTENANCE MANUAL**  
**RL-SERIES**

PART NUMBER	AIRLINE PART NUMBER	FIGURE NUMBER	ITEM NUMBER	TOTAL REQUIRED
4005-1-011-2253		1D	- 50C	1
4005-1-011-2253		2B	- 45G	1
4005-1-011-2256		2B	- 45L	1
4005-1-011-2258		2B	- 45D	1
4005-1-011-3294		2A	- 45Q	1
		2B	- 45H	1
4005-1-011-8016		2B	- 45J	1
4005-1-011-8026		2B	- 45F	1
4005-1-011-9001		2B	- 45C	1
4005-1-011-9006		2	55	1
		2B	- 45E	1
4005-1-021-2271		2B	- 45M	1
4005-1-021-8026		2B	- 45P	1
4005-1-021-9006		2	- 55A	1
		2B	- 45N	1
502655-403-9006		2A	- 45C	1
502868-411-2258		2A	- 45M	1
504303-401-3294		2A	- 45A	1
504303-405-1860		2A	- 45J	1
504303-405-2253		2B	- 45B	1
504303-405-2266		2A	- 45N	1
504303-405-7468		2B	45	1
504303-405-8016		2A	- 45G	1
504303-405-8026		2A	- 45F	1
504303-405-9001		2A	- 45H	1
504303-405-9006		2A	- 45B	1
		2B	- 45K	1
AACR020-10		7	- 60C	1
			- 60J	1
AACR025-10A		3	250A	1
AACR050-10A		3	255A	1
AAVEL16-10		7	- 60E	1
AAVEL16-315A		3	- 227A	1
			- 228A	2
AAVEL20-10		7	- 60A	1
			- 60G	1
ADDF19		3	- 205	2
		7	- 46	1
AN3-3A		5	- 10	2
AN316-4R		4	30	1
AN4-6A		3	170	2
AN565A440H2		3	100	1
			155	1
AN565A632H3		4	60	2
C0PLT1MM		5	75	11
ECM2		5	30	4
EE8630-01-060		5	45	2

**Zodiac Seats France**  
**COMPONENT MAINTENANCE MANUAL**  
**RL-SERIES**

PART NUMBER	AIRLINE PART NUMBER	FIGURE NUMBER	ITEM NUMBER	TOTAL REQUIRED
EED110278		5	115	2
EELKCRNATUREL		5	70	11
F0432879		3	- 220C	2
		7	- 45A	2
F0451580		3	- 195D	1
F0451581		7	- 30A	2
F0452624		3	- 200F	1
F0452625		3	- 200E	1
F0452628		3	- 215D	1
F0452629		3	- 215E	1
F0452630		7	- 40A	1
F0452633		3	- 210D	1
F0452634		3	- 210E	1
F0452635		7	- 35A	1
F0452636		7	- 5H	1
F22NM82		5	91	1
F22NTM82		3	120	4
			80	2
GPMECAE2-5X25		3	247	1
GPMECAE4X25		3	246	3
MS27039-08-4		3	145	6
MS35650-302		3	10	1
NAS1149D0316K		5	- 15A	2
NAS1149D0332K		5	- 15B	2
NAS1149F0332P		3	- 55	8
		5	- 15	2
NAS1149F0363P		4	20	3
NAS1149FN816P		7	75	2
NAS1149FN832P		5	90	3
NAS1306-21		6	10	4
NAS1306-30		6	- 15	2
NAS514P1032-6		3	260	2
NAS514P1032-7		3	- 8B	18
NAS514P1032-8		3	50	8
NAS514P632-8		3	190	4
NAS514P832-10		3	115	4
NAS514P832-12		3	45	4
NAS514P832-6		3	35	14
NAS517-2-0		3	- 180	2
NAS602-6		3	75	2
NAS602-7		3	65	12
		5	80A	1
NAS602-8		5	80	1
		7	70	2
P0PTAPD046BS		7	- 55	4
P0PTLPD440BS		7	- 50	6
P0PTLPK435BS		3	- 8A	8

**Zodiac Seats France**  
**COMPONENT MAINTENANCE MANUAL**  
**RL-SERIES**

PART NUMBER	AIRLINE PART NUMBER	FIGURE NUMBER	ITEM NUMBER	TOTAL REQUIRED
QUNLM302-08		3	25	2
R0ZU2		5	25	4
R0ZU3		3	90	1
		5	- 65	2
			120	2
RI062314850901		3	- 226	2
RIL21217ID3209		3	- 8	12
RITY8P2N0IR		3	- 225	4
			- 225A	5
			- 225B	1
RL100		1D	- 5D	1
		2B	- 1D	RF
RL107		1C	- 5D	1
		1D	- 5K	1
		2B	- 1K	RF
RL110		1D	- 10C	1
		3	- 1J	RF
RL111		1A	- 5T	1
		1D	5A	1
		2B	- 1N	RF
RL112		1	- 5A	1
		2	- 1A	RF
RL113		1C	- 5B	1
		2B	- 1P	RF
RL114		1C	- 5C	1
		2B	- 1Q	RF
RL115		1C	- 5E	1
		2B	- 1R	RF
RL116		1C	- 5F	1
		2B	- 1S	RF
RL117		1D	- 5N	1
		2B	- 1T	RF
RL118		1D	- 10D	1
		3	- 1K	RF
RL119		1D	- 30D	1
		7	- 1E	RF
RL120		1C	- 5G	1
		2B	- 1U	RF
RL12FYA3YS00023		1	- 1	RF
RL12FYT3YS00023		1	- 1A	RF
RL130		1A	- 5A	1
		2A	- 1A	RF
RL136		1A	- 5F	1
		1B	- 5H	1
		2A	- 1G	RF
RL137		1	15	1
		1A	15	1

**Zodiac Seats France**  
**COMPONENT MAINTENANCE MANUAL**  
**RL-SERIES**

PART NUMBER	AIRLINE PART NUMBER	FIGURE NUMBER	ITEM NUMBER	TOTAL REQUIRED
		1B	15	1
		1C	15	1
		1D	15	1
		4	- 1	RF
RL138		1	20	1
		6	- 1A	RF
RL139		1	25	1
		7	- 1C	RF
RL140		1A	- 5B	1
		1B	- 5B	1
		2A	- 1B	RF
RL141		1A	- 5D	1
		2A	- 1C	RF
RL142		1A	- 5E	1
		2A	- 1F	RF
RL144		1A	- 5M	1
		2A	- 1N	RF
RL145		1A	10	1
		1B	10	1
		1C	10	1
		1D	- 10B	1
		3	- 1	RF
RL146		1A	- 10A	1
		1B	- 10E	1
		3	- 1C	RF
RL147		1A	- 10B	1
		1B	- 10D	1
		1D	10A	1
		3	- 1B	RF
RL148		1A	- 10C	1
		3	- 1D	RF
RL149		1A	20	1
		1B	20	1
		1C	20	1
		1D	20	1
		5	- 1	RF
RL150		1A	25	1
		1B	25	1
		1C	25	1
		1D	25	1
		6	- 1	RF
RL151		1A	- 25A	1
		1B	- 25B	1
		6	- 1B	RF
RL152		1A	- 25B	1
		6	- 1C	RF
RL153		1A	30	1

**Zodiac Seats France**  
**COMPONENT MAINTENANCE MANUAL**  
**RL-SERIES**

PART NUMBER	AIRLINE PART NUMBER	FIGURE NUMBER	ITEM NUMBER	TOTAL REQUIRED
RL154		1B	30	1
		1C	30	1
		1D	- 30B	1
		7	- 1	RF
		1A	- 30A	1
		1B	- 30A	1
		1C	- 30A	1
		1D	- 30C	1
RL155		7	- 1A	RF
		1D	- 30A	1
RL156		7	- 1B	RF
		1A	- 30C	1
RL157		1D	30	1
		7	- 1D	RF
		1B	- 5A	1
RL158		2A	- 1V	RF
		1B	- 5D	1
RL159		2A	- 1W	RF
		1B	- 5F	1
RL160		1D	- 5B	1
		2A	- 1Y	RF
		1B	- 5K	1
RL161		2B	- 1	RF
		1B	- 5L	1
RL162		2B	- 1A	RF
		1B	- 5M	1
RL163		2B	- 1B	RF
		1B	- 10A	1
RL164		3	- 1E	RF
		1B	- 10B	1
		1D	10	1
RL165		3	- 1F	RF
		1B	- 10C	1
		3	- 1G	RF
RL166		1B	- 10F	1
		3	- 1H	RF
RL167		1B	- 25A	1
		6	- 1D	RF
RL168		1C	- 5A	1
		1D	- 5E	1
		2B	- 1E	RF
RL169		1D	- 5F	1
		2B	- 1F	RF
RL170		1D	- 5G	1
		2B	- 1G	RF
RL171		1D	- 5H	1
		2B	- 1H	RF

**Zodiac Seats France**  
**COMPONENT MAINTENANCE MANUAL**  
**RL-SERIES**

PART NUMBER	AIRLINE PART NUMBER	FIGURE NUMBER	ITEM NUMBER	TOTAL REQUIRED
RL172		1D	- 5J	1
		2B	- 1J	RF
RL173		1D	- 5L	1
		2B	- 1L	RF
RL174		1D	- 5M	1
		2B	- 1M	RF
RL175		1	10	1
		3	- 1A	RF
RL176		1A	- 30B	1
		7	- 1F	RF
RL27FYB3YS00009		1A	- 1A	RF
RL27FYB3YS00041		1A	- 1	RF
RL27FYB3YS00047		1A	- 1C	RF
RL27FYD1YS00052		1A	- 1P	RF
RL27FYD3YS00044		1A	- 1T	RF
RL27FYD3YS00060		1B	- 1	RF
RL27FYD3YS00062		1B	- 1A	RF
RL27FYD3YS00078		1B	- 1P	RF
RL27FYF31S00056		1A	- 1V	RF
RL27FYF31S00058		1B	- 1H	RF
RL27FYF31S10059		1A	- 1U	RF
RL27FYF3YS00036		1B	- 1F	RF
RL27FYF3YS00047		1A	- 1H	RF
RL27FYF3YS00048		1A	- 1G	RF
RL27FYF3YS00050		1A	- 1M	RF
RL27FYF3YS00054		1A	- 1S	RF
RL27FYF3YS00055		1A	- 1R	RF
RL27FYF3YS00057		1B	- 1C	RF
RL27FYF3YS00058		1A	- 1W	RF
RL27FYF3YS00061		1A	- 1Y	RF
RL27FYF3YS00069		1B	- 1U	RF
RL27FYF3YS00074		1B	- 1J	RF
RL27FYF3YS00076		1B	- 1K	RF
RL27FYF3YS00080		1B	- 1N	RF
RL27FYF3YS00143		1C	- 1	RF
RL27FYF3YS10054		1B	- 1S	RF
RL27FYF3YS10076		1B	- 1W	RF
RL27FYF3YS10079		1B	- 1T	RF
RL27FYF3YS10080		1B	- 1Y	RF
RL27FYF4YS00049		1A	- 1L	RF
RL27FYF4YS00066		1B	- 1D	RF
RL27FYF4YS00081		1B	- 1V	RF
RL27FYF4YS10049		1B	- 1R	RF
RL27FYF4YS10066		1B	- 1X	RF
RL27FYS3YS00051		1A	- 1N	RF
RL27FYU31S10059		1D	- 1C	RF
RL27FYU3YS00009		1C	- 1A	RF

**Zodiac Seats France**  
**COMPONENT MAINTENANCE MANUAL**  
**RL-SERIES**

PART NUMBER	AIRLINE PART NUMBER	FIGURE NUMBER	ITEM NUMBER	TOTAL REQUIRED
RL27FYU3YS00036		1D	- 1R	RF
RL27FYU3YS00041		1C	- 1B	RF
RL27FYU3YS00047		1D	- 1K	RF
RL27FYU3YS00054		1D	- 1F	RF
RL27FYU3YS00055		1D	- 1V	RF
RL27FYU3YS00061		1D	- 1S	RF
RL27FYU3YS00074		1D	- 1N	RF
RL27FYU3YS00082		1D	- 1D	RF
RL27FYU3YS10054		1D	- 1E	RF
RL27FYU3YS10056		1D	- 1P	RF
RL27FYU3YS10076		1D	- 1Q	RF
RL27FYU3YS10079		1D	- 1G	RF
RL27FYU3YS10080		1D	- 1U	RF
RL27FYU3YS10084		1D	- 1M	RF
RL38		1A	5	1
		2A	- 1	RF
RL42		1	5	1
		2	- 1	RF
RL43		1A	- 5Q	1
		2A	- 1D	RF
RL44		1A	- 5C	1
		2A	- 1E	RF
RL47		1A	- 5G	1
		1B	- 5C	1
		2A	- 1H	RF
RL47FYA3YS00001		1A	- 1D	RF
RL47FYA3YS00046		1A	- 1F	RF
RL47FYA3YS00099		1A	- 1E	RF
RL47FYB3YS00009		1A	- 1B	RF
RL47FYB3YS00064		1B	- 1B	RF
RL47FYB3YS00085		1D	- 1W	RF
RL47FYD3YS00071		1B	- 1G	RF
RL47FYD3YS10071		1D	- 1B	RF
RL47FYD3YS30071		1D	- 1L	RF
RL47FYF31S00057		1A	- 1X	RF
RL47FYF31S10057		1D	- 1A	RF
RL47FYF31S10S05		1D	- 1X	RF
RL47FYF3YS00047		1A	- 1J	RF
RL47FYF3YS00053		1A	- 1Q	RF
RL47FYF3YS00054		1B	- 1M	RF
RL47FYF3YS00067		1B	- 1E	RF
RL47FYF3YS00073		1B	- 1L	RF
RL47FYF3YS10077		1B	- 1Q	RF
RL47FYT3YS00001		1C	- 1C	RF
RL47FYT3YS00046		1C	- 1D	RF
RL47FYT3YS00099		1C	- 1E	RF
RL47FYU3YS00009		1C	- 1F	RF

**Zodiac Seats France**  
**COMPONENT MAINTENANCE MANUAL**  
**RL-SERIES**

PART NUMBER	AIRLINE PART NUMBER	FIGURE NUMBER	ITEM NUMBER	TOTAL REQUIRED
RL47FYU3YS00047		1D	- 1J	RF
RL47FYU3YS00064		1C	- 1G	RF
RL47FYU3YS00085		1C	- 1H	RF
RL47FYU3YS10047		1D	- 1T	RF
RL47FYU3YS10077		1D	- 1H	RF
RL48		1A	- 5H	1
		1B	- 5J	1
		2A	- 1J	RF
RL51		1A	- 5K	1
		1B	- 5N	1
		2A	- 1L	RF
RL52		1A	- 5L	1
		2A	- 1M	RF
RL71		1A	- 5N	1
		2A	- 1P	RF
RL72		1A	- 5P	1
		2A	- 1Q	RF
RL73		1A	- 5R	1
		2A	- 1R	RF
RL74		1A	- 5S	1
		1B	- 5G	1
		1C	5	1
		2A	- 1S	RF
RL75		1A	- 5U	1
		1B	- 5P	1
		2A	- 1T	RF
RL76		1B	5	1
		2A	- 1U	RF
RL80		1B	- 5E	1
		2A	- 1X	RF
RL99		1D	- 5C	1
		2B	- 1C	RF
STI031-002-01		3	- 220B	2
VE64-10-116-50		3	130	1
VELCR020-10		7	- 60B	1
			- 60H	1
VELCR025-10A		3	- 250	1
VELCR050-10A		3	- 255	1
VELVEL16-10		7	- 60D	1
VELVEL16-315A		3	- 227	1
			- 228	2
VELVEL20-10		7	- 60	1
			- 60F	1
VITCM2X6		5	20	4

**Zodiac Seats France**  
**COMPONENT MAINTENANCE MANUAL**  
**RL-SERIES**

THIS PAGE INTENTIONALLY LEFT BLANK

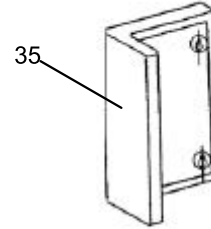
# **DETAILED PARTS LIST**

**Zodiac Seats France**  
**COMPONENT MAINTENANCE MANUAL**  
**RL-SERIES**

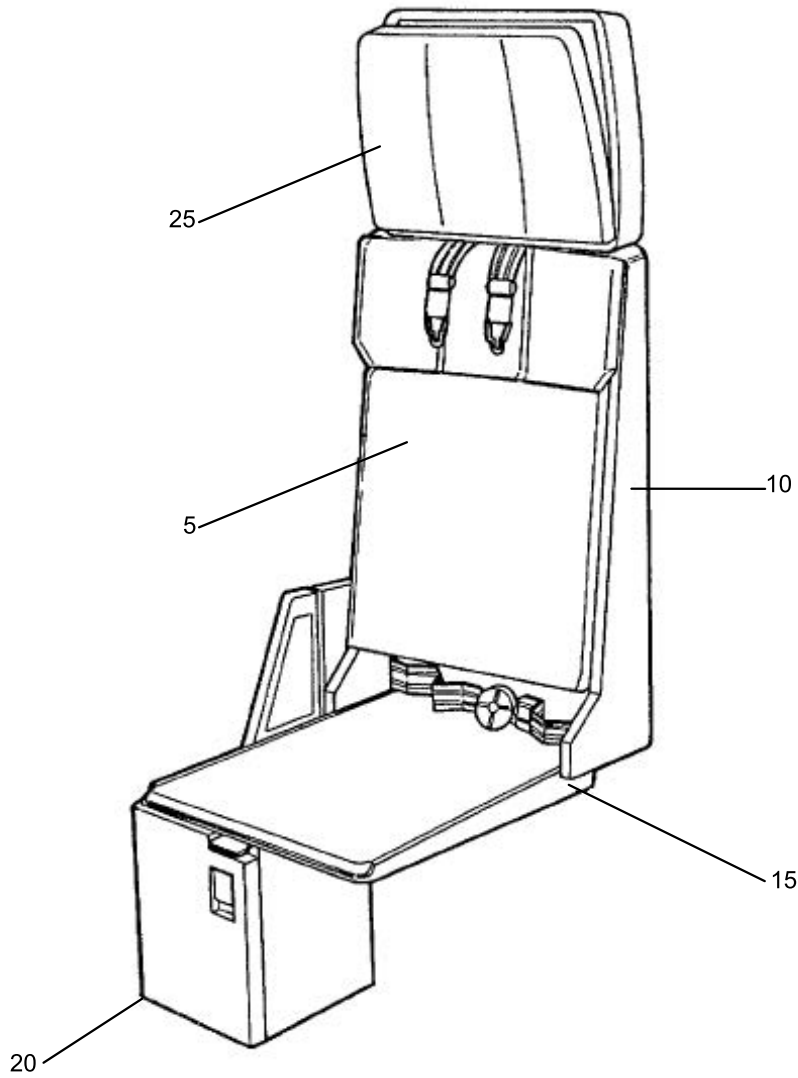
ZODIAC SEATS FRANCE			
21, rue Lavoisier, 92000 Nanterre (France) - 92000 BOULLEVARD FRANCE			
PART NO:		REV:	
ANCIEN:	WEIGHT:	MPQ DATE:	
COMPLIEE PAR:		TYPE:	
00-4000			

30

**PARTS FIXED ON WALL**



Padding 395-E01-023



**ROTATING SEAT ASSEMBLY**  
Figure 1/GRAPHIC-25-11-79-991-801-A01

**25-11-79**

Page 10001-0  
Jul 23/18

**Zodiac Seats France**  
**COMPONENT MAINTENANCE MANUAL**  
**RL-SERIES**

FIG. ITEM	PART NUMBER	AIRLINE PART No.	NOMENCLATURE	USAGE CODE	UNITS PER ASSY
1			1234567		
- 1	RL12FYA3YS00023		ROTATING SEAT ASSEMBLY SEE TABLE 6001 FOR COLORS	A	RF
- 1A	RL12FYT3YS00023		ROTATING SEAT ASSEMBLY SEE TABLE 6001 FOR COLORS POST SB 161-25-140	B	RF
5	RL42		. UPHOLSTERY INSTALLATION <a href="#">SEE FIG. 2 FOR DET</a>	NP A	1
- 5A	RL112		. UPHOLSTERY INSTALLATION <a href="#">SEE FIG. 2 FOR DET</a>	NP B	1
10	RL175		. STRUCTURE ASSEMBLY <a href="#">SEE FIG. 3 FOR DET</a>	NP	1
15	RL137		. BOTTOM EQUIPPED AND FIXING <a href="#">SEE FIG. 4 FOR DET</a>	NP	1
20	RL138		. SEAT ATTACHMENT <a href="#">SEE FIG. 6 FOR DET</a>	NP	1
25	RL139		. HEADREST ASSEMBLY <a href="#">SEE FIG. 7 FOR DET</a>	NP	1
30	00-5008		. IDENTIFICATION PLATE (F215118)		1
35	395E01-023		. EDGE PADDING (F071622)		1
- 40	153953CXX		.. COVERED CUSHION		1
- 45	153953-01CXX		... COVER		1
- 50	153953-02		... FOAM (F074162)		1

- ITEM NOT ILLUSTRATED

# Zodiac Seats France COMPONENT MAINTENANCE MANUAL RL-SERIES

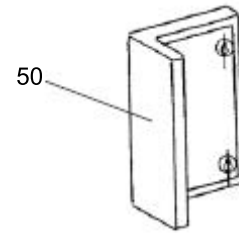
ZODIAC SEATS FRANCE				
21, rue Cassin, Les Plateaux INDUSTRIAL, Paris 13, SEDES (BOULOUX) FRANCE				
PART N°	AMBT	SN	WEIGHT	TYPE
COMPLIES WITH	MPD DATE			
00-6000				

45

SIGMA AERO SEAT				
SECIETE INDUSTRIELLE ET COMMERCIALE DE SIENNES (BOULOUX) 7, Rue Laperon Groupet 91100 BOULOUX FRANCE				
PART N°	AMBT	SN	WEIGHT	TYPE
COMPLIES WITH	DATE			
00-6000				

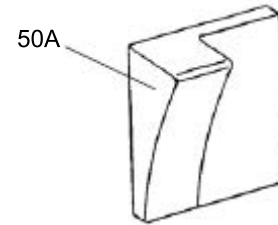
35

## PARTS FIXED ON WALL



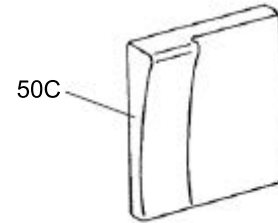
50

Padding 395-E01-xxx



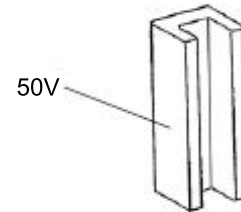
50A

Padding 395-E03-xxx



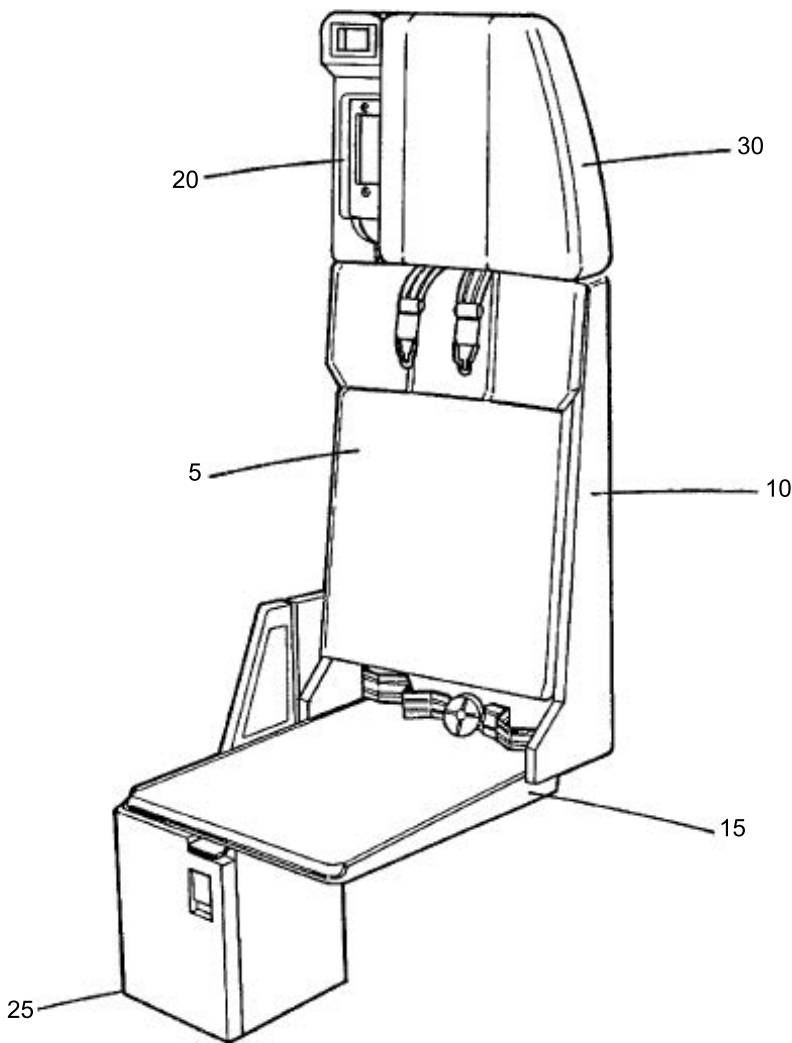
50C

Padding 395-E04-xxx



50V

Padding 395-E06-xxx



## ROTATING SEAT ASSEMBLY

Figure 1A/GRAPHIC-25-11-79-991-801-B01

# 25-11-79

Page 10001A-0  
Jul 23/18

**Zodiac Seats France**  
**COMPONENT MAINTENANCE MANUAL**  
**RL-SERIES**

FIG. ITEM	PART NUMBER	AIRLINE PART No.	NOMENCLATURE	USAGE CODE	UNITS PER ASSY
			1234567		
1A					
- 1	RL27FYB3YS00041		ROTATING SEAT ASSEMBLY (WITH INTERCOM) SEE TABLE 6001 FOR COLORS	A	RF
- 1A	RL27FYB3YS00009		ROTATING SEAT ASSEMBLY (WITH INTERCOM) SEE TABLE 6001 FOR COLORS	B	RF
- 1B	RL47FYB3YS00009		ROTATING SEAT ASSEMBLY (WITH INTERCOM) SEE TABLE 6001 FOR COLORS	C	RF
- 1C	RL27FYB3YS00047		ROTATING SEAT ASSEMBLY (WITH INTERCOM) SEE TABLE 6001 FOR COLORS	D	RF
- 1D	RL47FYA3YS00001		ROTATING SEAT ASSEMBLY (WITH INTERCOM) SEE TABLE 6001 FOR COLORS	E	RF
- 1E	RL47FYA3YS00099		ROTATING SEAT ASSEMBLY (WITH INTERCOM) SEE TABLE 6001 FOR COLORS	F	RF
- 1F	RL47FYA3YS00046		ROTATING SEAT ASSEMBLY (WITH INTERCOM) SEE TABLE 6001 FOR COLORS	G	RF
- 1G	RL27FYF3YS00048		ROTATING SEAT ASSEMBLY (WITH INTERCOM) SEE TABLE 6001 FOR COLORS	H	RF
- 1H	RL27FYF3YS00047		ROTATING SEAT ASSEMBLY (WITH INTERCOM) SEE TABLE 6001 FOR COLORS	J	RF
- 1J	RL47FYF3YS00047		ROTATING SEAT ASSEMBLY (WITH INTERCOM) SEE TABLE 6001 FOR COLORS	K	RF
- 1L	RL27FYF4YS00049		ROTATING SEAT ASSEMBLY (F0464655) (WITH INTERCOM) SEE TABLE 6001 FOR COLORS	L	RF
- 1M	RL27FYF3YS00050		ROTATING SEAT ASSEMBLY (WITH INTERCOM) SEE TABLE 6001 FOR COLORS	M	RF
- 1N	RL27FYS3YS00051		ROTATING SEAT ASSEMBLY (WITH INTERCOM) SEE TABLE 6001 FOR COLORS	N	RF
- 1P	RL27FYD1YS00052		ROTATING SEAT ASSEMBLY (WITH INTERCOM) SEE TABLE 6001 FOR COLORS	P	RF
- 1Q	RL47FYF3YS00053		ROTATING SEAT ASSEMBLY (WITH INTERCOM) SEE TABLE 6001 FOR COLORS	Q	RF

- ITEM NOT ILLUSTRATED

**25-11-79**

Page 10001A-1  
Jul 23/18

**Zodiac Seats France**  
**COMPONENT MAINTENANCE MANUAL**  
**RL-SERIES**

FIG. ITEM	PART NUMBER	AIRLINE PART No.	NOMENCLATURE	USAGE CODE	UNITS PER ASSY
			1234567		
1A					
- 1R	RL27FYF3YS00055		ROTATING SEAT ASSEMBLY (WITH INTERCOM) SEE TABLE 6001 FOR COLORS	R	RF
- 1S	RL27FYF3YS00054		ROTATING SEAT ASSEMBLY (WITH INTERCOM) SEE TABLE 6001 FOR COLORS PRE SB 161-25-143	S	RF
- 1T	RL27FYD3YS00044		ROTATING SEAT ASSEMBLY (WITH INTERCOM) SEE TABLE 6001 FOR COLORS	T	RF
- 1U	RL27FYF31S10059		ROTATING SEAT ASSEMBLY (WITH INTERCOM) SEE TABLE 6001 FOR COLORS	U	RF
- 1V	RL27FYF31S00056		ROTATING SEAT ASSEMBLY (WITH INTERCOM) SEE TABLE 6001 FOR COLORS PRE SB 161-25-146	V	RF
- 1W	RL27FYF3YS00058		ROTATING SEAT ASSEMBLY (WITH INTERCOM) SEE TABLE 6001 FOR COLORS	W	RF
- 1X	RL47FYF31S00057		ROTATING SEAT ASSEMBLY (WITH INTERCOM) SEE TABLE 6001 FOR COLORS PRE SB 161-25-169	X	RF
- 1Y	RL27FYF3YS00061		ROTATING SEAT ASSEMBLY (WITH INTERCOM) SEE TABLE 6001 FOR COLORS	Y	RF
5	RL38		. UPHOLSTERY INSTALLATION <a href="#">SEE FIG. 2A FOR DET</a>	NP A	1
- 5A	RL130		. UPHOLSTERY INSTALLATION <a href="#">SEE FIG. 2A FOR DET</a>	NP B D	1
- 5B	RL140		. UPHOLSTERY INSTALLATION <a href="#">SEE FIG. 2A FOR DET</a>	NP C	1
- 5C	RL44		. UPHOLSTERY INSTALLATION <a href="#">SEE FIG. 2A FOR DET</a>	NP E	1
- 5D	RL141		. UPHOLSTERY INSTALLATION <a href="#">SEE FIG. 2A FOR DET</a>	NP F	1
- 5E	RL142		. UPHOLSTERY INSTALLATION <a href="#">SEE FIG. 2A FOR DET</a>	NP G	1
- 5F	RL136		. UPHOLSTERY INSTALLATION <a href="#">SEE FIG. 2A FOR DET</a>	NP H	1
- 5G	RL47		. UPHOLSTERY INSTALLATION <a href="#">SEE FIG. 2A FOR DET</a>	NP J N T V	1
- 5H	RL48		. UPHOLSTERY INSTALLATION <a href="#">SEE FIG. 2A FOR DET</a>	NP K	1
- 5K	RL51		. UPHOLSTERY INSTALLATION <a href="#">SEE FIG. 2A FOR DET</a>	NP L	1

- ITEM NOT ILLUSTRATED

**25-11-79**

Page 10001A-2  
Jul 23/18

**Zodiac Seats France**  
**COMPONENT MAINTENANCE MANUAL**  
**RL-SERIES**

FIG. ITEM	PART NUMBER	AIRLINE PART No.	NOMENCLATURE	USAGE CODE	UNITS PER ASSY
			1234567		
1A					
- 5L	RL52		. UPHOLSTERY INSTALLATION SEE FIG. 2A FOR DET	NP N	1
- 5M	RL144		. UPHOLSTERY INSTALLATION SEE FIG. 2A FOR DET	NP P	1
- 5N	RL71		. UPHOLSTERY INSTALLATION SEE FIG. 2A FOR DET	NP Q	1
- 5P	RL72		. UPHOLSTERY INSTALLATION SEE FIG. 2A FOR DET	NP R	1
- 5Q	RL43		. UPHOLSTERY INSTALLATION SEE FIG. 2A FOR DET	NP T	1
- 5R	RL73		. UPHOLSTERY INSTALLATION SEE FIG. 2A FOR DET	NP U	1
- 5S	RL74		. UPHOLSTERY INSTALLATION SEE FIG. 2A FOR DET	NP W	1
- 5T	RL111		. UPHOLSTERY INSTALLATION SEE FIG. 2B FOR DET	NP X	1
- 5U	RL75		. UPHOLSTERY INSTALLATION SEE FIG. 2A FOR DET	NP Y	1
10	RL145		. STRUCTURE ASSEMBLY SEE FIG. 3 FOR DET	NP A B C D E F G H J K M Q R S T W X Y	1
- 10A	RL146		. STRUCTURE ASSEMBLY SEE FIG. 3 FOR DET	NP L	1
- 10B	RL147		. STRUCTURE ASSEMBLY SEE FIG. 3 FOR DET	NP N U V	1
- 10C	RL148		. STRUCTURE ASSEMBLY SEE FIG. 3 FOR DET	NP P	1
15	RL137		. BOTTOM EQUIPPED AND FIXING SEE FIG. 4 FOR DET	NP	1
20	RL149		. INTERCOM HANDSET INSTALLATION SEE FIG. 5 FOR DET	NP	1
25	RL150		. SEAT ATTACHMENT SEE FIG. 6 FOR DET	NP A B C D E F G H J K M N Q R S T U V W X Y	1
- 25A	RL151		. SEAT ATTACHMENT SEE FIG. 6 FOR DET	NP L	1
- 25B	RL152		. SEAT ATTACHMENT SEE FIG. 6 FOR DET	NP P	1

- ITEM NOT ILLUSTRATED

**Zodiac Seats France**  
**COMPONENT MAINTENANCE MANUAL**  
**RL-SERIES**

FIG. ITEM	PART NUMBER	AIRLINE PART No.	NOMENCLATURE	USAGE CODE	UNITS PER ASSY
1A					
30	RL153		. HEADREST ASSEMBLY SEE FIG. 7 FOR DET	NP A B D H J L M N P R S T V W Y	1
- 30A	RL154		. HEADREST ASSEMBLY (SMOKE HOOD) SEE FIG. 7 FOR DET	NP C E F G K Q	1
- 30B	RL176		. HEADREST ASSEMBLY SEE FIG. 7 FOR DET	NP U	1
- 30C	RL156		. HEADREST ASSEMBLY WITH BUMPER SEE FIG. 7 FOR DET	NP X	1
35	00-4368		. IDENTIFICATION PLATE (F094237)	A B C	1
- 40	00-4634		. IDENTIFICATION PLATE	A B C	2
45	00-5008		. IDENTIFICATION PLATE (F215118)	D E F G H J K L M N P Q R S T U V W X Y	1
50	395E01-041		. EDGE PADDING (F209565)	A	1
50A	395E03-009		. FLAT PADDING (F209662)	B C	1
- 50B	395E03-047		. EDGE PADDING (F209866)	D J	1
50C	395E04-001		. EDGE PADDING (F209909)	E	1
- 50D	395E03-099		. EDGE PADDING (F209917)	F	1
- 50E	395E04-046		. EDGE PADDING (F209849)	G	1
- 50F	395E03-048		. EDGE PADDING (F209957)	H	1
- 50G	395E01-047		. EDGE PADDING (F226194) (VALID FOR BD1, BD2 & BD3)	K	1
- 50H	395E04-047		. EDGE PADDING (F210108) (VALID FOR GW1, WH1 & ZZ01)	K	1
- 50K	395E03-049		. EDGE PADDING (F210119)	L	1
- 50L	395E01-050		. EDGE PADDING (F210113)	M	1
- 50M	395E03-051		. EDGE PADDING (F226923)	N	1

- ITEM NOT ILLUSTRATED

**Zodiac Seats France**  
**COMPONENT MAINTENANCE MANUAL**  
**RL-SERIES**

FIG. ITEM	PART NUMBER	AIRLINE PART No.	NOMENCLATURE	USAGE CODE	UNITS PER ASSY
			1234567		
1A					
- 50N	395E01-052		. EDGE PADDING (F226260)	P	1
- 50P	395E04-053		. EDGE PADDING (F226280)	Q	1
- 50Q	395E03-055		. EDGE PADDING (F226295)	R	1
- 50R	395E03-054		. EDGE PADDING (F226286) (VALID FOR BL1,ED1, GW3-D3, JG1, LU01, MI01, MI2, MU1, WS4-D1, XF5-D2, XF5-D4 & XY1)	S	1
- 50S	395E01-054		. EDGE PADDING (F226737) (VALID FOR BA1, NX01)	S	1
- 50T	395E01-059		. EDGE PADDING (F226422)	U	1
- 50U	395E03-056		. EDGE PADDING (F226388)	V	1
50V	395E06-058		. FLAT PADDING (F226393)	W	1
- 50W	395E04-057		. EDGE PADDING (F226357)	X	1
- 50X	395E03-061		. EDGE PADDING (F226508)	Y	1
- 55	153953CXX		.. COVERED CUSHION	A K M P S	1
- 55A	153952CXX		.. COVERED CUSHION	B C D F H J L N R V Y	1
- 55B	153951CXX		.. COVERED CUSHION	E G Q X	1
- 55C	153951CXX		.. COVERED CUSHION (VALID FOR AF2-D3 & AF3-14 & ON, GW1, OM01, WH1, WS03-D1 & XF5-D10, ZZ01)	K	1
- 55D	153952CXX		.. COVERED CUSHION (VALID FOR BL1,ED1, GW3-D3, JG1, LU01, MI01, MI2, MU1, SN3-D3 & ON, WS06, WS4-D1, XF5-D2, XF5-D4 & XY1)	S	1
- 55E	153953-1CXX		.. COVERED CUSHION	U	1
- 55F	153971CXX		.. COVERED CUSHION	W	1
- 60	153953-01CXX		... COVER	A K M P S	1
- 65	153953-02		... FOAM (F074162)	A K M P S	1

- ITEM NOT ILLUSTRATED

**25-11-79**

Page 10001A-5  
Jul 23/18

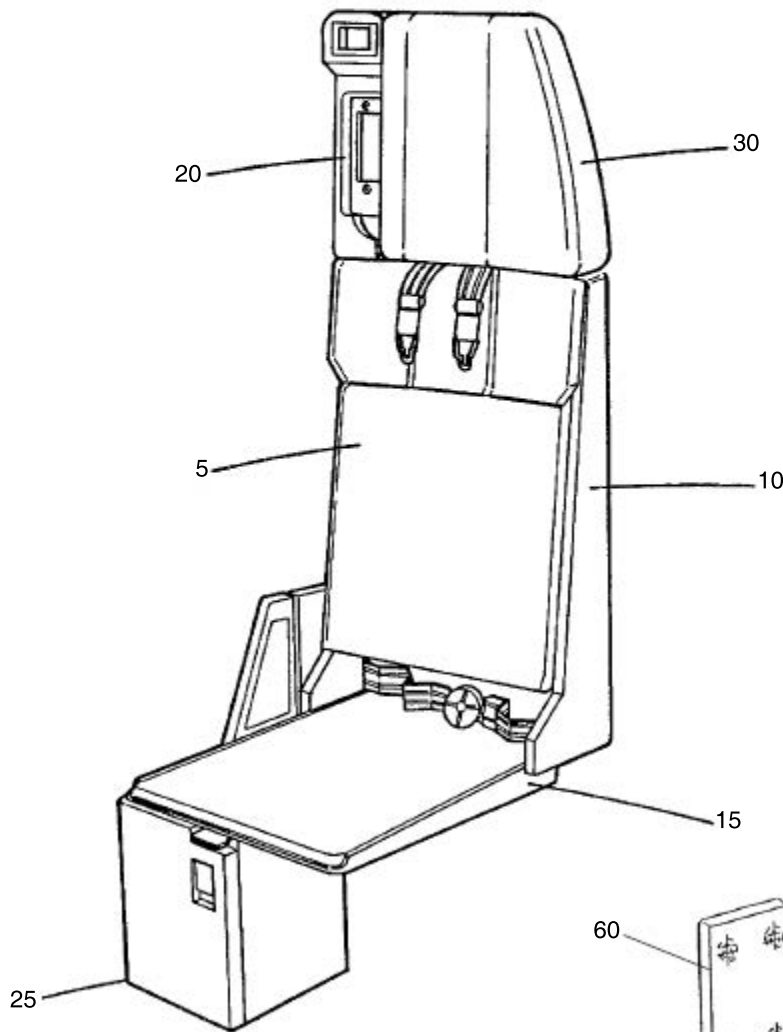
# Zodiac Seats France COMPONENT MAINTENANCE MANUAL RL-SERIES

**ZODIAC SEATS FRANCE**  
2,1 la Grande Rue Pédale 94100 St Maurice FRANCE

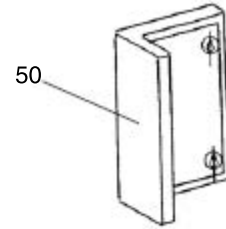
PART NO: \_\_\_\_\_ SN: \_\_\_\_\_  
 A/R: \_\_\_\_\_ WEIGHT: \_\_\_\_\_ MFG DATE: \_\_\_\_\_  
 COMPLIES WITH: \_\_\_\_\_ TYPE: \_\_\_\_\_

00-4000

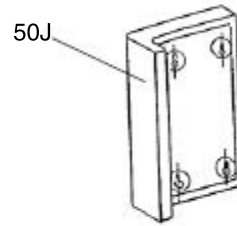
45



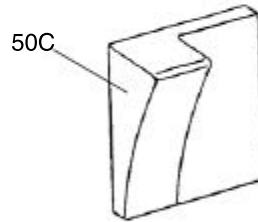
## PARTS FIXED ON WALL



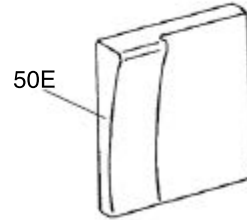
Padding 395-E01-xxx



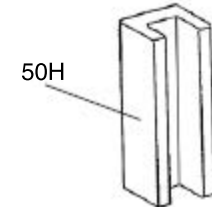
Padding 395-E02-xxx



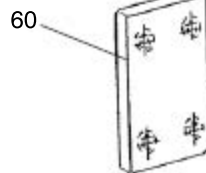
Padding 395-E03-xxx



Padding 395-E04-xxx



Padding 395-E06-xxx



Padding 395-F02-xxx

ROTATING SEAT ASSEMBLY  
Figure 1B/GRAPHIC-25-11-79-991-801-C01

**Zodiac Seats France**  
**COMPONENT MAINTENANCE MANUAL**  
**RL-SERIES**

FIG. ITEM	PART NUMBER	AIRLINE PART No.	NOMENCLATURE	USAGE CODE	UNITS PER ASSY
			1234567		
1B					
- 1	RL27FYD3YS00060		ROTATING SEAT ASSEMBLY (WITH INTERCOM)	A	RF
- 1A	RL27FYD3YS00062		ROTATING SEAT ASSEMBLY (WITH INTERCOM)	B	RF
- 1B	RL47FYB3YS00064		ROTATING SEAT ASSEMBLY (WITH INTERCOM)	C	RF
- 1C	RL27FYF3YS00057		ROTATING SEAT ASSEMBLY (WITH INTERCOM)	D	RF
- 1D	RL27FYF4YS00066		ROTATING SEAT ASSEMBLY (WITH INTERCOM)	E	RF
- 1E	RL47FYF3YS00067		ROTATING SEAT ASSEMBLY (WITH INTERCOM)	F	RF
- 1F	RL27FYF3YS00036		ROTATING SEAT ASSEMBLY (WITH INTERCOM)	G	RF
- 1G	RL47FYD3YS00071		ROTATING SEAT ASSEMBLY (WITH INTERCOM)	H	RF
- 1H	RL27FYF31S00058		ROTATING SEAT ASSEMBLY (WITH INTERCOM)	J	RF
- 1J	RL27FYF3YS00074		ROTATING SEAT ASSEMBLY (WITH INTERCOM)	K	RF
- 1K	RL27FYF3YS00076		ROTATING SEAT ASSEMBLY (WITH INTERCOM)	L	RF
- 1L	RL47FYF3YS00073		ROTATING SEAT ASSEMBLY (WITH INTERCOM)	M	RF
- 1M	RL47FYF3YS00054		ROTATING SEAT ASSEMBLY (WITH INTERCOM)	N	RF
- 1N	RL27FYF3YS00080		ROTATING SEAT ASSEMBLY (WITH INTERCOM)	P	RF
- 1P	RL27FYD3YS00078		ROTATING SEAT ASSEMBLY (WITH INTERCOM)	Q	RF
- 1Q	RL47FYF3YS10077		ROTATING SEAT ASSEMBLY (WITH INTERCOM)	R	RF
- 1R	RL27FYF4YS10049		ROTATING SEAT ASSEMBLY (WITH INTERCOM)	S	RF
- 1S	RL27FYF3YS10054		ROTATING SEAT ASSEMBLY (WITH INTERCOM)	T	RF
- 1T	RL27FYF3YS10079		ROTATING SEAT ASSEMBLY (WITH INTERCOM)	U	RF
- 1U	RL27FYF3YS00069		ROTATING SEAT ASSEMBLY (WITH INTERCOM)	V	RF
- 1V	RL27FYF4YS00081		ROTATING SEAT ASSEMBLY (WITH INTERCOM)	W	RF
- 1W	RL27FYF3YS10076		ROTATING SEAT ASSEMBLY (WITH INTERCOM)	X	RF
- 1X	RL27FYF4YS10066		ROTATING SEAT ASSEMBLY (WITH INTERCOM)	Y	RF
- 1Y	RL27FYF3YS10080		ROTATING SEAT ASSEMBLY (WITH INTERCOM)	Z	RF

- ITEM NOT ILLUSTRATED

**Zodiac Seats France**  
**COMPONENT MAINTENANCE MANUAL**  
**RL-SERIES**

FIG. ITEM	PART NUMBER	AIRLINE PART No.	NOMENCLATURE	USAGE CODE	UNITS PER ASSY
1B			1234567		
5	RL76		. UPHOLSTERY INSTALLATION SEE FIG. 2A FOR DET	NP A	1
- 5A	RL157		. UPHOLSTERY INSTALLATION SEE FIG. 2A FOR DET	NP B	1
- 5B	RL140		. UPHOLSTERY INSTALLATION SEE FIG. 2A FOR DET	NP C	1
- 5C	RL47		. UPHOLSTERY INSTALLATION SEE FIG. 2A FOR DET	NP D G L P T V X Z	1
- 5D	RL158		. UPHOLSTERY INSTALLATION SEE FIG. 2A FOR DET	NP E Y	1
- 5E	RL80		. UPHOLSTERY INSTALLATION SEE FIG. 2A FOR DET	NP F	1
- 5F	RL159		. UPHOLSTERY INSTALLATION SEE FIG. 2A FOR DET	NP H	1
- 5G	RL74		. UPHOLSTERY INSTALLATION SEE FIG. 2A FOR DET	NP J	1
- 5H	RL136		. UPHOLSTERY INSTALLATION SEE FIG. 2A FOR DET	NP K	1
- 5J	RL48		. UPHOLSTERY INSTALLATION SEE FIG. 2A FOR DET	NP N	1
- 5K	RL160		. UPHOLSTERY INSTALLATION SEE FIG. 2B FOR DET	NP M	1
- 5L	RL161		. UPHOLSTERY INSTALLATION SEE FIG. 2B FOR DET	NP Q	1
- 5M	RL162		. UPHOLSTERY INSTALLATION SEE FIG. 2B FOR DET	NP R	1
- 5N	RL51		. UPHOLSTERY INSTALLATION SEE FIG. 2A FOR DET	NP S W	1
- 5P	RL75		. UPHOLSTERY INSTALLATION SEE FIG. 2A FOR DET	NP U	1
10	RL145		. STRUCTURE ASSEMBLY SEE FIG. 3 FOR DET	NP A B C D F G H J K L M N P Q V	1
- 10A	RL163		. STRUCTURE ASSEMBLY SEE FIG. 3 FOR DET	NP E	1
- 10B	RL164		. STRUCTURE ASSEMBLY SEE FIG. 3 FOR DET	NP R	1
- 10C	RL165		. STRUCTURE ASSEMBLY SEE FIG. 3 FOR DET	NP S	1
- 10D	RL147		. STRUCTURE ASSEMBLY SEE FIG. 3 FOR DET	NP T U X Z	1
- 10E	RL146		. STRUCTURE ASSEMBLY SEE FIG. 3 FOR DET	NP W	1
- 10F	RL166		. STRUCTURE ASSEMBLY SEE FIG. 3 FOR DET	NP Y	1

- ITEM NOT ILLUSTRATED

**Zodiac Seats France**  
**COMPONENT MAINTENANCE MANUAL**  
**RL-SERIES**

FIG. ITEM	PART NUMBER	AIRLINE PART No.	NOMENCLATURE	USAGE CODE	UNITS PER ASSY
			1234567		
1B					
15	RL137		. BOTTOM EQUIPPED AND FIXING SEE FIG. 4 FOR DET	NP	1
20	RL149		. INTERCOM HANDSET INSTALLATION SEE FIG. 5 FOR DET	NP	1
25	RL150		. SEAT ATTACHMENT SEE FIG. 6 FOR DET	NP	A B C D F G H J K L M N P Q R T U V X Z 1
- 25A	RL167		. SEAT ATTACHMENT SEE FIG. 6 FOR DET	NP	E Y 1
- 25B	RL151		. SEAT ATTACHMENT SEE FIG. 6 FOR DET	NP	S W 1
30	RL153		. HEADREST ASSEMBLY SEE FIG. 7 FOR DET	NP	A B D E G J K L P Q S T U V W X Y Z 1
- 30A	RL154		. HEADREST ASSEMBLY (SMOKE HOOD) SEE FIG. 7 FOR DET	NP	C F H M N R 1
45	00-5008		. IDENTIFICATION PLATE (F215118)		1
50	395E01-060		. EDGE PADDING (F226467)	A	1
- 50A	395E01-062		. EDGE PADDING (F226596)	B	1
- 50B	395E01-064		. EDGE PADDING (F226626)	C	1
50C	395E03-057		. EDGE PADDING (F226616)	D	1
- 50D	395E02-066		. EDGE PADDING (F226730)	E Y	1
50E	395E04-067		. EDGE PADDING (F226650)	F	1
- 50F	395E04-071		. EDGE PADDING (F226951) (VALID FOR AF2-D3, AF3-D14 AND ON)	H	1
- 50G	395E01-071		. EDGE PADDING (F241753) (VALID FOR AF3-D8)	H	1
50H	395E06-058		. FLAT PADDING (F226393)	J	1

- ITEM NOT ILLUSTRATED

**25-11-79**

Page 10001B-3  
Jul 23/18

**Zodiac Seats France**  
**COMPONENT MAINTENANCE MANUAL**  
**RL-SERIES**

FIG. ITEM	PART NUMBER	AIRLINE PART No.	NOMENCLATURE	USAGE CODE	UNITS PER ASSY
1B			1234567		
50J	395E02-074		. EDGE PADDING (F241200) (VALID FOR SN2)	K	1
- 50K	395E03-074		. EDGE PADDING (F241202) (VALID FOR SN3-D3 & ON, WS06)	K	1
- 50L	395E03-076		. EDGE PADDING (F240999)	L	1
- 50M	395E04-073		. EDGE PADDING (F276281)	M	1
- 50N	395E04-054		. EDGE PADDING (F241006) (VALID FOR OM01, WS03-D1, XF5-D10)	N	1
- 50P	395E03-054		. EDGE PADDING (F226286) (VALID FOR BL1,ED1, GW3-D3, JG1, LU01, MI01, MI2, MU1, WS4-D1, XF5-D2, XF5-D4 & XY1)	N T	1
- 50Q	395E03-080		. EDGE PADDING (F241646)	P Z	1
- 50R	395E01-078		. EDGE PADDING (F241088)	Q	1
- 50S	395E04-077		. EDGE PADDING (F241099)	R	1
- 50T	395E03-049		. EDGE PADDING (F210119)	S	1
- 50U	395E01-054		. EDGE PADDING (F226737) (VALID FOR BA1, NX01)	T	1
- 50V	395E03-079		. EDGE PADDING (F241299)	U	1
- 50W	395E03-081		. EDGE PADDING (F241879)	W	1
- 50X	395E03-076		. EDGE PADDING (F240999)	X	1
- 50Y	395E08-036		. EDGE PADDING (F0504051)	G	1
- 50Z	395E09-071		. EDGE PADDING (F0504280)	H	1
- 55	153953CXX		.. COVERED CUSHION	A B C Q	1
- 55A	153952CXX		.. COVERED CUSHION	D L P S U W Z	1
- 55B	153954CXX		.. COVERED CUSHION	E Y	1

- ITEM NOT ILLUSTRATED

**25-11-79**

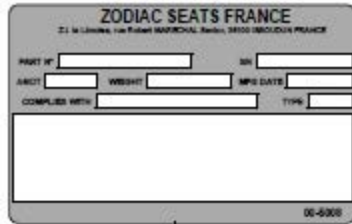
Page 10001B-4  
Jul 23/18

**Zodiac Seats France**  
**COMPONENT MAINTENANCE MANUAL**  
**RL-SERIES**

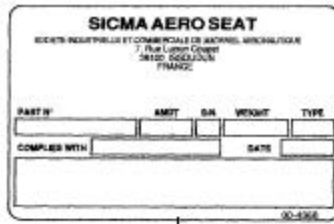
FIG. ITEM	PART NUMBER	AIRLINE PART No.	NOMENCLATURE	USAGE CODE	UNITS PER ASSY
			1234567		
1B					
- 55C	153951CXX		.. COVERED CUSHION (VALID FOR AF2-D3 & AF3-14 & ON, GW1, OM01, WH1, WS03-D1 & XF5-D10, ZZ01)	F H N	1
- 55D	153953CXX		.. COVERED CUSHION (VALID FOR AF3-D8, BA1, BD1, BD2, BD3, NX01)	H T	1
- 55E	153971CXX		.. COVERED CUSHION	J	1
- 55F	153954CXX		.. COVERED CUSHION (VALID FOR SN2)	K	1
- 55G	153952CXX		.. COVERED CUSHION (VALID FOR BL1,ED1, GW3-D3, JG1, LU01, MI01, MI2, MU1, SN3-D3 & ON, WS06, WS4-D1, XF5-D2, XF5-D4 & XY1)	K N	1
- 55H	153951CXX		.. COVERED CUSHION	M R	1
- 56	153953-01CXX		... COVER	A B C H Q T	1
- 57	153953-02		... FOAM (F074162)	A B C H Q T	1
60	395F02-036		. FLAT PADDING (F106082)	G	1
- 60A	395F02-074		. FLAT PADDING (F240953) (VALID FOR SN1)	K	1
- 60B	395F08-036		. EDGE PADDING (F0504040)	G	1
- 65	153962CXX		.. COVERED CUSHION	G K	1

- ITEM NOT ILLUSTRATED

# Zodiac Seats France COMPONENT MAINTENANCE MANUAL RL-SERIES

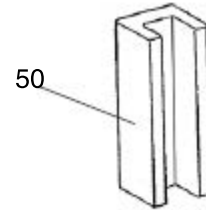


45

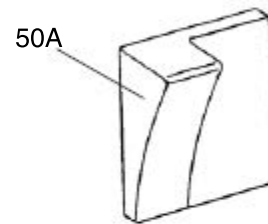


46

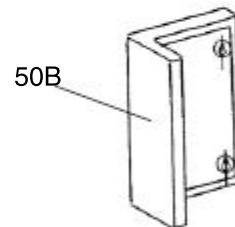
## PARTS FIXED ON WALL



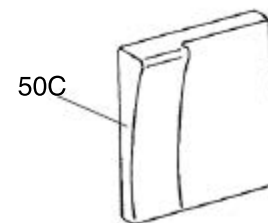
Padding 395-E06-xxx



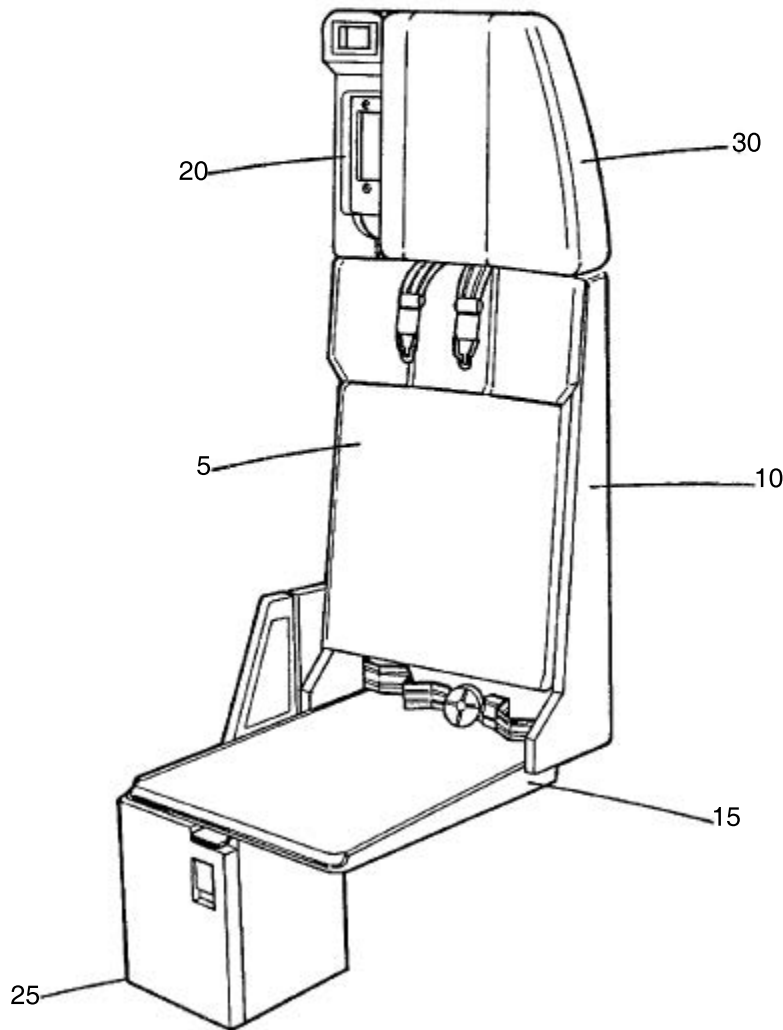
Padding 395-E03-xxx



Padding 395-E01-xxx



Padding 395-E04-xxx



## ROTATING SEAT ASSEMBLY

Figure 1C/GRAPHIC-25-11-79-991-801-D01

**Zodiac Seats France**  
**COMPONENT MAINTENANCE MANUAL**  
**RL-SERIES**

FIG. ITEM	PART NUMBER	AIRLINE PART No.	NOMENCLATURE	USAGE CODE	UNITS PER ASSY
			1234567		
1C					
- 1	RL27FYF3YS00143		ROTATING SEAT ASSEMBLY (WITH INTERCOM) SEE TABLE 6001 FOR COLORS	A	RF
- 1A	RL27FYU3YS00009		ROTATING SEAT ASSEMBLY (WITH INTERCOM) SEE TABLE 6001 FOR COLORS POST SB 161-25-140	B	RF
- 1B	RL27FYU3YS00041		ROTATING SEAT ASSEMBLY (WITH INTERCOM) SEE TABLE 6001 FOR COLORS POST SB 161-25-140	C	RF
- 1C	RL47FYT3YS00001		ROTATING SEAT ASSEMBLY (WITH INTERCOM) SEE TABLE 6001 FOR COLORS POST SB 161-25-140	D	RF
- 1D	RL47FYT3YS00046		ROTATING SEAT ASSEMBLY (WITH INTERCOM) SEE TABLE 6001 FOR COLORS POST SB 161-25-140	E	RF
- 1E	RL47FYT3YS00099		ROTATING SEAT ASSEMBLY (WITH INTERCOM) SEE TABLE 6001 FOR COLORS POST SB 161-25-140	F	RF
- 1F	RL47FYU3YS00009		ROTATING SEAT ASSEMBLY (WITH INTERCOM) SEE TABLE 6001 FOR COLORS POST SB 161-25-140	G	RF
- 1G	RL47FYU3YS00064		ROTATING SEAT ASSEMBLY (WITH INTERCOM) SEE TABLE 6001 FOR COLORS POST SB 161-25-140	H	RF
- 1H	RL47FYU3YS00085		ROTATING SEAT ASSEMBLY (WITH INTERCOM) SEE TABLE 6001 FOR COLORS POST SB 161-25-140	J	RF
5	RL74		. UPHOLSTERY INSTALLATION SEE FIG. 2A FOR DET	NP A	1
- 5A	RL168		. UPHOLSTERY INSTALLATION SEE FIG. 2B FOR DET	NP B	1
- 5B	RL113		. UPHOLSTERY INSTALLATION SEE FIG. 2B FOR DET	NP C	1
- 5C	RL114		. UPHOLSTERY INSTALLATION SEE FIG. 2B FOR DET	NP D	1
- 5D	RL107		. UPHOLSTERY INSTALLATION SEE FIG. 2B FOR DET	NP G H	1
- 5E	RL115		. UPHOLSTERY INSTALLATION SEE FIG. 2B FOR DET	NP F	1

- ITEM NOT ILLUSTRATED

**25-11-79**

Page 10001C-1  
Jul 23/18

**Zodiac Seats France**  
**COMPONENT MAINTENANCE MANUAL**  
**RL-SERIES**

FIG. ITEM	PART NUMBER	AIRLINE PART No.	NOMENCLATURE	USAGE CODE	UNITS PER ASSY
1C			1234567		
- 5F	RL116		. UPHOLSTERY INSTALLATION SEE FIG. 2B FOR DET	NP J	1
- 5G	RL120		. UPHOLSTERY INSTALLATION SEE FIG. 2B FOR DET	NP E	1
10	RL145		. STRUCTURE ASSEMBLY SEE FIG. 3 FOR DET	NP	1
15	RL137		. BOTTOM EQUIPPED AND FIXING SEE FIG. 4 FOR DET	NP	1
20	RL149		. INTERCOM HANDSET INSTALLATION SEE FIG. 5 FOR DET	NP	1
25	RL150		. SEAT ATTACHMENT SEE FIG. 6 FOR DET	NP	1
30	RL153		. HEADREST ASSEMBLY SEE FIG. 7 FOR DET	NP A B C	1
- 30A	RL154		. HEADREST ASSEMBLY (SMOKE HOOD) SEE FIG. 7 FOR DET	NP D E F G H J	1
45	00-5008		. IDENTIFICATION PLATE (F215118)	A	2
- 45A	00-5008		. IDENTIFICATION PLATE (F215118)	D E F G H J	1
46	00-4368		. IDENTIFICATION PLATE (F094237)	B C	1
- 47	00-4634		. IDENTIFICATION PLATE	B C	2
50	395E06-143		. FLAT PADDING (F350053)	A	1
50A	395E03-009		. FLAT PADDING (F209662)	B G	1
50B	395E01-041		. EDGE PADDING (F209565)	C	1
50C	395E04-001		. EDGE PADDING (F209909)	D	1
- 50D	395E04-046		. EDGE PADDING (F209849)	E	1
- 50E	395E03-099		. EDGE PADDING (F209917)	F	1
- 50F	395E01-064		. EDGE PADDING (F226626)	H	1
- 55	153971CXX		.. COVERED CUSHION	A	1
- 55A	153952CXX		.. COVERED CUSHION	A F	1
- 55B	153953CXX		.. COVERED CUSHION	C H	1
- 55C	153951CXX		.. COVERED CUSHION	D E	1
- 60	153953-01CXX		... COVER	C H	1
- 65	153953-02		... FOAM (F074162)	C H	1

- ITEM NOT ILLUSTRATED

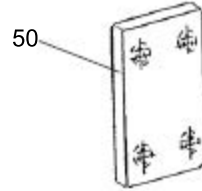
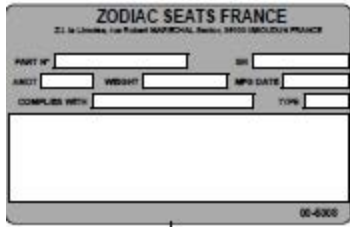
**25-11-79**

Page 10001C-2  
Jul 23/18

**Zodiac Seats France**  
**COMPONENT MAINTENANCE MANUAL**  
**RL-SERIES**

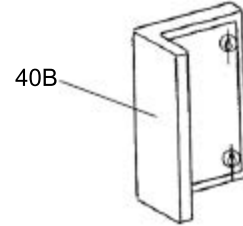
THIS PAGE INTENTIONALLY LEFT BLANK

**Zodiac Seats France**  
**COMPONENT MAINTENANCE MANUAL**  
**RL-SERIES**



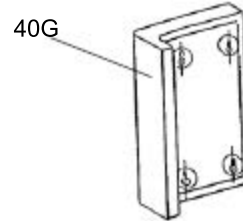
50  
 Padding 395-F02-xxx

PARTS FIXED ON WALL



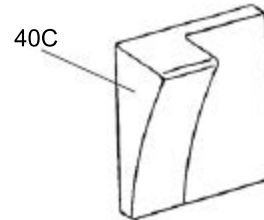
40B

Padding 395-E01-xxx



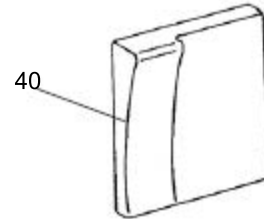
40G

Padding 395-E02-xxx



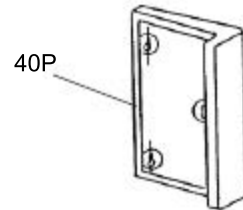
40C

Padding 395-E03-xxx



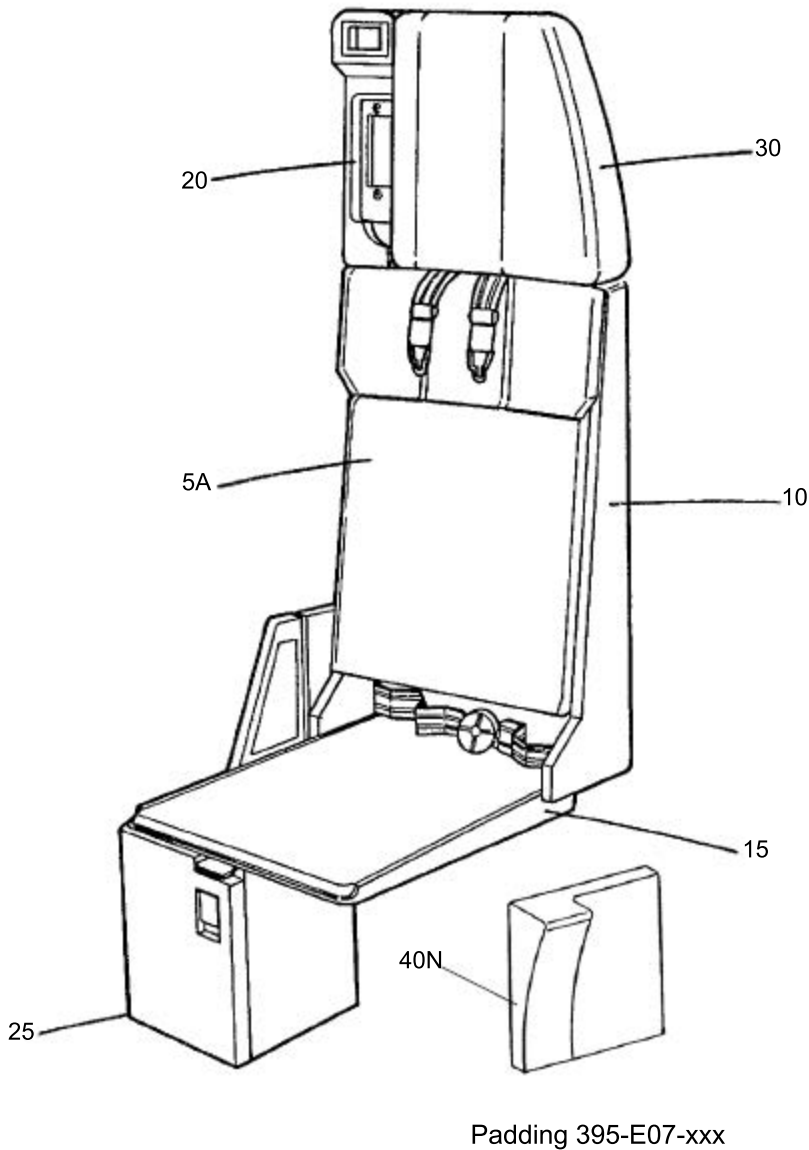
40

Padding 395-E04-xxx



40P

Padding 395-E05-xxx



Padding 395-E07-xxx

**ROTATING SEAT ASSEMBLY**

Figure 1D/GRAPHIC-25-11-79-991-801-E01

**Zodiac Seats France**  
**COMPONENT MAINTENANCE MANUAL**  
**RL-SERIES**

FIG. ITEM	PART NUMBER	AIRLINE PART No.	NOMENCLATURE	USAGE CODE	UNITS PER ASSY
1D			1234567		
- 1A	RL47FYF31S10057		ROTATING SEAT ASSEMBLY (WITH INTERCOM) SEE TABLE 6001 FOR COLORS PRE SB 161-25-169	A	RF
- 1B	RL47FYD3YS10071		ROTATING SEAT ASSEMBLY (WITH INTERCOM) SEE TABLE 6001 FOR COLORS	B	RF
- 1C	RL27FYU31S10059		ROTATING SEAT ASSEMBLY (WITH INTERCOM) SEE TABLE 6001 FOR COLORS	C	RF
- 1D	RL27FYU3YS00082		ROTATING SEAT ASSEMBLY (WITH INTERCOM) SEE TABLE 6001 FOR COLORS	D	RF
- 1E	RL27FYU3YS10054		ROTATING SEAT ASSEMBLY (WITH INTERCOM) SEE TABLE 6001 FOR COLORS	E	RF
- 1F	RL27FYU3YS00054		ROTATING SEAT ASSEMBLY (WITH INTERCOM) SEE TABLE 6001 FOR COLORS PRE SB 161-25-143	F	RF
- 1G	RL27FYU3YS10079		ROTATING SEAT ASSEMBLY (WITH INTERCOM) SEE TABLE 6001 FOR COLORS	G	RF
- 1H	RL47FYU3YS10077		ROTATING SEAT ASSEMBLY (WITH INTERCOM) SEE TABLE 6001 FOR COLORS	H	RF
- 1J	RL47FYU3YS00047		ROTATING SEAT ASSEMBLY (WITH INTERCOM) SEE TABLE 6001 FOR COLORS	J	RF
- 1K	RL27FYU3YS00047		ROTATING SEAT ASSEMBLY (WITH INTERCOM) SEE TABLE 6001 FOR COLORS POST SB 161-25-140	K	RF
- 1L	RL47FYD3YS30071		ROTATING SEAT ASSEMBLY (WITH INTERCOM) SEE TABLE 6001 FOR COLORS	L	RF
- 1M	RL27FYU3YS10084		ROTATING SEAT ASSEMBLY (WITH INTERCOM) SEE TABLE 6001 FOR COLORS	M	RF
- 1N	RL27FYU3YS00074		ROTATING SEAT ASSEMBLY (WITH INTERCOM) SEE TABLE 6001 FOR COLORS	N	RF
- 1P	RL27FYU3YS10056		ROTATING SEAT ASSEMBLY (WITH INTERCOM) SEE TABLE 6001 FOR COLORS PRE SB 161-25-146	P	RF

- ITEM NOT ILLUSTRATED

**Zodiac Seats France**  
**COMPONENT MAINTENANCE MANUAL**  
**RL-SERIES**

FIG. ITEM	PART NUMBER	AIRLINE PART No.	NOMENCLATURE	USAGE CODE	UNITS PER ASSY
1D			1234567		
- 1Q	RL27FYU3YS10076		ROTATING SEAT ASSEMBLY (WITH INTERCOM) SEE TABLE 6001 FOR COLORS	Q	RF
- 1R	RL27FYU3YS00036		ROTATING SEAT ASSEMBLY (WITH INTERCOM) SEE TABLE 6001 FOR COLORS	R	RF
- 1S	RL27FYU3YS00061		ROTATING SEAT ASSEMBLY (WITH INTERCOM) SEE TABLE 6001 FOR COLORS	S	RF
- 1T	RL47FYU3YS10047		ROTATING SEAT ASSEMBLY (WITH INTERCOM) SEE TABLE 6001 FOR COLORS	T	RF
- 1U	RL27FYU3YS10080		ROTATING SEAT ASSEMBLY (WITH INTERCOM) SEE TABLE 6001 FOR COLORS	U	RF
- 1V	RL27FYU3YS00055		ROTATING SEAT ASSEMBLY (WITH INTERCOM) SEE TABLE 6001 FOR COLORS	V	RF
- 1W	RL47FYB3YS00085		ROTATING SEAT ASSEMBLY (WITH INTERCOM) PRE SB SB160-25-149	W	RF
- 1X	RL47FYF31S10S05		ROTATING SEAT ASSEMBLY (WITH INTERCOM) SEE TABLE 6001 FOR COLORS	X	RF
5A	RL111		UPHOLSTERY INSTALLATION <a href="#">SEE FIG. 2B FOR DET</a>	NP A	1
- 5B	RL159		UPHOLSTERY INSTALLATION <a href="#">SEE FIG. 2A FOR DET</a>	NP B L	1
- 5C	RL99		UPHOLSTERY INSTALLATION <a href="#">SEE FIG. 2B FOR DET</a>	NP C	1
- 5D	RL100		UPHOLSTERY INSTALLATION <a href="#">SEE FIG. 2B FOR DET</a>	NP D	1
- 5E	RL168		UPHOLSTERY INSTALLATION <a href="#">SEE FIG. 2B FOR DET</a>	NP E F J K P Q R U	1
- 5F	RL169		UPHOLSTERY INSTALLATION <a href="#">SEE FIG. 2B FOR DET</a>	NP G S	1
- 5G	RL170		UPHOLSTERY INSTALLATION <a href="#">SEE FIG. 2B FOR DET</a>	NP H	1
- 5H	RL171		UPHOLSTERY INSTALLATION <a href="#">SEE FIG. 2B FOR DET</a>	NP M	1
- 5J	RL172		UPHOLSTERY INSTALLATION <a href="#">SEE FIG. 2B FOR DET</a>	NP N	1
- 5K	RL107		UPHOLSTERY INSTALLATION <a href="#">SEE FIG. 2B FOR DET</a>	NP T	1

- ITEM NOT ILLUSTRATED

**25-11-79**

Page 10001D-2  
Jul 23/18

**Zodiac Seats France**  
**COMPONENT MAINTENANCE MANUAL**  
**RL-SERIES**

FIG. ITEM	PART NUMBER	AIRLINE PART No.	NOMENCLATURE	USAGE CODE	UNITS PER ASSY
			1234567		
1D					
- 5L	RL173		. UPHOLSTERY INSTALLATION SEE FIG. 2B FOR DET	NP V	1
- 5M	RL174		. UPHOLSTERY INSTALLATION SEE FIG. 2B FOR DET	NP W	1
- 5N	RL117		. UPHOLSTERY INSTALLATION SEE FIG. 2B FOR DET	NP X	1
10	RL164		. STRUCTURE ASSEMBLY SEE FIG. 3 FOR DET	NP A B H M	1
10A	RL147		. STRUCTURE ASSEMBLY SEE FIG. 3 FOR DET	NP C E G P Q T U	1
- 10B	RL145		. STRUCTURE ASSEMBLY SEE FIG. 3 FOR DET	NP D F J K N R S V W	1
- 10C	RL110		. STRUCTURE ASSEMBLY SEE FIG. 3 FOR DET	NP L	1
- 10D	RL118		. STRUCTURE ASSEMBLY SEE FIG. 3 FOR DET	NP X	1
15	RL137		. BOTTOM EQUIPPED AND FIXING SEE FIG. 4 FOR DET	NP	1
20	RL149		. INTERCOM HANDSET INSTALLATION SEE FIG. 5 FOR DET	NP	1
25	RL150		. SEAT ATTACHMENT SEE FIG. 6 FOR DET	NP	1
30	RL156		. HEADREST ASSEMBLY WITH BUMPER SEE FIG. 7 FOR DET	NP A	1
- 30A	RL155		. HEADREST ASSEMBLY SEE FIG. 7 FOR DET	NP C	1
- 30B	RL153		. HEADREST ASSEMBLY SEE FIG. 7 FOR DET	NP D E F G K M N P Q R S U V	1
- 30C	RL154		. HEADREST ASSEMBLY (SMOKE HOOD) SEE FIG. 7 FOR DET	NP B H J L T W	1
- 30D	RL119		. HEADREST ASSEMBLY WITH BUMPER SEE FIG. 7 FOR DET	NP X	1
35	00-5008		. IDENTIFICATION PLATE (F215118)		1
40	395E04-057		. EDGE PADDING (F226357)	A	1
- 40A	395E04-071		. EDGE PADDING (F226951)	B	1
40B	395E01-059		. EDGE PADDING (F226422)	C	1

- ITEM NOT ILLUSTRATED

**Zodiac Seats France**  
**COMPONENT MAINTENANCE MANUAL**  
**RL-SERIES**

FIG. ITEM	PART NUMBER	AIRLINE PART No.	NOMENCLATURE	USAGE CODE	UNITS PER ASSY
1D					
40C	395E03-082		. EDGE PADDING (F242231)	D	1
- 40D	395E03-054		. EDGE PADDING (F226286) (VALID FOR 10X01, 10X02, 89Y01, AAR04-D1, AAR06-D1 AND ON, AFL01, AFL04, AMM01-D4, AMM01-D1-D2-D3-D5, AMM02, B2A02-D7-D9, BA2, BA3, BA4, BA5, BW06, C9G09, C9G10, C9G11, C9G14, CES02, CES02-D11-D12-D13, CES03, CM01, D2F01, D2F02, D2F04, D2F05, DP1, DR1, EIN04, EIN05, G2X04, G8E03-D20-D21, G8E07, GZ2, GZ3, HVN01, I2L12, I2L14, I2L16, I2L19, I2L22, I2L25, I2L26, I2L28, I2L29, I2L34, JK2, JKK02-D5, KFR03, KFR03-D2 AND ON, LS1, MK1, MU1-D4, MXA02, MXA03, S2A09, XY01)	E F	1
- 40E	395E01-054		. EDGE PADDING (F226737) (VALID FOR 47W01, AFL02, AY01, BA1, BLR01, CJ1, C8J02-D1, C8J02-D1-D3, C8J02-D2, C8J02-D4-D5, CSC03, CYP02, FFT01, FFT02, FN1, GW5-D5-D8, I2L18, I2L23, I2L30, KFR04, KFR04-D6, MXA04, OZ3, RAM01, RAM01-D4 AND ON, SN2-D16-D17, TGW01, VX2, XY2)	E F	1
- 40F	395E04-054		. EDGE PADDING (F241006) (VALID FOR IBE06, IBE07-D1 & ON, IBE07-D7 & ON, IBE08-D1 & ON)	E	1
40G	395E02-054		. EDGE PADDING (F276081) (VALID FOR AAR04-D2 AND ON, SN2-48E-MX)	F	1
- 40H	395E03-079		. EDGE PADDING (F241299)	G	1
- 40J	395E04-077		. EDGE PADDING (F241099)	H	1
- 40K	395E04-047		. EDGE PADDING (F210108)	J	1

- ITEM NOT ILLUSTRATED

**25-11-79**

Page 10001D-4  
Jul 23/18

**Zodiac Seats France**  
**COMPONENT MAINTENANCE MANUAL**  
**RL-SERIES**

FIG. ITEM	PART NUMBER	AIRLINE PART No.	NOMENCLATURE	USAGE CODE	UNITS PER ASSY
			1234567		
1D					
- 40L	395E03-047		. EDGE PADDING (F209866)	K	1
- 40M	395E04-071		. EDGE PADDING (F226951) (VALID FOR AF3-D18-D19- D21-D24-D26-D28-D30, AFR05, AFR07, AFR09, AFR10, AFR12, AFR13, AFR14 AND ON, AFR15-D1 AND ON)	L	1
40N	395E07-071		. EDGE PADDING (F287424) (VALID FOR AFR06)	L	1
40P	395E05-071		. EDGE PADDING (F226921) (VALID FOR AF3-D18, AF3-D19, AF3-D21)	L	1
- 40Q	395E01-071		. EDGE PADDING (F241753) (VALID FOR AFR11, AFR16-D1 & ON)	L	1
- 40R	395E03-084		. EDGE PADDING (F262680) (VALID FOR GW3-D8, GW3-D9, GZ1, LTU01, LTU02)	M	1
- 40S	395E01-084		. EDGE PADDING (F262391) (VALID FOR XY3)	M	1
- 40T	395E02-074		. EDGE PADDING (F240953) (VALID FOR SN2-D14 & ON)	N	1
- 40U	395E03-074		. EDGE PADDING (F241202) (VALID FOR SN3-D3 & ON, WS06)	N	1
- 40V	395E03-056		. EDGE PADDING (F226388)	P	1
- 40W	395E03-076		. EDGE PADDING (F240999)	Q	1
- 40X	395E03-061		. EDGE PADDING (F226508)	S	1
- 40Y	395E01-047		. EDGE PADDING (F226194)	T	1
- 40Z	395E03-080		. EDGE PADDING (F241646)	U	1
- 45	153951CXX		.. COVERED CUSHION	A B H J	1
- 45A	153953-1CXX		.. COVERED CUSHION	C	1
- 45B	153952CXX		.. COVERED CUSHION	D G K P Q S U	1

- ITEM NOT ILLUSTRATED

**25-11-79**

Page 10001D-5  
Jul 23/18

**Zodiac Seats France**  
**COMPONENT MAINTENANCE MANUAL**  
**RL-SERIES**

FIG. ITEM	PART NUMBER	AIRLINE PART No.	NOMENCLATURE	USAGE CODE	UNITS PER ASSY
1D			1234567		
- 45C	153951CXX		.. COVERED CUSHION (VALID FOR IBE06, IBE07-D1 & ON, IBE07-D7 & ON, IBE08-D1 & ON)	E	1
- 45D	153952CXX		.. COVERED CUSHION (VALID FOR 10X01, 10X02, 89Y01, AAR04-D1, AAR06-D1 AND ON, AFL01, AFL04, AMM01-D4, AMM01-D1-D2-D3-D5, AMM02, B2A02-D7-D9, BA2, BA3, BA4, BA5, BW06, C9G09, C9G10, C9G11, C9G14, CES02, CES02-D11-D12-D13, CES03, CM01, D2F01, D2F02, D2F04, D2F05, DP1, DR1, EIN04, EIN05, G2X04, G8E03-D20-D21, G8E07, GZ2, GZ3, HVN01, I2L12, I2L14, I2L16, I2L19, I2L22, I2L25, I2L26, I2L28, I2L29, I2L34, JK2, JKK02-D5, KFR03, KFR03-D2 AND ON, LS1, MK1, MU1-D4, MXA02, MXA03, S2A09, XY01)	E F	1
- 45E	153953CXX		.. COVERED CUSHION (VALID FOR 47W01, AFL02, AY01, BA1, BLR01, CJ1 C8J02-D1, C8J02-D1-D3, C8J02-D2, C8J02-D4-D5, CSC03, CYP02, FFT01, FFT02, FN1, GW5-D5-D8, I2L18, I2L23, I2L30, KFR04, KFR04-D6, MXA04, OZ3, RAM01, RAM01-D4 AND ON, SN2-D16-D17, TGW01, VX2, XY2)	E F	1
- 45F	153954CXX		.. COVERED CUSHION (VALID FOR AAR04-D2 AND ON AND SN2-48E-MX)	F	1
- 45G	153952CXX		.. COVERED CUSHION (VALID FOR AF3-D18-D19- D21-D24-D26-D28-D30, AFR05, AFR07, AFR09, AFR10, AFR12, AFR13, AFR14 AND ON, AFR15-D1 AND ON)	L	1
- 45H	153953CXX		.. COVERED CUSHION (VALID FOR AFR11, AFR15-D1 & ON)	L	1
- 45J	153956CXX		.. COVERED CUSHION (VALID FOR AFR06)	L	1

- ITEM NOT ILLUSTRATED

**25-11-79**

Page 10001D-6  
Jul 23/18

**Zodiac Seats France**  
**COMPONENT MAINTENANCE MANUAL**  
**RL-SERIES**

FIG. ITEM	PART NUMBER	AIRLINE PART No.	NOMENCLATURE	USAGE CODE	UNITS PER ASSY
1D			1234567		
- 45K	153955CXX		.. COVERED CUSHION (VALID FOR AF3-D18, AF3-D19 & AF3-D21)	L	1
- 45L	153951CXX		.. COVERED CUSHION (VALID FOR GW3-D8, GW3-D9, GZ1, LTU01, LTU02)	M	1
- 45M	153953CXX		.. COVERED CUSHION (VALID FOR XY3)	M	1
- 45N	153952CXX		.. COVERED CUSHION (VALID FOR SN3-D3 & ON, WS06)	N	1
- 45P	153954CXX		.. COVERED CUSHION (VALID FOR SN2-D14 & ON)	N	1
- 45Q	153953CXX		.. COVERED CUSHION	T	1
- 46	153953-01CXX		... COVER	E F L M T	1
47	153953-02		... FOAM (F074162)	E F L M T	1
- 48	395E03-055		. EDGE PADDING (F226295) (VALID FOR C8J02-D8, C9G12-D11, S2A10, S2A11-D3 & ON, QTR01, WS05)	V	1
- 48A	395E04-085		. EDGE PADDING (F262697)	W	1
- 48B	395E08-036		. EDGE PADDING (F0504051)	R	1
- 48C	395E09-071		. EDGE PADDING (F0504280)	B L	1
- 49	153951CXX		.. COVERED CUSHION	W	1
- 49A	153952CXX		.. COVERED CUSHION (VALID FOR C8J02-D8, C9G12-D11, S2A10, S2A11-D3 & ON, QTR01, WS05)	V	1
50	395F02-054		. FLAT PADDING (F241222) (VALID FOR AAR02-D4, AAR02-D5, AAR02-D7, AAR05, AFL03, JK1, XF10, XY6)	E F	1
- 50A	395F02-036		. FLAT PADDING (F106082)	R	1
- 50B	395F02-055		. FLAT PADDING (F300650) (VALID FOR QTR02)	V	1
- 50C	395F08-036		. EDGE PADDING (F0504040)	R	1

- ITEM NOT ILLUSTRATED

**Zodiac Seats France**  
**COMPONENT MAINTENANCE MANUAL**  
**RL-SERIES**

FIG. ITEM	PART NUMBER	AIRLINE PART No.	NOMENCLATURE	USAGE CODE	UNITS PER ASSY
1D					
- 55	153962CXX		.. COVERED CUSHION (VALID FOR AAR02-D4, AAR02-D5, AAR02-D7, AAR05, AFL03, JK1, XF10, XY6)	E F	1
- 55A	153962CXX		.. COVERED CUSHION	R	1
- 55B	153962CXX		.. COVERED CUSHION (VALID FOR QTR02)	V	1

- ITEM NOT ILLUSTRATED

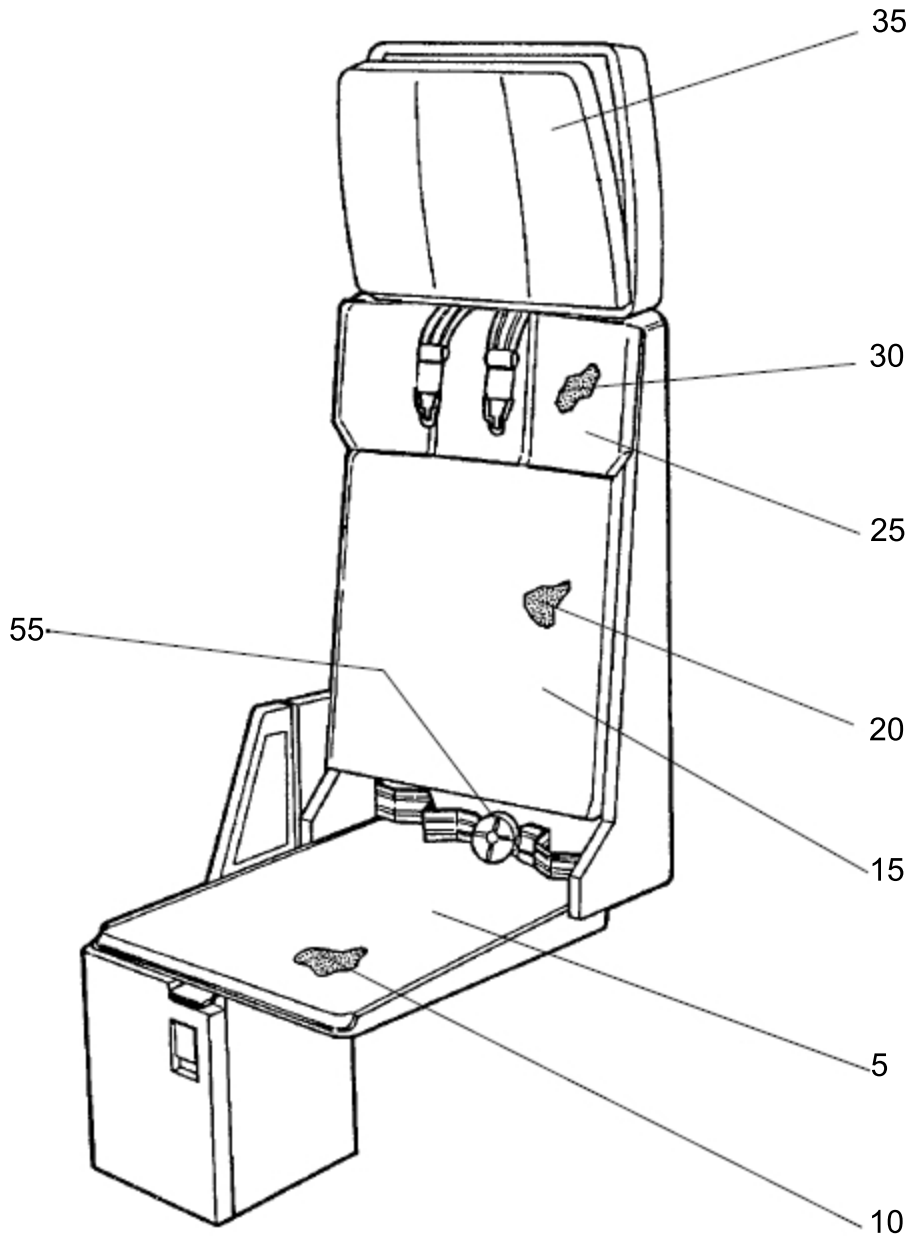
**25-11-79**

Page 10001D-8  
Jul 23/18

**Zodiac Seats France**  
**COMPONENT MAINTENANCE MANUAL**  
**RL-SERIES**

THIS PAGE INTENTIONALLY LEFT BLANK

Zodiac Seats France  
COMPONENT MAINTENANCE MANUAL  
RL-SERIES



UPHOLSTERY INSTALLATION  
Figure 2/GRAPHIC-25-11-79-991-802-A01

**Zodiac Seats France**  
**COMPONENT MAINTENANCE MANUAL**  
**RL-SERIES**

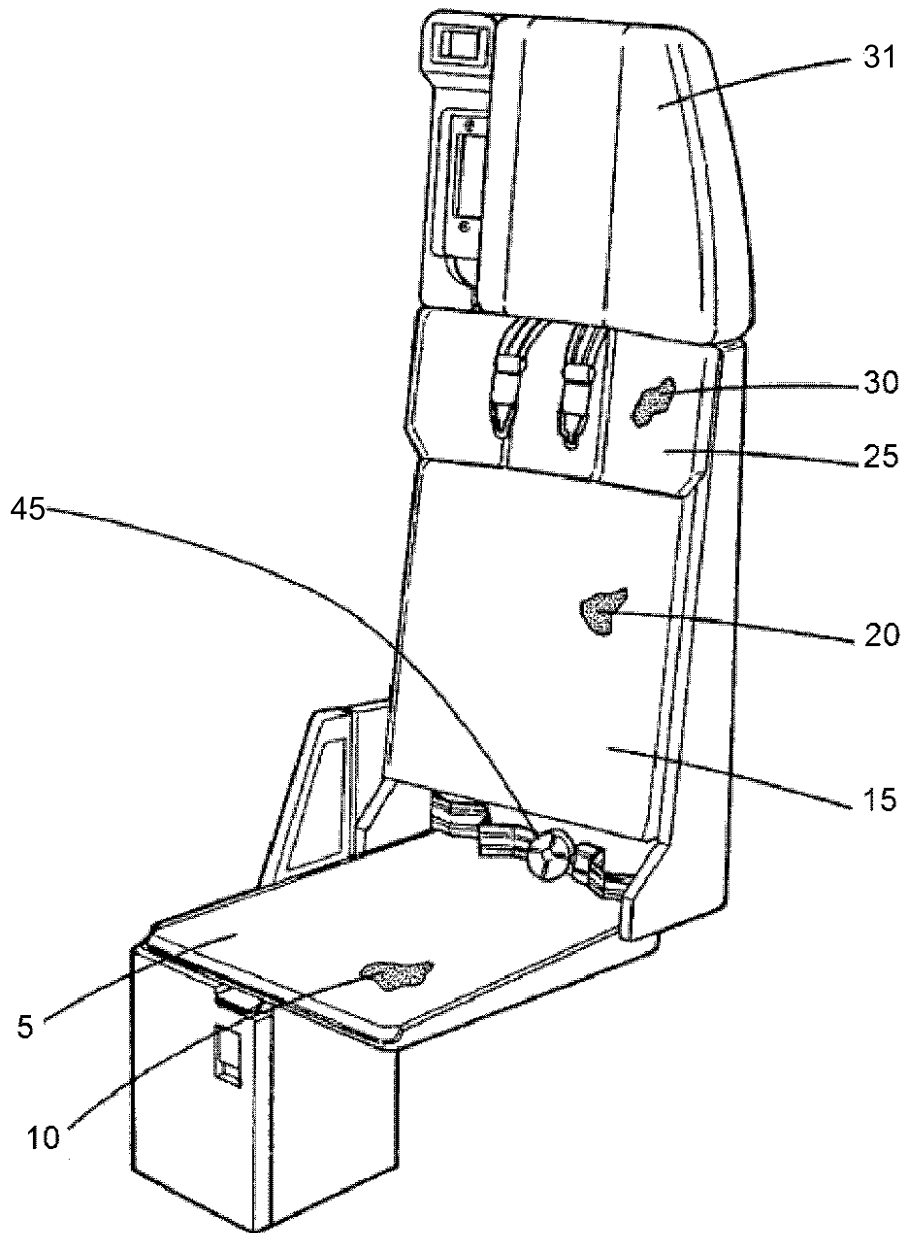
FIG. ITEM	PART NUMBER	AIRLINE PART No.	NOMENCLATURE	USAGE CODE	UNITS PER ASSY
2			1234567		
- 1	RL42		UPHOLSTERY INSTALLATION SEE FIG. 1 FOR NHA	NP A	RF
- 1A	RL112		UPHOLSTERY INSTALLATION SEE FIG. 1 FOR NHA	NP B	RF
5	153700-02CXX		. COVER, BOTTOM		1
10	153700-01		. FOAM, BOTTOM (F074091)		1
15	153710-02CXX		. COVER, LOWER BACKREST		1
20	153710-01		. FOAM, LOWER BACKREST (F074099)		1
25	153730-02CXX		. COVER, UPPER BACKREST		1
30	153730-01		. UPPER BACKREST CUSHION (F074111)		1
35	153812		. HEADREST ASSY (F209935) (SMOKE HOOD) (SEE FIG. 7 ITEM 5C FOR DET) SUPSD BY 153818-000-0 PRE SB 160-25-104	NP	1
- 35A	153818-000-0		. HEADREST ASSY (SMOKE HOOD) (SEE FIG. 7 ITEM 5F FOR DET) SUPSDS 153812 POST SB 160-25-104	NP	1
55	4005-1-011-9006		. RESTRAINT SYSTEM ASSY (F262086) (PEPPERDUST)	35FB9 A	1
- 55A	4005-1-021-9006		. RESTRAINT SYSTEM ASSY (F262959) (PEPPERDUST)	35FB9 B	1

- ITEM NOT ILLUSTRATED

**25-11-79**

Page 10002-1  
Jul 23/18

Zodiac Seats France  
COMPONENT MAINTENANCE MANUAL  
RL-SERIES



UPHOLSTERY INSTALLATION  
Figure 2A/GRAPHIC-25-11-79-991-802-B01

**25-11-79**

Page 10002A-0  
Jul 23/18

**Zodiac Seats France**  
**COMPONENT MAINTENANCE MANUAL**  
**RL-SERIES**

FIG. ITEM	PART NUMBER	AIRLINE PART No.	NOMENCLATURE	USAGE CODE	UNITS PER ASSY
2A			1234567		
- 1	RL38		UPHOLSTERY INSTALLATION SEE FIG. 1A FOR NHA	NP A	RF
- 1A	RL130		UPHOLSTERY INSTALLATION SEE FIG. 1A FOR NHA	NP B	RF
- 1B	RL140		UPHOLSTERY INSTALLATION SEE FIG. 1A FOR NHA SEE FIG. 1B FOR NHA	NP C	RF
- 1C	RL141		UPHOLSTERY INSTALLATION SEE FIG. 1A FOR NHA	NP D	RF
- 1D	RL43		UPHOLSTERY INSTALLATION SEE FIG. 1A FOR NHA	NP E	RF
- 1E	RL44		UPHOLSTERY INSTALLATION SEE FIG. 1A FOR NHA	NP F	RF
- 1F	RL142		UPHOLSTERY INSTALLATION SEE FIG. 1A FOR NHA	NP G	RF
- 1G	RL136		UPHOLSTERY INSTALLATION SEE FIG. 1A FOR NHA SEE FIG. 1B FOR NHA	NP H	RF
- 1H	RL47		UPHOLSTERY INSTALLATION SEE FIG. 1A FOR NHA SEE FIG. 1B FOR NHA	NP J	RF
- 1J	RL48		UPHOLSTERY INSTALLATION SEE FIG. 1A FOR NHA SEE FIG. 1B FOR NHA	NP K	RF
- 1L	RL51		UPHOLSTERY INSTALLATION SEE FIG. 1A FOR NHA SEE FIG. 1B FOR NHA	NP L	RF
- 1M	RL52		UPHOLSTERY INSTALLATION SEE FIG. 1A FOR NHA	NP M	RF
- 1N	RL144		UPHOLSTERY INSTALLATION SEE FIG. 1A FOR NHA	NP N	RF
- 1P	RL71		UPHOLSTERY INSTALLATION SEE FIG. 1A FOR NHA	NP P	RF
- 1Q	RL72		UPHOLSTERY INSTALLATION SEE FIG. 1A FOR NHA	NP Q	RF
- 1R	RL73		UPHOLSTERY INSTALLATION SEE FIG. 1A FOR NHA	NP R	RF
- 1S	RL74		UPHOLSTERY INSTALLATION SEE FIG. 1A FOR NHA SEE FIG. 1B FOR NHA	NP S	RF
- 1T	RL75		UPHOLSTERY INSTALLATION SEE FIG. 1A FOR NHA SEE FIG. 1B FOR NHA SEE FIG. 1C FOR NHA	NP T	RF
- 1U	RL76		UPHOLSTERY INSTALLATION SEE FIG. 1B FOR NHA	NP U	RF
- 1V	RL157		UPHOLSTERY INSTALLATION SEE FIG. 1B FOR NHA	NP V	RF

- ITEM NOT ILLUSTRATED

**25-11-79**

Page 10002A-1  
Jul 23/18

**Zodiac Seats France**  
**COMPONENT MAINTENANCE MANUAL**  
**RL-SERIES**

FIG. ITEM	PART NUMBER	AIRLINE PART No.	NOMENCLATURE	USAGE CODE	UNITS PER ASSY
			1234567		
2A					
- 1W	RL158		UPHOLSTERY INSTALLATION SEE FIG. 1B FOR NHA	NP W	RF
- 1X	RL80		UPHOLSTERY INSTALLATION SEE FIG. 1B FOR NHA	NP X	RF
- 1Y	RL159		UPHOLSTERY INSTALLATION SEE FIG. 1B FOR NHA SEE FIG. 1D FOR NHA	NP Y	RF
5	153700-02CXX		. COVER, BOTTOM	A B C D E F G H J K L M N P Q S T U V W X Y	1
- 5A	153727-18CXX		. BOTTOM COVER	R	1
10	153700-01		. FOAM, BOTTOM (F074091)	A B C D E F G H J K L M N P Q S T U V W X Y	1
- 10A	153727-17		. LOWER BACKREST FOAM (F091788)	R	1
15	153710-02CXX		. COVER, LOWER BACKREST	A B C D E F G H J K L M N P Q S T U V W X Y	1
- 15A	153727-14CXX		. BACKREST COVER	R	1
20	153710-01		. FOAM, LOWER BACKREST (F074099)	A B C D E F G H J K L M N P Q S T U V W X Y	1
- 20A	153727-12		. BACKREST CUSHION (F091795)	R	1
25	153720-02CXX		. COVER, UPPER BACKREST	A B E H K L M N Q S T U V W	1
- 25A	153730-02CXX		. COVER, UPPER BACKREST	C D F G K P X Y	1
- 25B	153727-10CXX		. UPPER BACKREST COVER	R	1

- ITEM NOT ILLUSTRATED

**Zodiac Seats France**  
**COMPONENT MAINTENANCE MANUAL**  
**RL-SERIES**

FIG. ITEM	PART NUMBER	AIRLINE PART No.	NOMENCLATURE	USAGE CODE	UNITS PER ASSY
2A			1234567		
30	153720-01		. UPPER BACKREST CUSHION (F074104)	A B E H K L M N Q S T U V W	1
- 30A	153730-01		. UPPER BACKREST CUSHION (F074111)	C D F G K P X Y	1
- 30B	153727-08		. UPPER BACKREST FOAM (F091791)	R	1
31	153827-2		. HEADREST, ASSY (SEE FIG. 7 ITEM 5 FOR DET)	NP A B E H K L M N Q S T U V W	1
- 31A	153847-3		. CUSHION ASSY, HEADREST (SMOKE HOOD) (SEE FIG. 7 ITEM 5A FOR DET) SUPSD BY 153849-000-1 PRE SB 160-25-104	NP C D F G K P X Y	1
- 31B	153827-3		. HEADREST ASSY (SEE FIG. 7 ITEM 5B FOR DET)	NP R	1
- 31C	153849-000-1		. CUSHION ASSY, HEADREST (SMOKE HOOD) SEE FIG. 7 ITEM 5E FOR DET SUPSDS 153847-3 POST SB 160-25-104	NP C D F G K P X Y	1
45	2100018-03-048		. RESTRAINT SYSTEM ASSY (F209920) (STORM GRAY)	45402 E	1
- 45A	504303-401-3294		. RESTRAINT SYSTEM ASSY SUPSD BY 4005-1-011-3294	35FB9 H	1
- 45B	504303-405-9006		. RESTRAINT SYSTEM ASSY (FRT2462) (PEPPERDUST)	35FB9 J K	1
- 45C	502655-403-9006		. RESTRAINT SYSTEM ASSY (F226206) (PEPPERDUST)	35FB9 L	1
- 45D	1-08-065210		. RESTRAINT SYSTEM ASSY (F209406) (PEPPERDUST)	C1694 M	1
- 45E	2100014-03-245		. RESTRAINT SYSTEM ASSY (F226410) (PEPPERDUST)	45402 N	1
- 45F	504303-405-8026		. RESTRAINT SYSTEM ASSY (F226396) (DARK GRAY)	35FB9 P T	1
- 45G	504303-405-8016		. RESTRAINT SYSTEM ASSY (F226398) (SILVER GRAY)	35FB9 Q	1

- ITEM NOT ILLUSTRATED

**25-11-79**

Page 10002A-3  
Jul 23/18

**Zodiac Seats France**  
**COMPONENT MAINTENANCE MANUAL**  
**RL-SERIES**

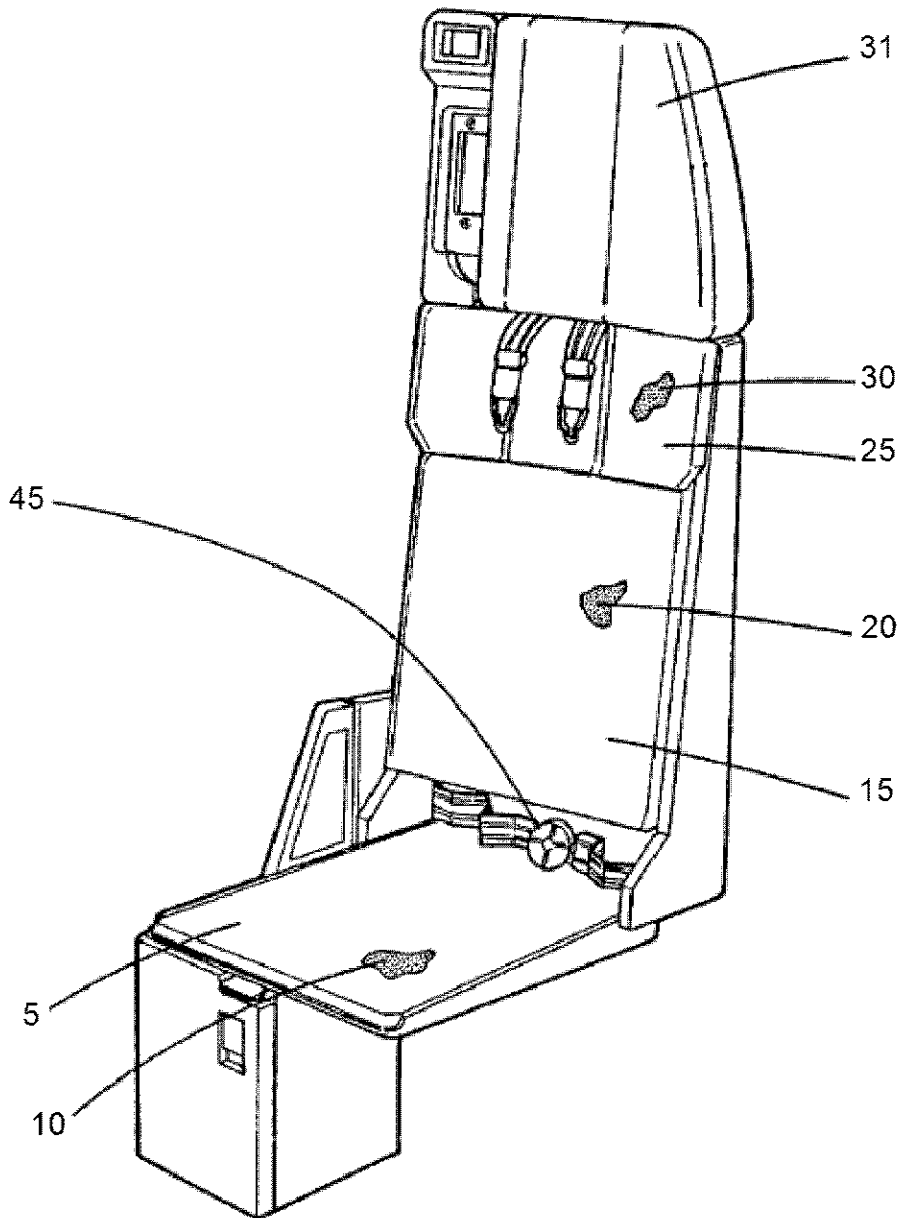
FIG. ITEM	PART NUMBER	AIRLINE PART No.	NOMENCLATURE	USAGE CODE	UNITS PER ASSY
2A			1234567		
- 45H	504303-405-9001		. RESTRAINT SYSTEM ASSY (F226400) (INDIGO BLUE)	35FB9 R	1
- 45J	504303-405-1860		. RESTRAINT SYSTEM ASSY (F226395) (BURGUNDY)	35FB9 S	1
- 45K	2100018-03-245		. RESTRAINT SYSTEM ASSY (F226633) (PEPPERDUST)	45402 U	1
- 45L	2100018-13-104		. RESTRAINT SYSTEM ASSY (F226934) (DARK GRAY)	45402 V	1
- 45M	502868-411-2258		. RESTRAINT SYSTEM ASSY (F240988) (MIDNIGHT BLUE)	35FB9 W	1
- 45N	504303-405-2266		. RESTRAINT SYSTEM ASSY (F226642) (GULL GRAY)	35FB9 X	1
- 45P	2100018-03-104		. RESTRAINT SYSTEM ASSY (F226579) (BLUE NEW AGE)	45402 Y	1
- 45Q	4005-1-011-3294		. RESTRAINT SYSTEM ASSY (F262472) (BLACK BLUE)	35FB9 H	1
- 45R	150930		. RESTRAINT SYSTEM ASSY (F067499) SUPSDS 504303-401-3294	35FB9 F	1
- 45S	150925		. RESTRAINT SYSTEM ASSY (F067498)	35FB9 G	1
- 45T	150965		. RESTRAINT SYSTEM ASSY (F103749)	35FB9 D	1

- ITEM NOT ILLUSTRATED

**Zodiac Seats France**  
**COMPONENT MAINTENANCE MANUAL**  
**RL-SERIES**

THIS PAGE INTENTIONALLY LEFT BLANK

Zodiac Seats France  
COMPONENT MAINTENANCE MANUAL  
RL-SERIES



UPHOLSTERY INSTALLATION  
Figure 2B/GRAPHIC-25-11-79-991-802-C01

**Zodiac Seats France**  
**COMPONENT MAINTENANCE MANUAL**  
**RL-SERIES**

FIG. ITEM	PART NUMBER	AIRLINE PART No.	NOMENCLATURE	USAGE CODE	UNITS PER ASSY
			1234567		
2B					
- 1	RL160		UPHOLSTERY INSTALLATION SEE FIG. 1B FOR NHA	NP A	RF
- 1A	RL161		UPHOLSTERY INSTALLATION SEE FIG. 1B FOR NHA	NP B	RF
- 1B	RL162		UPHOLSTERY INSTALLATION SEE FIG. 1B FOR NHA	NP C	RF
- 1C	RL99		UPHOLSTERY INSTALLATION SEE FIG. 1D FOR NHA	NP D	RF
- 1D	RL100		UPHOLSTERY INSTALLATION SEE FIG. 1D FOR NHA	NP E	RF
- 1E	RL168		UPHOLSTERY INSTALLATION SEE FIG. 1C FOR NHA SEE FIG. 1D FOR NHA	NP F	RF
- 1F	RL169		UPHOLSTERY INSTALLATION SEE FIG. 1D FOR NHA	NP G	RF
- 1G	RL170		UPHOLSTERY INSTALLATION SEE FIG. 1D FOR NHA	NP H	RF
- 1H	RL171		UPHOLSTERY INSTALLATION SEE FIG. 1D FOR NHA	NP J	RF
- 1J	RL172		UPHOLSTERY INSTALLATION SEE FIG. 1D FOR NHA	NP K	RF
- 1K	RL107		UPHOLSTERY INSTALLATION SEE FIG. 1C FOR NHA SEE FIG. 1D FOR NHA	NP L	RF
- 1L	RL173		UPHOLSTERY INSTALLATION SEE FIG. 1D FOR NHA	NP M	RF
- 1M	RL174		UPHOLSTERY INSTALLATION SEE FIG. 1D FOR NHA	NP N	RF
- 1N	RL111		UPHOLSTERY INSTALLATION SEE FIG. 1A FOR NHA SEE FIG. 1D FOR NHA	NP P	RF
- 1P	RL113		UPHOLSTERY INSTALLATION SEE FIG. 1C FOR NHA	NP Q	RF
- 1Q	RL114		UPHOLSTERY INSTALLATION SEE FIG. 1C FOR NHA	NP R	RF
- 1R	RL115		UPHOLSTERY INSTALLATION SEE FIG. 1C FOR NHA	NP S	RF
- 1S	RL116		UPHOLSTERY INSTALLATION SEE FIG. 1C FOR NHA	NP T	RF
- 1T	RL117		UPHOLSTERY INSTALLATION SEE FIG. 1D FOR NHA	NP U	RF
- 1U	RL120		UPHOLSTERY INSTALLATION SEE FIG. 1C FOR NHA	NP V	RF
5	153700-02CXX		. COVER, BOTTOM	A B C E F G H J K L M N P Q R S T U V	1

- ITEM NOT ILLUSTRATED

**Zodiac Seats France**  
**COMPONENT MAINTENANCE MANUAL**  
**RL-SERIES**

FIG. ITEM	PART NUMBER	AIRLINE PART No.	NOMENCLATURE	USAGE CODE	UNITS PER ASSY
2B			1234567		
- 5A	153727-18CXX		. BOTTOM COVER	D	1
10	153700-01		. FOAM, BOTTOM (F074091)	A B C E F G H J K L M N P Q R S T U V	1
- 10A	153727-17		. LOWER BACKREST FOAM (F091788)	D	1
15	153710-02CXX		. COVER, LOWER BACKREST	A B C E F G H J K L M N P Q R S T U V	1
- 15A	153727-14CXX		. BACKREST COVER	D	1
20	153710-01		. FOAM, LOWER BACKREST (F074099)	A B C E F G H J K L M N P Q R S T U V	1
- 20A	153727-12		. BACKREST CUSHION (F091795)	D	1
25	153720-02CXX		. COVER, UPPER BACKREST	B E F G J K M Q	1
- 25A	153730-02CXX		. COVER, UPPER BACKREST	A C L N P R S T U V	1
- 25B	153727-10CXX		. UPPER BACKREST COVER	D	1
30	153720-01		. UPPER BACKREST CUSHION (F074104)	B E F G J K M Q	1
- 30A	153730-01		. UPPER BACKREST CUSHION (F074111)	A C L N P R S T U V	1
- 30B	153727-08		. UPPER BACKREST FOAM (F091791)	D	1
31	153847-3		. CUSHION ASSY, HEADREST (SMOKE HOOD) (SEE FIG. 7 ITEM 5A FOR DET) SUPSD BY 153849-000-1 PRE SB 160-25-104	NP A C K L N	1
- 31A	153827-2		. HEADREST, ASSY (SEE FIG. 7 ITEM 5 FOR DET)	NP B E F G J K M Q	1
- 31B	153827-3		. HEADREST ASSY (SEE FIG. 7 ITEM 5B FOR DET)	NP D	1

- ITEM NOT ILLUSTRATED

**Zodiac Seats France**  
**COMPONENT MAINTENANCE MANUAL**  
**RL-SERIES**

FIG. ITEM	PART NUMBER	AIRLINE PART No.	NOMENCLATURE	USAGE CODE	UNITS PER ASSY
2B			1234567		
- 31C	153847-4		. HEADREST ASSY (SMOKE HOOD) (SEE FIG. 7 ITEM 5D FOR DET) SUPSD BY 153849-000-3 PRE SB 160-25-104	NP P	1
- 31D	153849-000-1		. CUSHION ASSY, HEADREST (SMOKE HOOD) (SEE FIG. 7 ITEM 5E FOR DET) SUPSDS 153847-3 POST SB 160-25-104	NP A C K L N R S T	1
- 31E	153849-000-3		. HEADREST ASSY (SMOKE HOOD) (SEE FIG. 7 ITEM 5G FOR DET) SUPSDS 153847-4 POST SB 160-25-104	NP P U V	1
45	504303-405-7468		. RESTRAINT SYSTEM ASSY (F227085) (DARK TURQUOISE)	35FB9 A	1
- 45A	2100018-13-245		. RESTRAINT SYSTEM ASSY (F241067) (CLASSY GRAY)	45402 B	1
- 45B	504303-405-2253		. RESTRAINT SYSTEM ASSY (F262081) (MEDIUM BLUE)	35FB9 C	1
- 45C	4005-1-011-9001		. RESTRAINT SYSTEM ASSY (F262081) (INDIGO BLUE)	35FB9 D	1
- 45D	4005-1-011-2258		. RESTRAINT SYSTEM ASSY (F262136) (MIDNIGHT BLUE)	35FB9 E	1
- 45E	4005-1-011-9006		. RESTRAINT SYSTEM ASSY (F262086) (PEPPERDUST)	35FB9 F L U	1
- 45F	4005-1-011-8026		. RESTRAINT SYSTEM ASSY (F262161) (DARK GRAY)	35FB9 G	1
- 45G	4005-1-011-2253		. RESTRAINT SYSTEM ASSY (F262212) (MEDIUM BLUE)	35FB9 H J	1
- 45H	4005-1-011-3294		. RESTRAINT SYSTEM ASSY (F262472) (BLACK BLUE)	35FB9 K	1
- 45J	4005-1-011-8016		. RESTRAINT SYSTEM ASSY (F262332) (SILVER GRAY)	35FB9 M	1

- ITEM NOT ILLUSTRATED

**25-11-79**

Page 10002B-3  
Jul 23/18

**Zodiac Seats France**  
**COMPONENT MAINTENANCE MANUAL**  
**RL-SERIES**

FIG. ITEM	PART NUMBER	AIRLINE PART No.	NOMENCLATURE	USAGE CODE	UNITS PER ASSY
2B					
- 45K	504303-405-9006		. RESTRAINT SYSTEM ASSY (FRT2462) (PEPPERDUST)	35FB9 P	1
- 45L	4005-1-011-2256		. RESTRAINT SYSTEM ASSY (F262136) (NAVY BLUE)	35FB9 Q T	1
- 45M	4005-1-021-2271		. RESTRAINT SYSTEM ASSY (F0407662) (TAN)	35FB9 R	1
- 45N	4005-1-021-9006		. RESTRAINT SYSTEM ASSY (F262959) (PEPPERDUST)	35FB9 V	1
- 45P	4005-1-021-8026		. RESTRAINT SYSTEM ASSY (F0407664) (DARK GREY)	35FB9 S	1

- ITEM NOT ILLUSTRATED

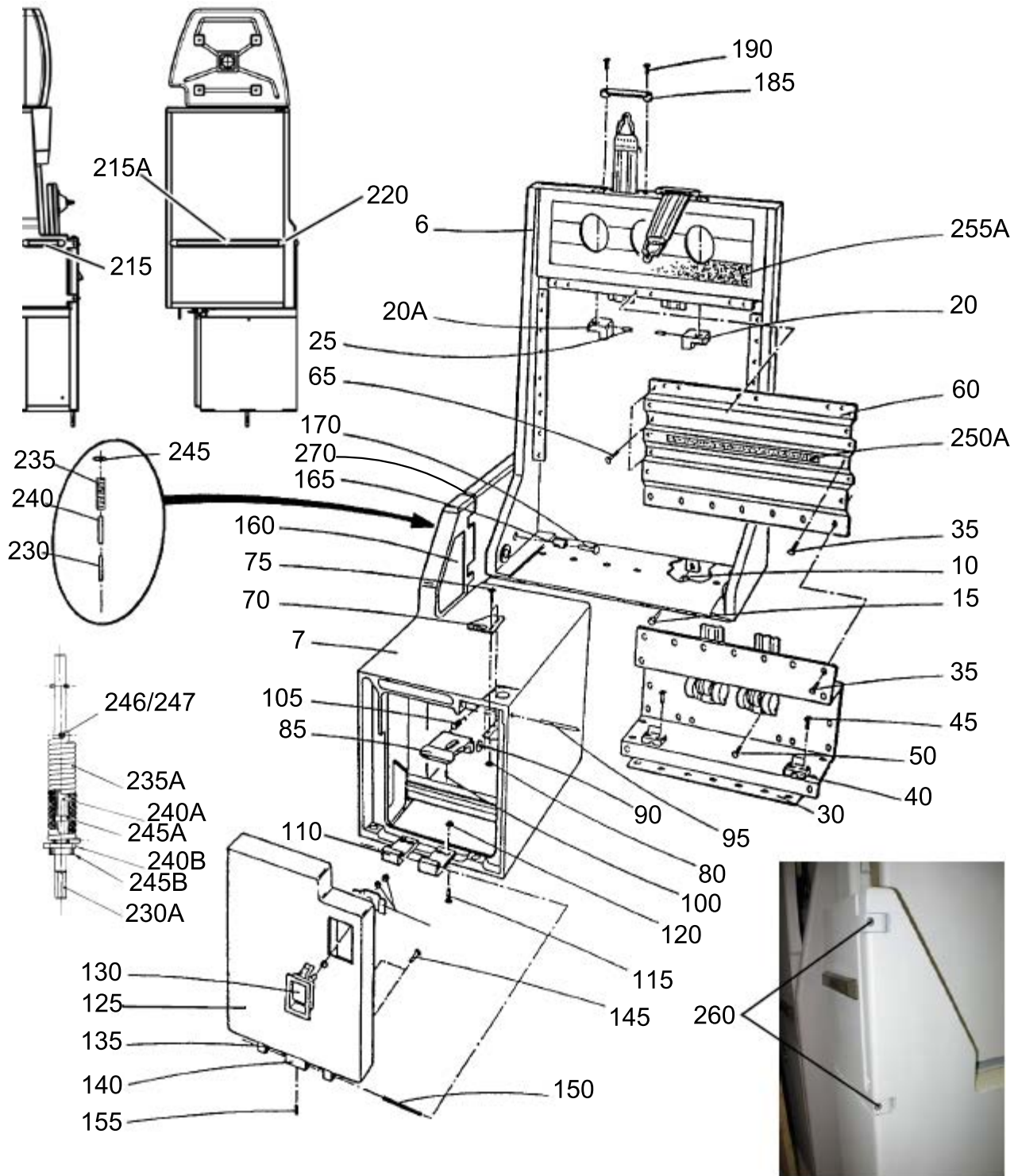
**25-11-79**

Page 10002B-4  
Jul 23/18

**Zodiac Seats France**  
**COMPONENT MAINTENANCE MANUAL**  
**RL-SERIES**

THIS PAGE INTENTIONALLY LEFT BLANK

**Zodiac Seats France**  
**COMPONENT MAINTENANCE MANUAL**  
**RL-SERIES**



**STRUCTURE ASSEMBLY**

Figure 3/GRAPHIC-25-11-79-991-803-A01

**25-11-79**

Page 10003-0  
 Jul 23/18

**Zodiac Seats France**  
**COMPONENT MAINTENANCE MANUAL**  
**RL-SERIES**

FIG. ITEM	PART NUMBER	AIRLINE PART No.	NOMENCLATURE	USAGE CODE	UNITS PER ASSY
			1234567		
3					
- 1	RL145		STRUCTURE ASSEMBLY SEE FIG. 1A FOR NHA SEE FIG. 1B FOR NHA SEE FIG. 1C FOR NHA SEE FIG. 1D FOR NHA	NP A	RF
- 1A	RL175		STRUCTURE ASSEMBLY SEE FIG. 1 FOR NHA	NP B	RF
- 1B	RL147		STRUCTURE ASSEMBLY SEE FIG. 1A FOR NHA SEE FIG. 1B FOR NHA SEE FIG. 1D FOR NHA	C	RF
- 1C	RL146		STRUCTURE ASSEMBLY SEE FIG. 1A FOR NHA SEE FIG. 1B FOR NHA	D	RF
- 1D	RL148		STRUCTURE ASSEMBLY SEE FIG. 1A FOR NHA	E	RF
- 1E	RL163		STRUCTURE ASSEMBLY SEE FIG. 1B FOR NHA	NP F	RF
- 1F	RL164		STRUCTURE ASSEMBLY SEE FIG. 1B FOR NHA SEE FIG. 1D FOR NHA	NP G	RF
- 1G	RL165		STRUCTURE ASSEMBLY SEE FIG. 1B FOR NHA	NP H	RF
- 1H	RL166		STRUCTURE ASSEMBLY SEE FIG. 1B FOR NHA	NP J	RF
- 1J	RL110		STRUCTURE ASSEMBLY SEE FIG. 1D FOR NHA	K	RF
- 1K	RL118		STRUCTURE ASSEMBLY SEE FIG. 1D FOR NHA	L	RF
- 5	153106-3PXX		. GENERAL STRUCTURE ASSY	A C G K L	1
- 5A	153106-9PXX		. GENERAL STRUCTURE ASSY	B	1
- 5B	153106-5PXX		. GENERAL STRUCTURE ASSY	D H	1
- 5C	153106-6PXX		. GENERAL STRUCTURE ASSY	E	1
- 5D	153102-16PXX		. GENERAL STRUCTURE ASSY	F J	1
6	153313PXX		.. BACKREST ASSY	A C G K L	1
- 6A	153301PXX		.. BACKREST ASSY	B	1
- 6B	153314PXX		.. BACKREST ASSY	D H	1
- 6C	153315PXX		.. BACKREST ASSY	E	1
- 6D	153317PXX		.. BACKREST ASSY	F J	1
7	153116-5PXX		.. BASE ASSY		1
- 8	RIL21217ID3209		... RIVET (F294185)		12
- 8A	POPTLPK435BS		... RIVET (F058100)		8

- ITEM NOT ILLUSTRATED

**Zodiac Seats France**  
**COMPONENT MAINTENANCE MANUAL**  
**RL-SERIES**

FIG. ITEM	PART NUMBER	AIRLINE PART No.	NOMENCLATURE	USAGE CODE	UNITS PER ASSY
3			1234567		
- 8B	NAS514P1032-7		... SCREW (VIAN514P10327) (F000640)	80205	18
10	MS35650-302		. NUT (ECMS35650302) (F006591)	96906	1
15	153110		. SCREW (F073799)		1
20	153300-10PXX		. STOP SUPPORT(RH)		1
20A	153300-09PXX		. STOP SUPPORT(LH)		1
25	QUNLM302-08		. BALL SCREW (F068993)		2
30	153308-1PXX		. REEL SUPPORT EQUIPPED	A B C G K L	1
- 30A	153309-1PXX		. REEL SUPPORT EQUIPPED	D H	1
- 30B	153308-3PXX		. REEL SUPPORT EQUIPPED	E	1
- 30C	153308-4PXX		. REEL SUPPORT EQUIPPED	F G	1
35	NAS514P832-6		. SCREW (VINAS514P8326) (F000655)	80205	14
40	153109PXX		. SUPPORT, SPRING		2
45	NAS514P832-12		. SCREW (VINAS514P83212) (F000661)	80205	4
50	NAS514P1032-8		. SCREW (VIAN514P10328)	80205	8
- 55	NAS1149F0332P		. WASHER (ROAN96010L) (F264961)	80205	A B C G K L 8
60	153300-03PXX		. BACKREST SHEET METAL ATTACHING PARTS		1
65	NAS602-7		. SCREW (VINAS6027) (F001149) * * *	80205	12
70	153116-04PXX		. STAPLE ATTACHING PARTS		1
75	NAS602-6		. SCREW (VINAS6026) (F000656)	80205	2
80	F22NTM82		. NUT (ECF22NTM82) (F014933) * * *	72962	2
85	153112		. LEVER (F073801)		1

- ITEM NOT ILLUSTRATED

**Zodiac Seats France**  
**COMPONENT MAINTENANCE MANUAL**  
**RL-SERIES**

FIG. ITEM	PART NUMBER	AIRLINE PART No.	NOMENCLATURE	USAGE CODE	UNITS PER ASSY
3			1234567		
90	R0ZU3		. ATTACHING PARTS . WASHER (F031648)		1
95	153111		. SHAFT, LEVER (F073800)		1
100	AN565A440H2		. SCREW (VIAN565A440H2) (F061342)	88044	1
105	125-500-07		. SPRING (F030595) * * *		1
110	153400-01PXX		. HINGE ATTACHING PARTS		2
115	NAS514P832-10		. SCREW (VINAS514P83210) (F000632)	80205	4
120	F22NTM82		. NUT (ECF22NTM82) (F014933) * * *	72962	4
125	153406PXX		. DOOR EQUIPPED,LIFE VEST STOWAGE		1
130	VE64-10-116-50		. LOCK ASSY (F050005)		1
135	153400-02		. BRIDLE (F073900)		2
140	153400-03PXX		. CENTRAL DOOR HINGE ATTACHING PARTS		1
145	MS27039-08-4		. SCREW (VIMS27039084)	96906	6
150	153500-07		. SHAFT, DOOR (F073914)		1
155	AN565A440H2		. SCREW (VIAN565A440H2) (F061342) * * *	88044	1
160	153113		. PROTECTION PLATE (F073802)		1
165	150500-09		. SPACER (F065829)	A B C G K L	2
170	AN4-6A		. SCREW (VIAN46A) (F000610)	88044	2
- 175	150110		. HEADREST DRIVE (F064881)		2

- ITEM NOT ILLUSTRATED

**25-11-79**

Page 10003-3  
Jul 23/18

**Zodiac Seats France**  
**COMPONENT MAINTENANCE MANUAL**  
**RL-SERIES**

FIG. ITEM	PART NUMBER	AIRLINE PART No.	NOMENCLATURE	USAGE CODE	UNITS PER ASSY
3			1234567		
- 180	NAS517-2-0		. SCREW (VINAS51720) (F000671)	80205	2
185	150105PXX		. STRAP GUIDE	A B C G K L	2
190	NAS514P632-8		. SCREW (VINAS514P6328) (F000631)	80205	A B C G K L 4
- 195	153240		. BUMPER ASSY (F073842) (GREY)	NP	C J 1
- 195B	153262		. BUMPER ASSY (F241353) (GREY)	NP	G H 1
- 195C	153263		. BUMPER ASSY (F262352) (LIGHT GREY)	NP	K 1
- 195D	F0451580		. BUMPER ASSY (FOG)	NP	L 1
- 200	153240-01		.. BUMPER EQUIPPED (F073843) (GREY)		C G H J 1
- 200A	153240-06		.. BUMPER EQUIPPED (F226537) (GREY)		C J 1
- 200B	153240-06		.. BUMPER EQUIPPED (F226537) (GREY)		G H 2
- 200C	153241		.. BUMPER EQUIPPED (F262353) (LIGHT GREY)		K 1
- 200D	153242		.. BUMPER EQUIPPED (F262357) (LIGHT GREY)		K 2
- 200E	F0452625		.. BUMPER EQUIPPED (FOG)		L 1
- 200F	F0452624		.. BUMPER EQUIPPED (FOG)		L 1
- 205	ADDF19		... SUPPORT,ADHESIVE (F296358)		C G H J K L 2
- 210	153240-02		... BUMPER SUPPORT (F073844) (SIDE)		C G H J 1
- 210A	153240-04		... BUMPER SUPPORT (F073846)		C G H J 1
- 210B	153241-01		... BUMPER SUPPORT (F262354)		K 1

- ITEM NOT ILLUSTRATED

**25-11-79**

Page 10003-4  
Jul 23/18

**Zodiac Seats France**  
**COMPONENT MAINTENANCE MANUAL**  
**RL-SERIES**

FIG. ITEM	PART NUMBER	AIRLINE PART No.	NOMENCLATURE	USAGE CODE	UNITS PER ASSY
3			1234567		
- 210C	153242-01		... BUMPER SUPPORT (F262358)	K	1
- 210D	F0452633		... BUMPER SUPPORT	L	1
- 210E	F0452634		... BUMPER SUPPORT	L	1
215	153240-03		... BUMPER LUG (F073845)	C G H J	1
215A	153240-05		... BUMPER LUG (F073847)	C G H J	1
- 215B	153241-02		... BUMPER LUG (F262355)	K	1
- 215C	153242-02		... BUMPER LUG (F262359)	K	1
- 215D	F0452628		... BUMPER LUG	L	1
- 215E	F0452629		... BUMPER LUG	L	1
220	151240-03		... BUMPER END (F066681)	C G H J	2
- 220A	160241-03		... BUMPER END (F262375)	K	2
			(FULLY ALTERNATE WITH ITEM -220C)		
			SUPSD BY STI031-002-01		
- 220B	STI031-002-01		... BUMPER END (F262560)	K	2
			(FULLY ALTERNATE WITH ITEM -220B)		
			SUPSDS 160241-03 (STI-031-002-01)		
- 220C	F0432879		... BUMPER END	L	2
- 225	RITY8P2N0IR		... RIVET (F029807)	C G H J L	4
- 225A	RITY8P2N0IR		... RIVET (F029807)	C G H J L	5
- 225B	RITY8P2N0IR		... RIVET (F029807)	K	1
- 226	RI062314850901		... RIVET, PLASTIC (F029970)	K	2
- 227	VELVEL16-315A		... VELCRO, LOOP SUPSD BY AAVEL16-315A	K	1
- 227A	AAVEL16-315A		... AUTO AGRIP, LOOP (F096682)	K	1
			(LENGTH 50) SUPSDS VELVEL16-315A		
- 228	VELVEL16-315A		... VELCRO, LOOP SUPSD BY AAVEL16-315A	K	2

- ITEM NOT ILLUSTRATED

**Zodiac Seats France**  
**COMPONENT MAINTENANCE MANUAL**  
**RL-SERIES**

FIG. ITEM	PART NUMBER	AIRLINE PART No.	NOMENCLATURE	USAGE CODE	UNITS PER ASSY
3			1234567		
- 228A	AAVEL16-315A		... AUTO AGRIP, LOOP (F096682) (LENGTH 145) SUPSDS VELVEL16-315A	K	2
230	153500-06		. SHAFT (OLD VERSION) (F073913) (OLD VERSION) (ORIGINAL PN 3475-00-006) PRE SB 153-25-068		1
230A	153500-15		. SHAFT (NEW VERSION) (F307371) (NEW VERSION) POST SB SB153-25-068		1
235	153500-03		. SPRING (OLD VERSION) (F073920) (OLD VERSION) (ORIGINAL PN 3475-00-008) PRE SB 153-25-068	NP	1
235A	183100-160-2		. SPRING (NEW REVISION) (F287517) (NEW VERSION) POST SB SB153-25-068		1
240	153500-04		. GUIDE (OLD VERSION) (F073911) (OLD VERSION) (ORIGINAL PN 3475-00-007) PRE SB 153-25-068		1
240A	153500-14		. UPPER GUIDE (NEW VERSION) (F307370) (NEW VERSION) POST SB SB153-25-068		1
240B	153500-12		. LOWER GUIDE (NEW VERSION) (F307368) (NEW VERSION) POST SB SB153-25-068		1
245	153500-02		. WASHER (OLD VERSION) (F073910) (OLD VERSION) PRE SB 153-25-068		1
245A	153500-13		. BUSHING, NYLON (NEW VERSION) (F307369) (NEW VERSION) POST SB SB153-25-068		1

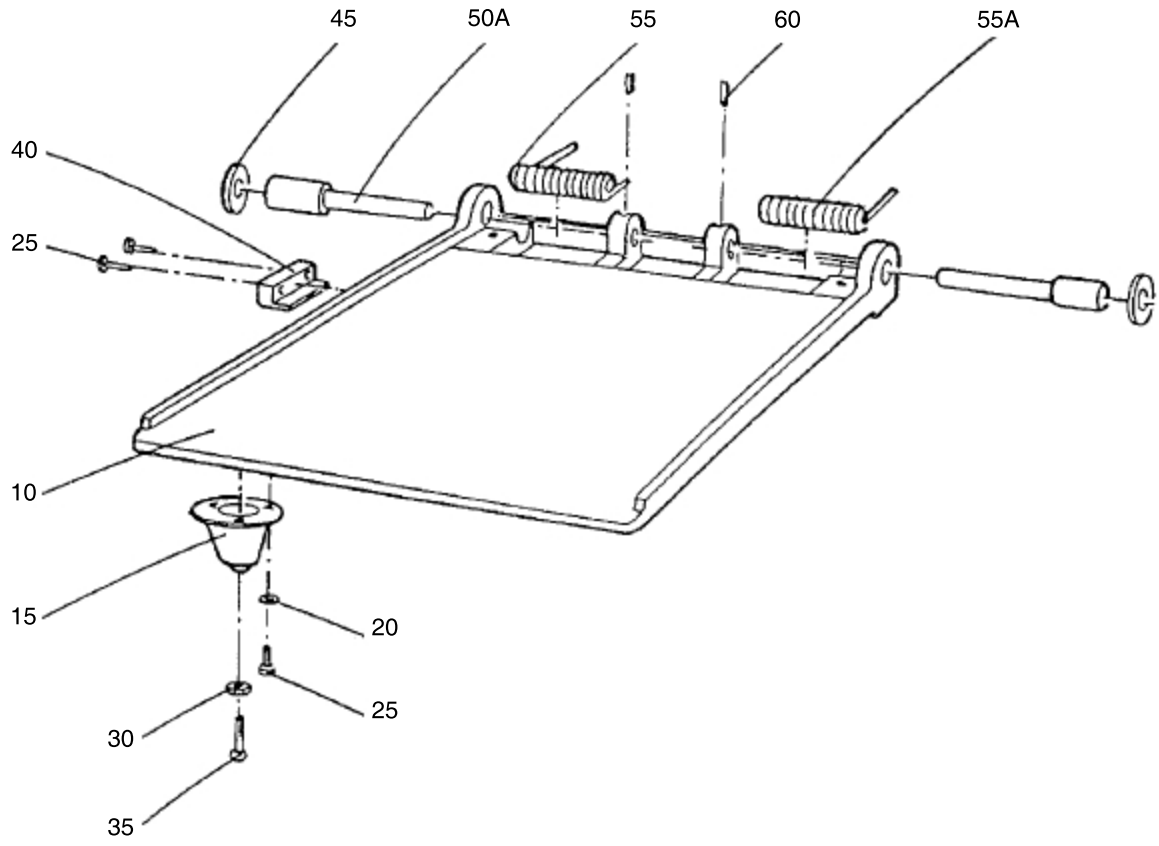
- ITEM NOT ILLUSTRATED

**Zodiac Seats France**  
**COMPONENT MAINTENANCE MANUAL**  
**RL-SERIES**

FIG. ITEM	PART NUMBER	AIRLINE PART No.	NOMENCLATURE	USAGE CODE	UNITS PER ASSY
3			1234567		
245B	183100-165-0		. SHIM (NEW VERSION) (F307372) (NEW VERSION) POST SB SB153-25-068		1
246	GPMECAE4X25		. PIN (F020740) (BOTH VERSIONS)		3
247	GPMECAE2-5X25		. PIN (F071198) (BOTH VERSIONS)		1
- 250	VELCR025-10A		. VELCRO, HOOK SUPSD BY AACR025-10A		1
250A	AACR025-10A		. AUTO AGRIP, LOOP (F091027) (LENGTH 1680) (COLOR WHITE) SUPSDS VELCR025-10A		1
- 255	VELCR050-10A		. VELCRO, HOOK SUPSD BY AACR050-10A		1
255A	AACR050-10A		. AUTO AGRIP,HOOK (LENGTH 820) (COLOR WHITE) SUPSDS VELCR050-10A		1
260	NAS514P1032-6		. SCREW (VINAS514P10326) (F007161)	80205	2
- 265	160100-61		. PLATE, TEFLON (F262670)	A B C E F G J K L	2
270	153114PXX		. CONNECTOR COVER		1

- ITEM NOT ILLUSTRATED

**Zodiac Seats France**  
**COMPONENT MAINTENANCE MANUAL**  
**RL-SERIES**



**BOTTOM EQUIPPED AND FIXING**  
Figure 4/GRAPHIC-25-11-79-991-804-A01

**Zodiac Seats France**  
**COMPONENT MAINTENANCE MANUAL**  
**RL-SERIES**

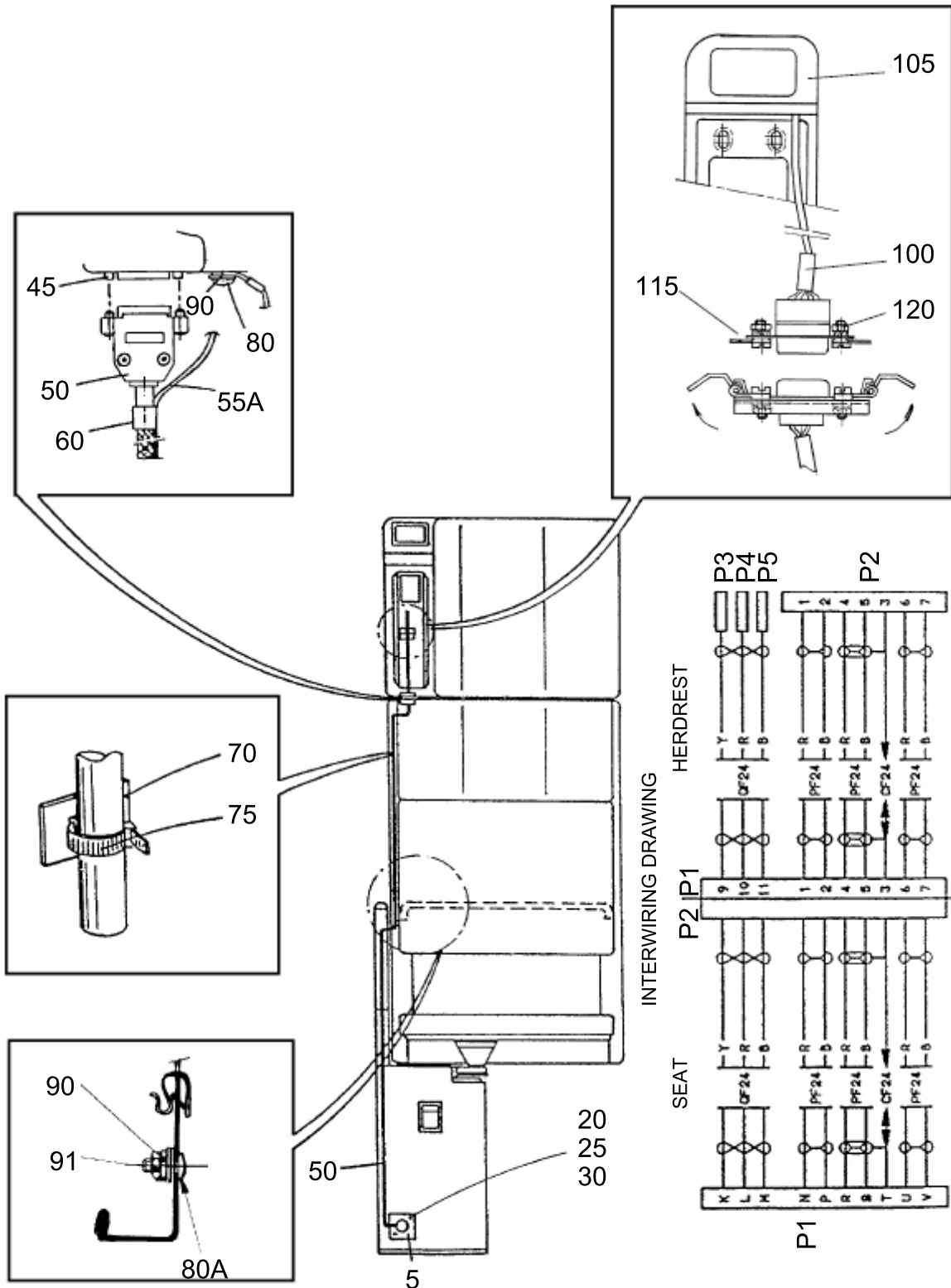
FIG. ITEM	PART NUMBER	AIRLINE PART No.	NOMENCLATURE	USAGE CODE	UNITS PER ASSY
			1234567		
4					
- 1	RL137		BOTTOM EQUIPPED AND FIXING SEE FIG. 1 FOR NHA SEE FIG. 1A FOR NHA SEE FIG. 1B FOR NHA SEE FIG. 1C FOR NHA SEE FIG. 1D FOR NHA	NP	RF
- 5	153200PXX		. BOTTOM EQUIPPED		1
10	153201PXX		.. BOTTOM ASSY		1
15	153200-01PXX		.. BOTTOM SUPPORT ATTACHING PARTS		1
20	NAS1149F0363P		.. WASHER (R0AN96010)	80205	3
25	147102VI14		.. SCREW (VI147102VI14) (F275970)		5
30	AN316-4R		.. NUT (ECAN3164R) (F000721)	88044	1
35	153200-02		.. SCREW (F073828) * * *		1
40	153200-04		.. STOP (F276252) (INTERCHANGEABLE WITH PN 153200-03)		1
45	153500-08		. WASHER (R015350008) (F073915)		2
- 50	153500-05		. SHAFT (F073912) SUPSD BY 150500-05		2
50A	150500-05		. SHAFT (F065806) SUPSDS 153500-05		2
55	153500-10		. SPRING (F073922)		1
55A	153500-09		. SPRING (F073921) ATTACHING PARTS		1
60	AN565A632H3		. SCREW (VIAN565A632H3) (F030579) * * *	88044	2

- ITEM NOT ILLUSTRATED

**25-11-79**

Page 10004-1  
Jul 23/18

**Zodiac Seats France**  
**COMPONENT MAINTENANCE MANUAL**  
**RL-SERIES**



INTERCOM HANDSET INSTALLATION  
 Figure 5/GRAPHIC-25-11-79-991-805-A01

**Zodiac Seats France**  
**COMPONENT MAINTENANCE MANUAL**  
**RL-SERIES**

FIG. ITEM	PART NUMBER	AIRLINE PART No.	NOMENCLATURE	USAGE CODE	UNITS PER ASSY
5			1234567		
- 1	RL149		INTERCOM HANDSET INSTALLATION SEE FIG. 1A FOR NHA SEE FIG. 1B FOR NHA SEE FIG. 1C FOR NHA SEE FIG. 1D FOR NHA	NP	RF
5	153117PXX		. CONNECTOR SUPPORT ATTACHING PARTS		1
- 10	AN3-3A		. SCREW (VIAN33A) (F001175)	88044	2
- 15	NAS1149F0332P		. WASHER (R0NAS1149F0332P) SUPSD BY NAS1149D0316K (F000761)	80205	2
- 15A	NAS1149D0316K		. WASHER (R0NAS1149D0316K) SUPSD BY NAS1149D0332K SUPSDS NAS1149F0332P (F000763)	80205	2
- 15B	NAS1149D0332K		. WASHER (R0AN960PD10L) SUPSDS NAS1149D0316K	80205	2
20	VITCM2X6		. SCREW (F213420)		4
25	R0ZU2		. WASHER (F213422)		4
30	ECM2		. NUT (F213421) * * *		4
- 40	153606		. ELECTRICAL HARNESS ASSY (F210201) SUPSD BY 150621	NP	1
- 40A	150621		. ELECTRICAL HARNESS ASSY (F241453W) SUPSD BY 153616 SUPSDS 153606	NP	1
- 40B	153616		. ELECTRICAL HARNESS ASSY (F335131) SUPSDS 150621		1
45	EE8630-01-060		.. LOCKING,FEMALE (F076516)		2
50	153605		.. LOWER HARNESS	NP	1
- 55	153604		.. RETAINING CABLE (F210100) SUPSD BY 150615		1

- ITEM NOT ILLUSTRATED

**25-11-79**

Page 10005-1  
Jul 23/18

**Zodiac Seats France**  
**COMPONENT MAINTENANCE MANUAL**  
**RL-SERIES**

FIG. ITEM	PART NUMBER	AIRLINE PART No.	NOMENCLATURE	USAGE CODE	UNITS PER ASSY
5			1234567		
- 55A	150615		.. CABLE, RETAINING (F210098) SUPSDS 153604		1
60	150613		.. SLEEVE ATTACHING PARTS	NP	6
- 65	R0ZU3		.. WASHER (F031648)		2
70	EELKCRNATUREL		.. TIE-WRAP PLASTIC BASE (F229268)		11
75	C0PLT1MM		.. TIE-WRAP (F212216) TRUE P/N C0PLT1M-M		11
80	NAS602-8		.. SCREW (VINAS6028) (F000653)	80205	1
80A	NAS602-7		.. SCREW (VINAS6027) (F001149)	80205	1
90	NAS1149FN832P		.. WASHER (R0AN9608) (F000773)	80205	3
91	F22NM82		.. NUT (ECF22NM82) * * *	72962	1
- 95	150617		. INTERCOM SUPPORT EQUIPPED	NP	1
100	150603		.. HEADREST, CABLE (F066023)		1
105	150616PXX		.. INTERCOM SUPPORT		1
115	EED110278		.. LOCKING LEVER KIT (F275909)		2
120	R0ZU3		.. WASHER (F031648)		2

- ITEM NOT ILLUSTRATED

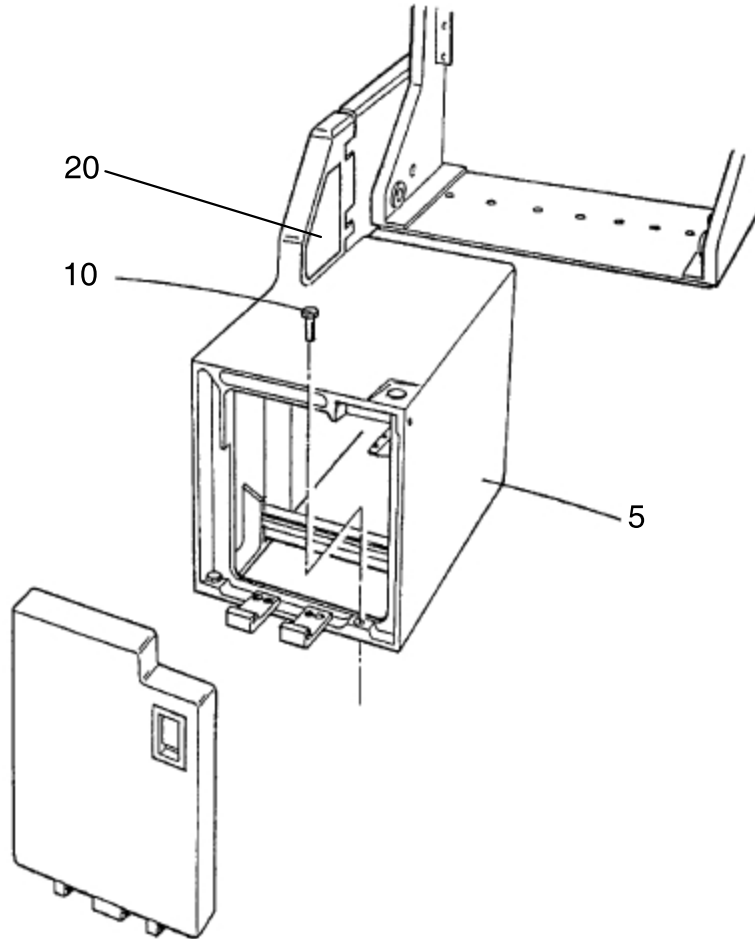
**25-11-79**

Page 10005-2  
Jul 23/18

**Zodiac Seats France**  
**COMPONENT MAINTENANCE MANUAL**  
**RL-SERIES**

THIS PAGE INTENTIONALLY LEFT BLANK

**Zodiac Seats France**  
**COMPONENT MAINTENANCE MANUAL**  
**RL-SERIES**



**SEAT ATTACHMENT**

Figure 6/GRAPHIC-25-11-79-991-806-A01

**25-11-79**

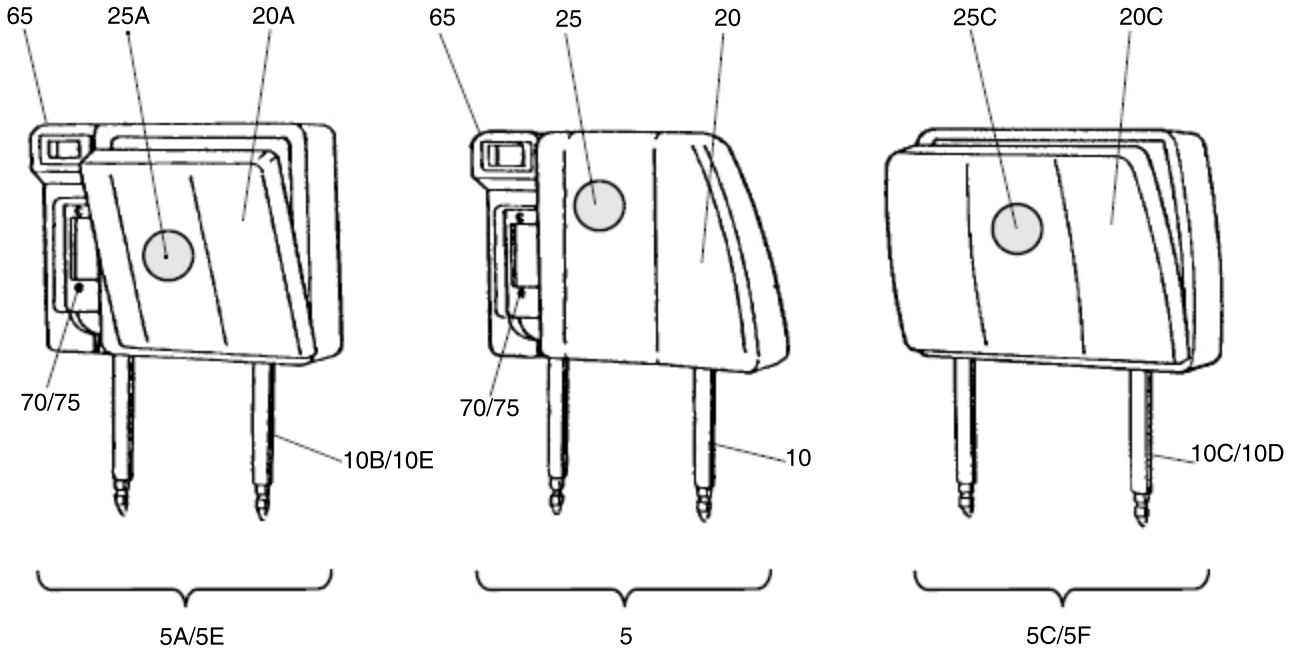
Page 10006-0  
Jul 23/18

**Zodiac Seats France**  
**COMPONENT MAINTENANCE MANUAL**  
**RL-SERIES**

FIG. ITEM	PART NUMBER	AIRLINE PART No.	NOMENCLATURE	USAGE CODE	UNITS PER ASSY
			1234567		
6					
- 1	RL150		SEAT ATTACHMENT SEE FIG. 1A FOR NHA SEE FIG. 1B FOR NHA SEE FIG. 1C FOR NHA SEE FIG. 1D FOR NHA	NP A	RF
- 1A	RL138		SEAT ATTACHMENT SEE FIG. 1 FOR NHA	NP B	RF
- 1B	RL151		SEAT ATTACHMENT SEE FIG. 1A FOR NHA SEE FIG. 1B FOR NHA	NP C	RF
- 1C	RL152		SEAT ATTACHMENT SEE FIG. 1A FOR NHA	NP D	RF
- 1D	RL167		SEAT ATTACHMENT SEE FIG. 1B FOR NHA	NP E	RF
5	153106-3PXX		. GENERAL STRUCTURE ASSY	A	1
- 5A	153106-6PXX		. GENERAL STRUCTURE ASSY	B	1
- 5B	153106-4PXX		. GENERAL STRUCTURE ASSY	C	1
- 5C	153106-5PXX		. GENERAL STRUCTURE ASSY	D	1
- 5D	153106-8PXX		. GENERAL STRUCTURE ASSY	E	1
			ATTACHING PARTS		
10	NAS1306-21		. SCREW (VINAS130621)	D8518	4
- 15	NAS1306-30		. SCREW (VINAS130630) * * *	D8518	2
20	153113		. PROTECTION PLATE (F073802)		1

- ITEM NOT ILLUSTRATED

Zodiac Seats France  
COMPONENT MAINTENANCE MANUAL  
RL-SERIES



HEADREST ASSEMBLY  
Figure 7/GRAPHIC-25-11-79-991-807-A01

**Zodiac Seats France**  
**COMPONENT MAINTENANCE MANUAL**  
**RL-SERIES**

FIG. ITEM	PART NUMBER	AIRLINE PART No.	NOMENCLATURE	USAGE CODE	UNITS PER ASSY
7			1234567		
- 1	RL153		HEADREST ASSEMBLY SEE FIG. 1A FOR NHA SEE FIG. 1B FOR NHA SEE FIG. 1C FOR NHA SEE FIG. 1D FOR NHA	NP A	RF
- 1A	RL154		HEADREST ASSEMBLY SEE FIG. 1A FOR NHA SEE FIG. 1B FOR NHA SEE FIG. 1C FOR NHA SEE FIG. 1D FOR NHA	NP B	RF
- 1B	RL155		HEADREST ASSEMBLY SEE FIG. 1D FOR NHA	NP C	RF
- 1C	RL139		HEADREST ASSEMBLY SEE FIG. 1 FOR NHA	NP D	RF
- 1D	RL156		HEADREST ASSEMBLY WITH BUMPER SEE FIG. 1A FOR NHA SEE FIG. 1D FOR NHA	NP E	RF
- 1E	RL119		HEADREST ASSEMBLY WITH BUMPER SEE FIG. 1D FOR NHA	NP F	RF
- 1F	RL176		HEADREST ASSEMBLY SEE FIG. 1A FOR NHA	NP G	RF
5	153827-2		. HEADREST, ASSY (SEE FIG. 2A ITEM 31 FOR NHA) (SEE FIG. 2B ITEM 31A FOR NHA)	NP A	1
5A	153847-3		. CUSHION ASSY, HEADREST (SMOKE HOOD) (SEE FIG. 2A ITEM 31A FOR NHA) (SEE FIG. 2B ITEM 31 FOR NHA) SUPSD BY 153849-000-1 PRE SB 160-25-104	NP B C	1
- 5B	153827-3		. HEADREST ASSY (SEE FIG. 2A ITEM 31B FOR NHA) (SEE FIG. 2B ITEM 31B FOR NHA)	NP G	1
5C	153812		. HEADREST ASSY (F209935) (SEE FIG. 2 ITEM 35 FOR NHA) SUPSD BY 153818-000-0 PRE SB 160-25-104	NP D	1
- 5D	153847-4		. HEADREST ASSY (SMOKE HOOD) (SEE FIG. 2B ITEM 31C FOR NHA) SUPSD BY 153849-000-3 PRE SB 160-25-104	NP E	1

- ITEM NOT ILLUSTRATED

**Zodiac Seats France**  
**COMPONENT MAINTENANCE MANUAL**  
**RL-SERIES**

FIG. ITEM	PART NUMBER	AIRLINE PART No.	NOMENCLATURE	USAGE CODE	UNITS PER ASSY
7					
- 5E	153849-000-1		. HEADREST, ASSY (F350191) (SMOKE HOOD) (SEE FIG. 2A ITEM 31C FOR NHA) (SEE FIG. 2B ITEM 31D FOR NHA) SUPSDS 153847-3 POST SB 160-25-104	NP C	1
5F	153818-000-0		. HEADREST ASSY (F350227) (SMOKE HOOD) (SEE FIG. 2 ITEM 35A FOR NHA) SUPSDS 153812	NP D	1
- 5G	153849-000-3		. HEADREST ASSY (SMOKE HOOD) (SEE FIG. 2B ITEM 31E FOR NHA) SUPSDS 153847-4 POST SB 160-25-104	NP E	1
- 5H	F0452636		. HEADREST ASSY (SMOKE HOOD)	NP F	1
10	153827-06PXX		.. STRUCTURE, HEADREST	A G	1
- 10A	153847-31PXX		.. STRUCTURE, HEADREST (SMOKE HOOD) SUPSD BY 153847-30PXX	NP B C E	1
10B	153847-30PXX		.. STRUCTURE, HEADREST (SMOKE HOOD) SUPSD BY 153849-100-1PXX SUPSDS 153847-31PXX PRE SB 160-25-104	B C E	1
10C	153812-1PXX		.. STRUCTURE, HEADREST SUPSD BY 153818-100-0PXX PRE SB 160-25-104	D	1
10D	153818-100-0PXX		.. STRUCTURE, HEADREST (SMOKE HOOD) SUPSDS 153812-1PXX POST SB 160-25-104	D	1
10E	153849-100-1PXX		.. STRUCTURE, HEADREST (SMOKE HOOD) SUPSDS 153847-30PXX POST SB 160-25-104	B C E F	1
- 15	153747-02CXX		.. COVERED CUSHION, HEADREST	NP	1
- 15A	153712CXX		.. COVERED CUSHION, HEADREST	D	1
20	153727-01CXX		.. COVER, HEADREST	A	1
20A	153747-01CXX		.. COVER, HEADREST	B C E F	1
- 20B	153727-06CXX		.. HEADREST COVER	G	1
20C	153712-5CXX		.. COVER, HEADREST	D	1
25	153727-19		.. FOAM, HEADREST (F094081)	A	1

- ITEM NOT ILLUSTRATED

**Zodiac Seats France**  
**COMPONENT MAINTENANCE MANUAL**  
**RL-SERIES**

FIG. ITEM	PART NUMBER	AIRLINE PART No.	NOMENCLATURE	USAGE CODE	UNITS PER ASSY
7			1234567		
25A	153747-05		.. FOAM, HEADREST (F074118)	B C E F	1
- 25B	153727-21		.. HEADREST CUSHION EQUIPPED (F095828)	G	1
25C	153712-1		.. FOAM, HEADREST (F209951)	D	1
- 30	153847-11		.. BUMPER ASSY (F226447)	E	2
- 30A	F0451581		.. BUMPER ASSY	F	2
- 35	153847-12		... BUMPER SUPPORT (F226446)	E	1
- 35A	F0452635		... BUMPER SUPPORT	F	1
- 40	153847-13		... BUMPER (F226445)	E	1
- 40A	F0452630		... BUMPER	F	1
- 45	153847-14		... BUMPER END (F226444)	E	2
- 45A	F0432879		... BUMPER END	F	2
- 46	ADDF19		... SUPPORT,ADHESIVE (F296358) (LENGTH 365)	F	1
- 50	POPTLPD440BS		.. RIVET, BLIND (F000301) (LENGTH 365)	E F	6
- 55	POPTAPD046BS		.. RIVET (F000444)	E F	4
- 60	VELVEL20-10		.. VELCRO, LOOP (AAVEL20-10) SUPSD BY AAVEL20-10 (F088946)	A	1
- 60A	AAVEL20-10		.. AUTO AGRIP, LOOP (F088946) (LENGTH 360) SUPSDS VELVEL20-10	A	1
- 60B	VELCR020-10		.. VELCRO,HOOK SUPSD BY AACR020-10	NP A	1
- 60C	AACR020-10		.. AUTO AGRIP, LOOP (F088972) (LENGTH 360) SUPSDS VELCR020-10	A	1
- 60D	VELVEL16-10		.. VELCRO, LOOP SUPSD BY AAVEL16-10	B C E G	1
- 60E	AAVEL16-10		.. AUTO AGRIP, LOOP (F088924) (LENGTH 1250) SUPSDS VELVEL16-10	B C E F G	1

- ITEM NOT ILLUSTRATED

**25-11-79**

Page 10007-3  
Jul 23/18

**Zodiac Seats France**  
**COMPONENT MAINTENANCE MANUAL**  
**RL-SERIES**

FIG. ITEM	PART NUMBER	AIRLINE PART No.	NOMENCLATURE	USAGE CODE	UNITS PER ASSY
			1234567		
7					
- 60F	VELVEL20-10		.. VELCRO, LOOP SUPSD BY AAVEL20-10	G	1
- 60G	AAVEL20-10		.. AUTO AGRIP, LOOP (F088946) (LENGTH 350) SUPSDS VELVEL20-10	G	1
- 60H	VELCR020-10		.. VELCRO,HOOK SUPSD BY AACR020-10	NP G	1
- 60J	AACR020-10		.. AUTO AGRIP, LOOP (F088972) (LENGTH 350) SUPSDS VELCR020-10	G	1
65	150616PXX		. INTERCOM SUPPORT (SEE FIG 5 ITEM 105 FOR NHA) ATTACHING PARTS	A B C E F G	1
70	NAS602-8		. SCREW (VINAS6028) (F000653)	80205 A B C E F G	2
75	NAS1149FN816P		. WASHER (R0AN9608L) (F001091) * * *	80205 A B C E F G	2

- ITEM NOT ILLUSTRATED

**25-11-79**

Page 10007-4  
Jul 23/18